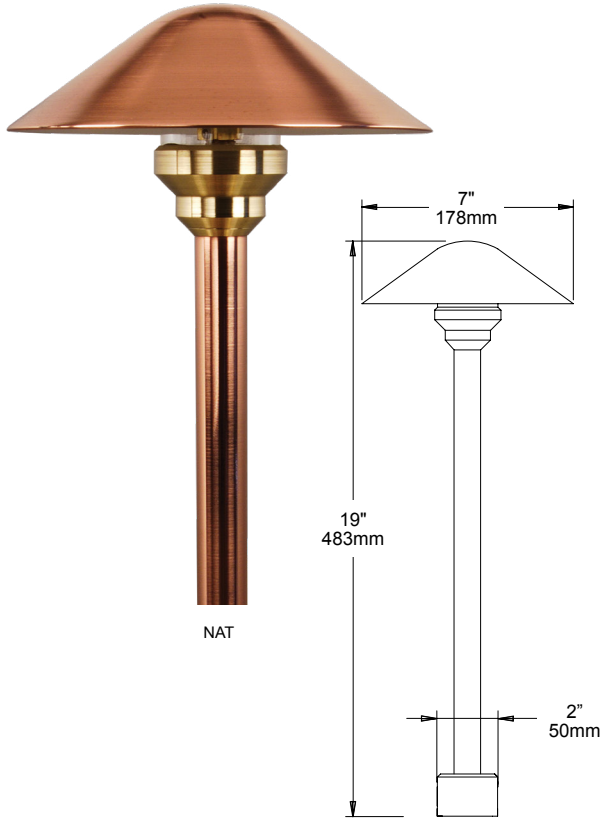


HPL7 ECLIPSE

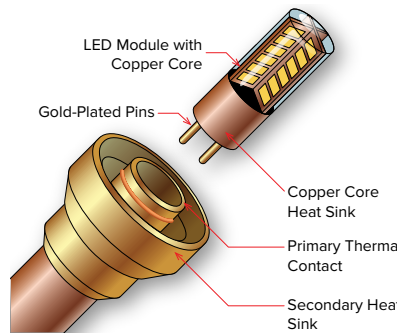


The **HPL7's** graceful styling offers the designer a flexible choice that complements any setting without competing with it. Innovative construction seamlessly integrates a white powder coated stainless steel reflector into a heavy gauge copper shade for a lifetime of service.

Every HPL series path light gives you a choice of a Thermally Integrated® Field Serviceable LED Module or a Halogen/Xelogen lamp. Using Copper Core™ Technology, the HPL LED module is specifically engineered to transfer heat away from the LED driver/circuit and dissipate throughout the luminaire, ensuring optimal performance, color consistency and long life!

Features include:

- Interchangeable LED Module in 2.5, 3.5 or 5 Watts
- 2700 or 3000K (CRI 80 typ.)
- Thermally Integrated® Field Serviceable LED Module
- TRIAC Dimming to <10% typ.
- 12 VAC Electronic or Magnetic Source Compatible
- Solid Copper and Brass Construction
- Patent Pending



LED hybrid HALOGEN

12V



COPPER CORE TECHNOLOGY™

ORDERING GUIDE: ^{Prefix} **HPL7** H (HYBRID) PL (PATH LIGHT) 7 (INCHES)

□ INDICATES REQUIRED FIELD ▭ INDICATES OPTIONAL FIELD

Auroralight LED Module	ACCESSORIES (Select One)	MOUNT	FINISH
[227] 2.5 Watts, 2700k	[180] 180° Directional Reflector™ *	[1/2] 1/2" Male Thread	[NAT] Natural
[230] 2.5 Watts, 3000k	[270] 270° Directional Reflector™ *	[G/S] Ground Stake (Default)	[BLP] Bronze Living Patina
[327] 3.5 Watts, 2700k	[ID] Internal Diffuser (Frosted)	[D/S] Deluxe Stake 9"	[BLP-XD] BLP Extra Dark
[330] 3.5 Watts, 3000k		[T/R-X] Trident Spike (9" or 12")	
[527] 5 Watts, 2700k		[P/B-S] Power Box w/ Stake (Inc. 60W 120-12V transformer)	
[530] 5 Watts, 3000k		[P/M] 4" Pedestal Mount	
		[SM3] 3 1/4" Surface Mount	
		[SM2] 2 1/4" Surface Mount	

* Visible light

[X] = Specify Length
NOTE: See Mount Guide for more options

Lumen Output Table

Wattage	Color	Lumens
2.5W	2700K	205lm
2.5W	3000K	212lm
3.5W	2700K	296lm
3.5W	3000K	301lm
5W	2700K	368lm
5W	3000K	384lm

