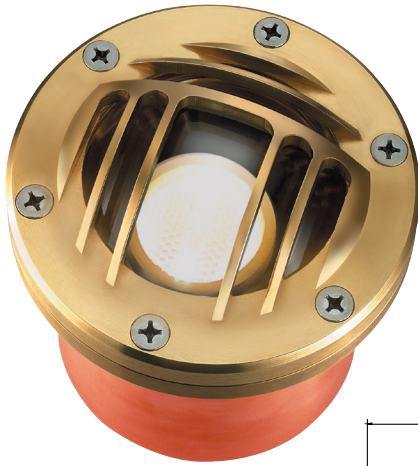


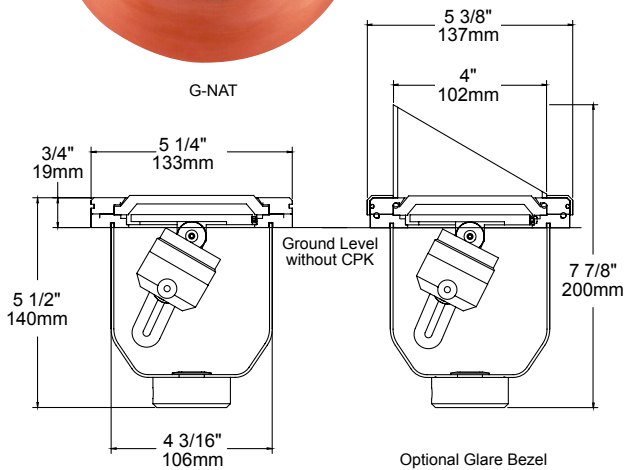
HWL11 LIGHTHAUS



The compact new **HWL11** is engineered around Auroralight's interchangeable LED module to deliver brilliant LED performance in a small package. Featuring significantly increased aiming capability allowing a full 45° of tilt onto the horizon with 360° of rotation. It has the ability to regress the light source 2" below the lens for increased glare control and visual comfort.

Features include:

- Interchangeable LED Module in 2, 4 or 6 Watts
- Up to 325 lumens
- Cree XLAMP® High Intensity (XP-L) LED
- Interchangeable UV & Shock Resistant Silicone Optic
- 2700, 3000 or 4000K (CRI 80 typ.)
- Thermally Integrated® and Field Serviceable LED Module
- 4 Faceplate Options
- TRIAC Dimming to <10% typ.
- 12 VAC Electronic or Magnetic
- Drive-over Rated up to 6,000 lbs.
- Solid Copper Body with Brass Faceplate



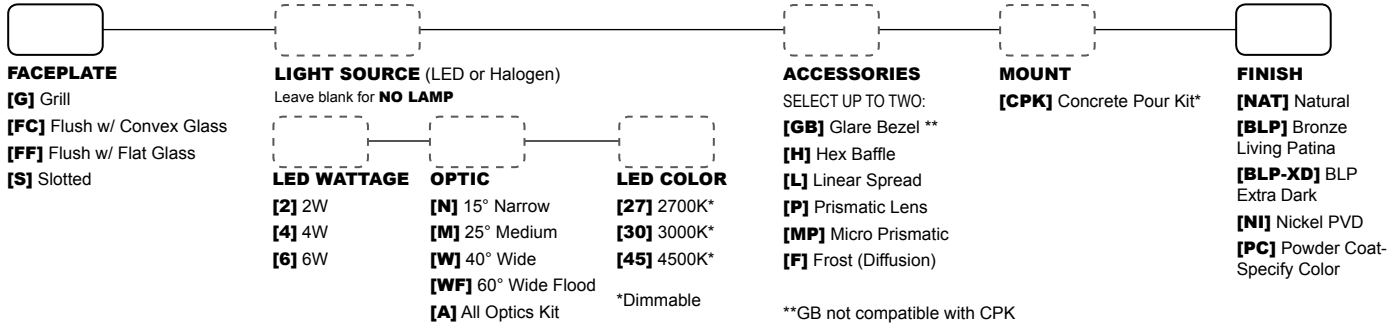
FACEPLATE OPTIONS



ORDERING GUIDE: HWL11 H (HYBRID) WL (WELL LIGHT) 11 (MR11)

☐ INDICATES REQUIRED FIELD

⋯ INDICATES OPTIONAL FIELD



Highly Configurable Machined Brass LED Module
 IP67 sealed module with encapsulated electronics, Copper PCB and interchangeable silicone optics.

