

HWM11 TAOS

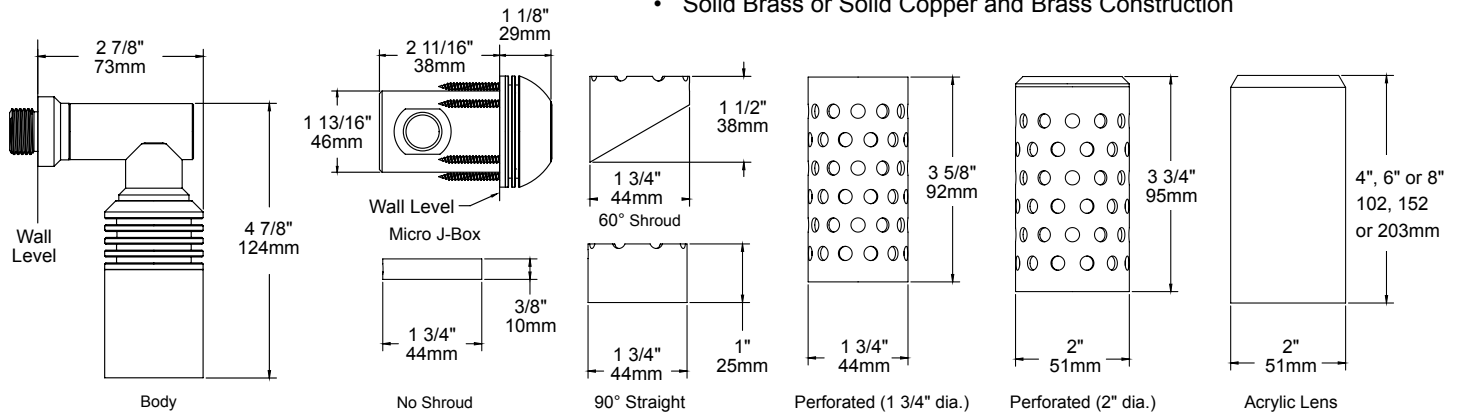


CU-60-G-BLP CU-P1-NG-BLP CU-AC4-G-BLP

The compact new **HWM11** wall mount luminaire is engineered around Auroralight's interchangeable LED module to deliver brilliant LED performance in a small package. Ideal for up/down lighting and wall grazing outdoor features such as columns, patios and pergolas.

Features include:

- Interchangeable LED Module in 2, 4 or 6 Watts
- Cree XLAMP® High Density (XHP) LED
- Interchangeable UV & Shock Resistant Silicone Optic
- 2700, 3000 or 4500K (CRI 80 typ.)
- Thermally Integrated® and Field Serviceable LED Module
- TRIAC Dimming to <10% typ.
- 12 VAC Electronic or Magnetic Source Compatible
- Solid Brass or Solid Copper and Brass Construction



ORDERING GUIDE: **HWM11** H (HYBRID) WM (WALL MOUNT) 11 (MR11 LAMP BASE)

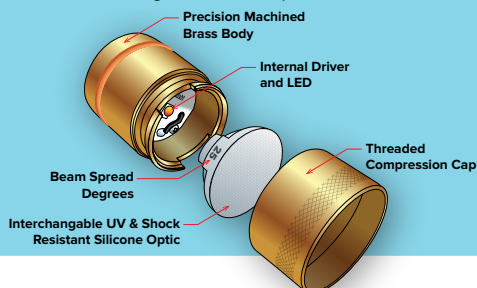
□ INDICATES REQUIRED FIELD ▭ INDICATES OPTIONAL FIELD



MATERIAL	SHROUD	BODY	LIGHT SOURCE (LED or Halogen)	LED WATTAGE	OPTIC	LED COLOR	ACCESSORIES	MOUNT	FINISH
[BR] Brass [CU] Copper	[60] 60° Angled [90] 90° Straight [NS] No Shroud [P1] Perforated (1 3/4" dia.) [P2] Perforated (2" dia.) [AC4] 4" Acrylic Lens [AC6] 6" Acrylic Lens [AC8] 8" Acrylic Lens	[G] Grooved [NG] No Grooves	Leave blank for NO LAMP For Halogen option, refer to Lamp Guide	[2] 2W [4] 4W [6] 6W	[N] 15° Narrow [M] 25° Medium [W] 40° Wide [WF] 60° Wide Flood [A] All Optics Kit	[27] 2700K* [30] 3000K* [45] 4500K* *Dimmable	SELECT UP TO TWO [H] Hex Baffle [L] Linear Spread [P] Prismatic Lens [MP] Micro Prismatic [F] Frost (Diffusion)	[MWM] Micro Wall Mount [MJB] Micro Wall Mount w/ Micro J-Box Provides 3 ports for multi-conduit entries 1/2 NPS CANOPIES: [CP4] 4" Cover Plate* [CP45] 4 1/2" Cover Plate* [MC45] 4 1/2" Mount Canopy* [PC60] Power Canopy (Inc. 60W 120-12V trans.)* [SMJB] 3 1/2" Surface Mount J-Box	[NAT] Natural [BLP] Bronze Living Patina [BLP-XD] BLP Extra Dark [NI] Nickel PVD

Highly Configurable Machined Brass LED Module

IP67 sealed module with encapsulated electronics, Copper PCB and interchangeable silicone optics.



*Brass Escutcheon is standard. Add "C" for Copper

Note: See Surface Mount Guide for more options.

