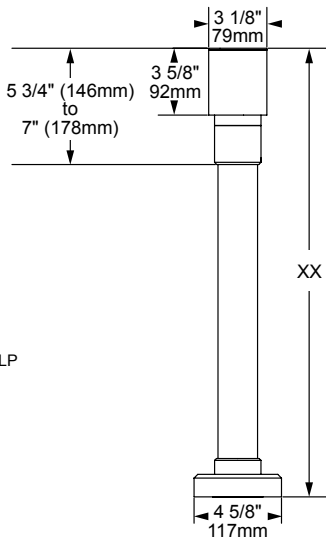
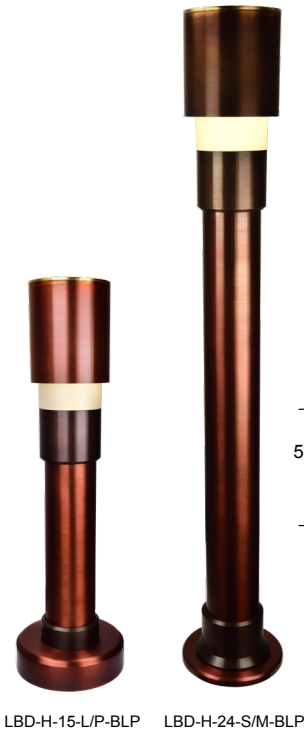


# LBD-H HERMOSA



The re-invented Hermosa **LBD-H** path light features a sleek new look and a serviceable machined Acrylic lens. Re-engineered to take full advantage of the "Designer Series" LED module. With enhanced performance, superior longevity, and ultimate flexibility, the new Hermosa is ready for "center stage." The ALP system allows control of the lumen output and radial spread and can be locked in place once set; let the show begin!

**Features include:**

- Interchangeable LED Module in 7 or 12 Watts up to 228 Lumens Delivered
- 2700K (80 & 90 CRI) or 3000K (80 CRI)
- Precision Machined, Field Replaceable Acrylic Lens
- Thermally Integrated® w/ Copper Core Technology®
- 12V Integral Constant Current Driver (AC or DC Input)
- Dimmable to <10% (TRIAC/Forward Phase)
- Compatible w/ 12V AC/DC MLV or ELV Transformers
- 120V Option w/ Integral 60W 120-12V Transformer
- Solid Copper and Brass Construction



**ORDERING GUIDE:** LBD-H L (LED) BD (BOLLARD) H (HERMOSA)

□ INDICATES REQUIRED FIELD    ▭ INDICATES OPTIONAL FIELD

WATTAGE	LED COLOR	HEIGHT	VOLTAGE	ACCESSORIES	MOUNT	FINISH
[7] 7W	[27] 2700K, 80 CRI	[15] 15"	[12] 12V	[H] Hex Baffle	12V Mount Options:	Standard (Included):
[12] 12W	[279] 2700K, 90CRI	[19] 19"	[120] 120V	[SBH] Stepped Baffle /Hex Baffle Assembly	[G/S2] Ground Stake w/ 2" Cap	[NAT] Natural
	[30] 3000K, 80 CRI	[24] 24"			[T/R] 12" Trident Spike	Plus (Optional):
		[30] 30"			120/12V Mount Options:	[BLP] Bronze Living Patina
					[1/2] 1/2" (NPS) Universal Thread	[BLP-XD] BLP Extra Dark
					[L/P] Concrete Leveling Pedestal	Premium (Optional):
					[S/M] Surface Mount	[NI] Nickel PVD
						[PVD] PVD Color (Contact Factory for Availability)

NOTE: For other CCT and CRI options, contact factory

