

LML250-C8 ARTEMIS



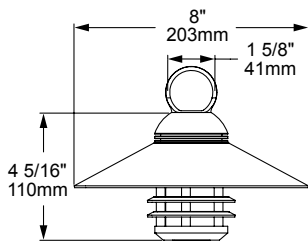
BLP

The **LML250** Moonlighter series of LED pendant luminaires is the latest addition to our growing line of innovative and exquisite down lighting. This series is available in three elegant shade designs with three progressive sizes intended to complement our new state-of-the-art LBD Bollard series and LWM series Wall Sconces. This estate-quality luminaire is ideal for creating ambient mood lighting in intimate outdoor spaces.

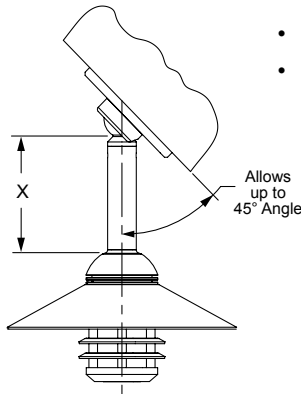
See **LML350** for additional size and configuration options.

Features include:

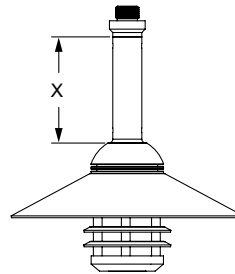
- 8 Watts
- Cree XLAMP® Extreme High Power (XHP) LED
- 2700K or 3000K (CRI 80 typ.)
- Thermally Integrated® and Field Serviceable LED Module
- TRIAC Dimming to <10% typ.
- 12 VAC Electronic or Magnetic Source Compatible
- Solid Copper and Brass Construction



Chain Configuration



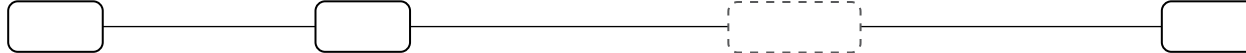
Rigid Mount w/ optional SW4



Rigid Mount

ORDERING GUIDE: **LML250-C8** L (LED) ML (MOONLIGHTER) 250 (SERIES) C (CONICAL) 8 (INCHES)

☐ INDICATES REQUIRED FIELD ☐ INDICATES OPTIONAL FIELD



LED COLOR

- [27]** 2700K, 80CRI
- [30]** 3000K, 80CRI

NOTE: For other CCT and CRI options, contact factory

MOUNT

- [C18]** 18" Solid Brass Chain
- [C36]** 36" Solid Brass Chain
- [RM-X]** Rigid Mount (Specify **4, 6, 8** or **10"**)

[X] = Specify Length

CANOPY OPTIONS (1/2" NPS)

- [TL]** Threaded Loop**
- [CP4]** 4" Cover Plate***
- [CP45]** 4 1/2" Cover Plate***
- [PC60]** 4 1/2" Power Canopy*** (Inc. 60W 120-12V trans.)
- [SW4]** 4" Swivel Cover Plate (RM Only)
- [PC60-SW4]** Power Canopy w/ Swivel*** (Inc. 60W 120-12V trans.) (RM Only)

**Required when both chain and canopy are selected.

***Brass Escutcheon is standard.

Add "C" for Copper

FINISH

- [NAT]** Natural
- [BLP]** Bronze Living Patina
- [BLP-XD]** BLP Extra Dark
- [NI]** Nickel PVD*

*When NI is selected underside will match

