

LML350-C11 ARTEMIS



BLP

The **LML350** Moonlighter series of LED pendant luminaires is the latest addition to our growing line of innovative and exquisite down lighting. This series is available in four elegant shade designs with three progressive sizes intended to complement our new state-of-the-art LBD Bollard series and LWM series Wall Sconces. This estate-quality luminaire is ideal for illuminating larger open areas and provides overhead pathway lighting.

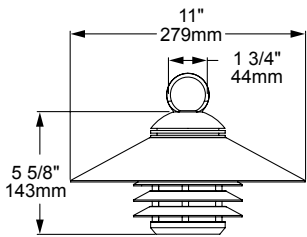
See **LML250** for additional size and configuration options.

Features include:

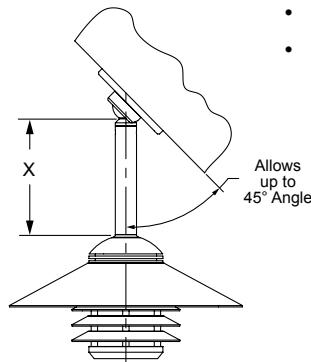
- 20 Watts
- Cree XLAMP® Extreme High Power (XHP) LED
- 2700, 3000 or 4500K (CRI 80 typ.)
- Thermally Integrated® and Field Serviceable LED Module
- TRIAC Dimming to <10% typ.
- 12 VAC Electronic or Magnetic Source Compatible
- Solid Copper and Brass Construction



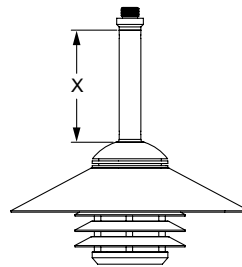
12V



Chain Configuration



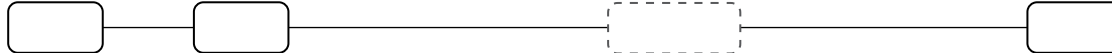
Rigid Mount w/ optional SW4



Rigid Mount

ORDERING GUIDE: **LML350-C11** L (LED) ML (MOONLIGHTER) 350 (SERIES) C (CONICAL) 11 (INCHES)

□ INDICATES REQUIRED FIELD ▭ INDICATES OPTIONAL FIELD



LED COLOR
[27D] 2700K
[30D] 3000K
[45D] 4500K

[D] = Dimmable

MOUNT
[C18] 18" Solid Brass Chain
[C36] 36" Solid Brass Chain
[RM-X] Rigid Mount (Specify **4, 6, 8** or **10"**)

[X] = Specify Length

CANOPY OPTIONS (1/2" NPS)
[TL] Threaded Loop**
[CP4] 4" Cover Plate***
[CP45] 4 1/2" Cover Plate***
[PC60] 4 1/2" Power Canopy*** (Inc. 60W 120-12V trans.)
[SW4] 4" Swivel Cover Plate (**RM Only**)
[PC60-SW4] Power Canopy w/ Swivel*** (Inc. 60W 120-12V trans.) (**RM Only**)

**Required when both chain and canopy are selected.
 ***Brass Escutcheon is standard. Add "C" for Copper

FINISH
[NAT] Natural
[BLP] Bronze Living Patina
[BLP-XD] BLP Extra Dark
[NI] Nickel PVD*

*When NI is selected underside will match

