

LML350-C11-GTL CYRANOS



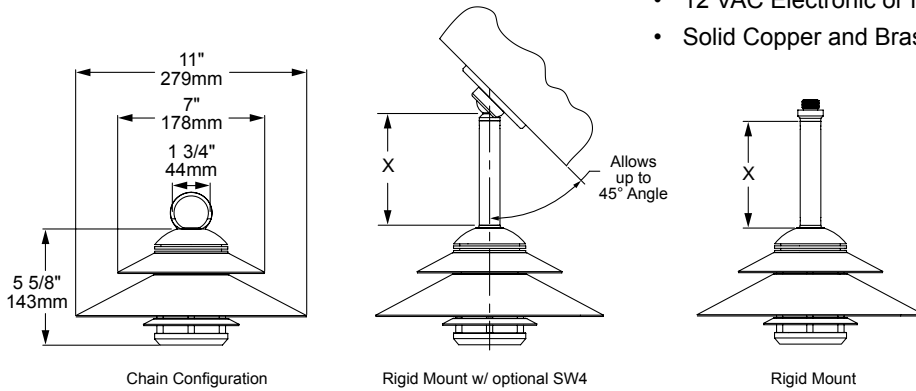
BLP

The **LML350** Moonlighter series of LED pendant luminaires is the latest addition to our growing line of innovative and exquisite down lighting. This series is available in four elegant shade designs with three progressive sizes intended to complement our new state-of-the-art LBD Bollard series and LWM series Wall Sconces. This estate-quality luminaire is ideal for illuminating larger open areas and provides overhead pathway lighting.

See **LML250** for additional size and configuration options.

Features include:

- 20 Watts
- Cree XLAMP® Extreme High Power (XHP) LED
- 2700, 3000 or 4500K (CRI 80 typ.)
- Thermally Integrated® and Field Serviceable LED Module
- TRIAC Dimming to <10% typ.
- 12 VAC Electronic or Magnetic Source Compatible
- Solid Copper and Brass Construction



ORDERING GUIDE: **LML350-C11-GTL** L (LED) ML (MOONLIGHTER) 350 (SERIES) C (CONICAL) 11 (INCHES) GTL (GLIMMER TOP W/ LOUVER)

□ INDICATES REQUIRED FIELD ▭ INDICATES OPTIONAL FIELD

LED COLOR	MOUNT	CANOPY OPTIONS (1/2" NPS)	FINISH
[27D] 2700K	[C18] 18" Solid Brass Chain	[TL] Threaded Loop**	[NAT] Natural
[30D] 3000K	[C36] 36" Solid Brass Chain	[CP4] 4" Cover Plate***	[BLP] Bronze Living Patina
[45D] 4500K	[RM-X] Rigid Mount (Specify 4, 6, 8 or 10")	[CP45] 4 1/2" Cover Plate***	[BLP-XD] BLP Extra Dark
[D] = Dimmable	[X] = Specify Length	[PC60] 4 1/2" Power Canopy*** (Inc. 60W 120-12V trans.)	[NI] Nickel PVD*
		[SW4] 4" Swivel Cover Plate (RM Only)	*When NI is selected underside will match
		[PC60-SW4] Power Canopy w/ Swivel*** (Inc. 60W 120-12V trans.) (RM Only)	

**Required when both chain and canopy are selected.
***Brass Escutcheon is standard.
Add "C" for Copper

