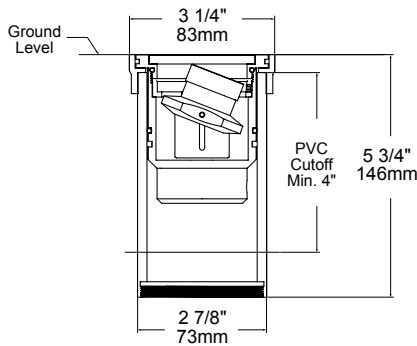




LMWL-R MICRO WELL



NAT Faceplate



2 1/2" SCH.40 PVC Sleeve (Included)



Optional Conduit Hub

The Award-Winning **LMWL-R** Micro Well light is a state of the art higher performance LED luminaire. It is packed with features, yet remains small in size. The light source can be raised or lowered up to one inch, tilted 18 degrees side to side and rotated a full 360 degrees, to provide superior aiming performance.

Features include:

- 3 Watts
- Cree XLAMP® (XP-L) LED
- 2700, 3000 or 4000K (CRI 80 typ.)
- Thermally Integrated® and Field Serviceable LED Module
- IC Rated for Interior and Exterior Use
- Dimmable to <10% typ.
- 12 VAC Electronic or Magnetic
- Drive-over Rated up to 6,000 lbs.
- Solid Brass Construction



ORDERING GUIDE: **LMWL-R** L (LED) MWL (MICRO WELL LIGHT) R (RECESSED)

☐ INDICATES REQUIRED FIELD ☐ INDICATES OPTIONAL FIELD

OPTIC	LED COLOR	ACCESSORIES	MOUNT	FINISH
[N] 15° Narrow	[27D] 2700K	(Select 4 unless LB is selected, limit 2 with LB):	[PVC] PVC Sleeve (default)	[NAT] Natural
[M] 25° Medium	[30D] 3000K	[H] Hex Baffle	[CHA] Conduit Hub, Aluminum w/PVC	[BLP] Bronze Living Patina
[W] 40° Wide	[40D] 4000K	[L] Linear Spread	[CHB] Conduit Hub, Brass w/PVC	[BLP-XD] BLP Extra Dark
[WF] 60° Wide Flood	[D] = Dimmable	[P] Prismatic Lens		[NI] Nickel PVD
[A] All Optics Kit		[MP] Micro Prismatic		
		[F] Frost (Diffusion)		
		[R1, 2, 3 or 4] Red		
		[G1, 2, 3, or 4] Green		
		[B1, 2, 3, or 4] Blue		
		[Y1, 2, 3 or 4] Yellow		
		[LB] Linear Baffle (AR required if paired with second accessory)		
		[AR] Accessory Retainer		

Highly Configurable Machined Brass LED Module
IP67 sealed module with encapsulated electronics, Copper PCB and interchangeable silicone optics.

