

LPL10 BOREALIS



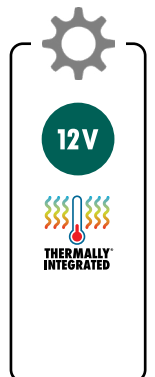
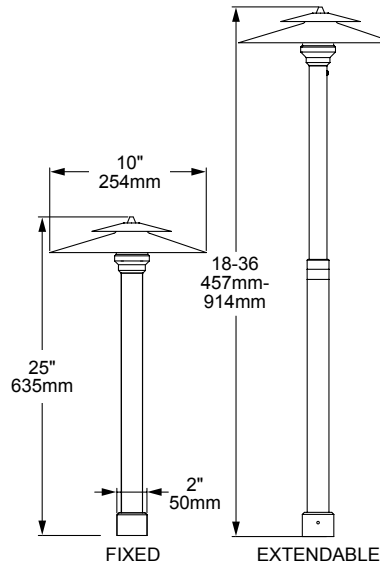
HPL10-NAT

The LPL10 Borealis is our most prominent in the PL series; it graces the landscape with its regal presence. The LPL10 supports a generous spacing for an open, uncluttered, but well-lit space; it is a perfect complement for any larger Estate sized project. This path-light is ideal for illuminating grand driveways, walkways, and open areas. Every LP10 path-light includes a Thermally Integrated® Field Serviceable LED Module. Utilizing our Copper Core Technology®, the LPL9 module is precisely engineered to transfer heat away from the LED driver/circuit and dissipate throughout the entire luminaire to ensure optimal performance, color consistency, and long life!

See HPL10 for light source and wattage alternatives.

Features include:

- 6 Watts up to 343 lumens at 3000K
- Cree XLAMP® XHP35 High Density LED
- 2700K (80 & 90 CRI) or 3000K (80 CRI), or Amber 585-595nm
- Thermally Integrated® Field Serviceable LED Module
- 12V Integral Driver, Dimmable to <10% typ.
- Compatible w/ 12V AC/DC ELV or MLV Transformers
- Fixed or Extendable Riser
- Solid Copper and Brass Construction



SEE NEXT PAGE FOR ORDERING INFORMATION



LPL10 BOREALIS



ORDERING GUIDE: ^{Prefix} **LPL10** L (LED) PL (PATH LIGHT) 10 (INCHES)

INDICATES REQUIRED FIELD
 INDICATES OPTIONAL FIELD
 ✓ INCLUDED
 [_] QUICK SPEC (See Below)

QUICK SPEC SKU LPL10-27-FR-C-2GS-NAT

LPL10
LED COLOR ✓

[27] 2700K, 80CRI
[279] 2700K, 90CRI
[30] 3000K, 80CRI
[AMB] Amber (3W)
 (585-595nm)

NOTE: For other CCT and CRI options, contact factory

HEIGHT ✓

[FR] Fixed Riser (19" OAH)
[EXT] Extendable Riser (18-36")

LENS ✓

[F] Frosted
[C] Clear

MOUNT

[1/2] 1/2" Male Thread
[2GS] Ground Stake w 2" Cap ✓
[3GS] Ground Stake w 3" Cap
[325GS] Ground Stake w 3 1/4" Cap
[DS] Deluxe Stake 9"
[TR-12] 12" Trident Spike
[PB-S] Power Box w/ Stake
 (Inc. 60W 120-12V transformer)
[PM-60] 4" Pedestal Mount
[SM3] 3 1/4" Surface Mount
[SM2] 2 1/4" Surface Mount

FINISH

Standard:

[NAT] Natural ✓

Plus (\$):

[BLP] Bronze Living Patina
[BLP-XD] BLP Extra Dark

Premium (\$\$\$):

[NI] Nickel PVD
[PVD] PVD Color
 (Contact Factory for Color Options)

MOUNTS


1/2

2GS

3GS

325GS

DS

TR

PB-S

PM

SM2

SM3



LPL10 BOREALIS

PHOTOMETRIC OVERVIEW

Information based on 3000K. To download more in-depth IES photometric data, visit auroralight.com/product/lpl10-borealis/

Mounting Height - 2 Feet

