

# LPL9 SERENGETI



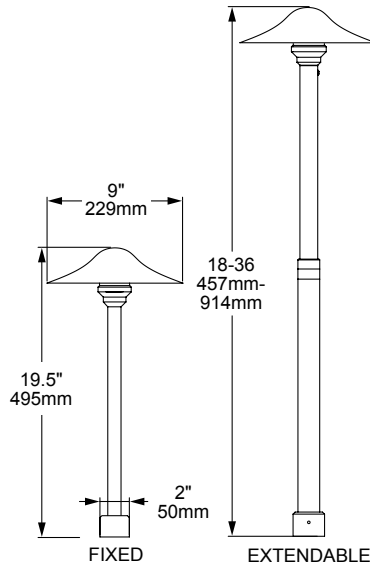
The **LPL9** Serengeti is scaled to suit architecture that requires a more substantial and weighty look. This path light is ideal for illuminating grand driveways, walkways, and open areas requiring generous light spacing. The extendable riser creates a solution for rapid or seasonal plant growth which necessitates a height adjustable fixture.

See **HPL9** for light source and wattage alternatives.



### Features include:

- 4.5W or 6 Watts and up to 356 lumens at 3000K
- Cree XLAMP® XHP35 High Density LED
- 2700K or 3000K (CRI 80 typ.)
- Thermally Integrated® and Field Serviceable
- TRIAC Dimming to <10% typ.
- 12 VAC Electronic or Magnetic
- Fixed or Extendable Riser
- Solid Copper and Brass Construction



### ORDERING GUIDE: **LPL9** L (LED) PL (PATH LIGHT) 9 (INCHES)

□ INDICATES REQUIRED FIELD    □ INDICATES OPTIONAL FIELD

WATTAGE	LED COLOR	HEIGHT	LENS	MOUNT	FINISH
[4] 4.5W [6] 6W	[27] 2700K, 80CRI [30] 3000K, 80CRI [AMB] Amber (585-595nm)  NOTE: For other CCT and CRI options, contact factory	[FR] Fixed Riser (19.5" OAH) [EXT] Extendable Riser (18-36")	[F] Frosted [C] Clear	[1/2] 1/2" Male Thread [G/S] Ground Stake (Default) [D/S] Deluxe Stake 9" [T/R-X] Trident Spike (Specify 9" or 12") [P/B-S] Power Box w/ Stake (Inc. 60W 120-12V trans.) [P/M] 4" Pedestal Mount [SM3] 3 1/4" Surface Mount [SM2] 2 1/4" Surface Mount  [X] = Specify Length NOTE: See Mount Guide for more options	[NAT] Natural [BLP] Bronze Living Patina [BLP-XD] BLP Extra Dark

