

LQSL QUBE

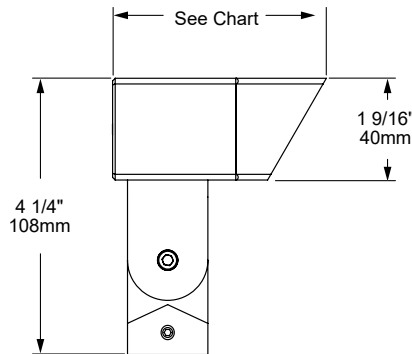


60-BLP

The LQSL directional luminaire is compact, yet powerful. At just under five inches tall, the LQSL is unobtrusive by day while emitting beautiful and soothing light after dark. This low-profile fixture is easily hidden among plantings and other landscape features while the effect is dramatic and inviting.

Features include:

- 3 Watts and Up to 190 lumens
- Cree XP-L® High Density LED
- 2700K, 3000K (CRI 80 typ.), or Amber 585-595nm
- Copper Core Technology®
- Thermally Integrated® LED Module
- TRIAC Dimming to <10% typ.
- 12 VAC Electronic or Magnetic
- Solid Brass Construction

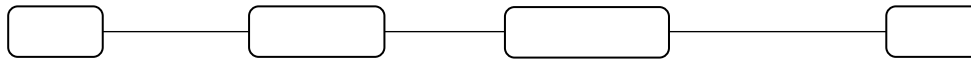


LIGHT SOURCE LENGTH CHART

Glare Shield	Length
60° Angled Shield	3 5/16" (84mm)
90° Straight Shield	3" (76mm)
No Shield	2 3/8" (60mm)

ORDERING GUIDE: ^{Prefix} **LQSL** L (LED) Q (QUBE) SL (SPOT LIGHT)

□ INDICATES REQUIRED FIELD ▭ INDICATES OPTIONAL FIELD



GLARE SHIELD

- [60]** 60° Angled
- [90]** 90° Straight
- [NS]** No Shield

LED COLOR

- [27]** 2700K, 80CRI
- [30]** 3000K, 80CRI
- [AMB]** Amber (585-595nm)

NOTE: For other CCT and CRI options, contact factory

MOUNT

- [1/2]** 1/2" Male Thread
- [G/S]** Ground Stake
- [T/R-X]** Trident Spike (9" or 12")
- [JB3-S]** J-Box w/ Stake
- [P/B-S]** Power Box w/ Stake (Inc. 60W 120-12V trans.)
- [9x18]** Telescopic Riser (Specify 5x10, 7x14, 9x18 or 11x22)
- [T/M]** Trellis Mount
- [S/B]** Splice Box
- [T/S]** Tree Strap
- [BTM]** Bolt-on Tree Mount

[X] = Specify Length

NOTE: See AMS Mount Guide for more options

FINISH

- [NAT]** Natural
- [BLP]** Bronze Living Patina
- [BLP-XD]** BLP Extra Dark
- [NI]** Nickel PVD

