

LSM3 MICRO CASCADE

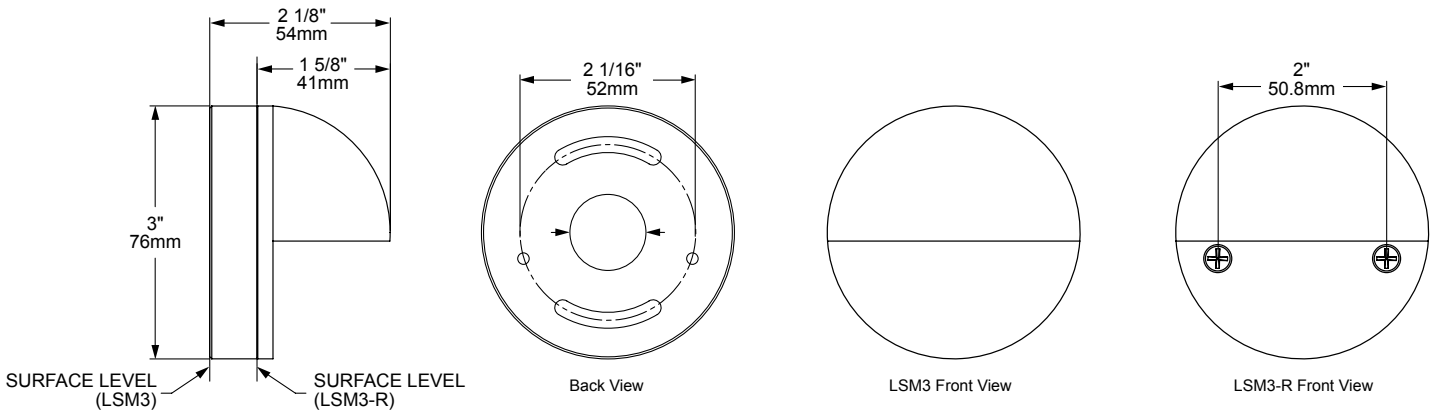


LSM3-R-BLP

A higher performing LED in a small package. The **LSM3** is a surface mounted LED wall light that offers excellent illumination of walls and walkways in a stylish yet rugged design. Featuring a precision machined acrylic optic with a deep prismatic design to allow for uniform distribution. It is sized to fit on standard 4" by 4" posts which makes this an ideal fixture for decks and docks. The entire fixture is machined from solid brass bar. Designed to be simply surface mounted without any additional box or can be recessed up to a 1/2" for a lower profile installation.

Features include:

- 4.5 Watts and 135 lumens at 3000K
- Cree XP-L® High Density LED
- Precision Machined Acrylic Optic
- 2700 or 3000K (CRI 80 typ.)
- Thermally Integrated® w/ Copper Core Technology®
- 12 VAC Electronic or Magnetic
- TRIAC Dimmable to <10% typ.
- Solid Brass Construction



ORDERING GUIDE: ^{Prefix} **LSM3** L (LED) SM (SURFACE MOUNT) 3 (SERIES)

□ INDICATES REQUIRED FIELD □ INDICATES OPTIONAL FIELD



MOUNTING

- [SM]** Surface Mount
- [R]** Recessed

LED COLOR

- [27]** 2700K, 80 CRI
- [30]** 3000K, 80 CRI
- [AMB]** Amber (585-595 nm)

FINISH

- [NAT]** Natural
- [BLP]** Bronze Living Patina
- [BLP-XD]** BLP Extra Dark
- [NI]** Nickel PVD

NOTE: For other CCT and CRI options, contact factory.

