

LSW16 POLARIS

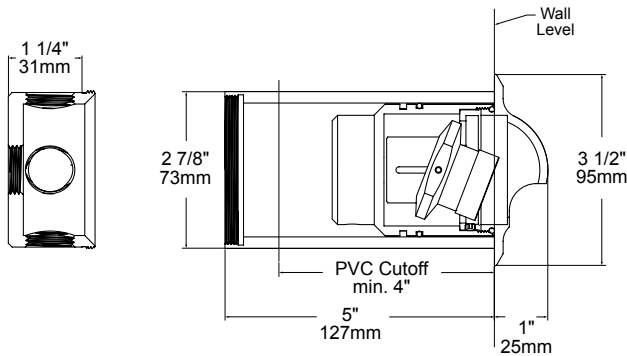


Shown w/ optional Conduit Hub (CHA)

The **LSW16** wall light is a state-of-the-art high performance LED luminaire. Machined entirely from solid brass bar and gasketed with durable silicone O-rings to ensure the fixture remains hermetically sealed under the most extreme conditions.

Features include:

- 3 Watts
- Cree XLAMP® (XP-L) LED
- 2700, 3000 or 4000K (CRI 80 typ.)
- Thermally Integrated® and Field Serviceable LED Module
- IC Rated for Interior and Exterior Use
- Dimmable to <10% typ.
- 12 VAC Electronic or Magnetic
- Solid Brass Construction



Optional Conduit Hub

With 2 1/2" Sched. 40 PVC Sleeve (included)

ORDERING GUIDE: ^{Prefix} **LSW16** L (LED) SW (STEP/WALL LIGHT) 16 (16 X 1/8 = 2")

□ INDICATES REQUIRED FIELD ▭ INDICATES OPTIONAL FIELD

LIGHT SOURCE	OPTIC	LED COLOR	LENS	ACCESSORIES	MOUNT	FINISH
[A] Adjustable [F] Fixed	[N] 15° Narrow [M] 25° Medium [W] 40° Wide [WF] 60° Wide Flood [A] All Optics Kit	[27D] 2700K [30D] 3000K [40D] 4000K [D] = Dimmable	[F] Frosted [C] Clear	(Select 4 unless LB is selected, limit 2 with LB): [H] Hex Baffle [L] Linear Spread [P] Prismatic Lens [MP] Micro Prismatic [F] Frost (Diffusion) [R1, 2, 3 or 4] Red [G1, 2, 3, or 4] Green [B1, 2, 3, or 4] Blue [Y1, 2, 3 or 4] Yellow [LB] Linear Baffle (AR required if paired with second accessory) [AR] Accessory Retainer	[PVC] PVC Sleeve (default) [CHA] Conduit Hub, Aluminum w/PVC [CHB] Conduit Hub, Brass w/PVC	[NAT] Natural [BLP] Bronze Living Patina [BLP-XD] BLP Extra Dark [NI] Nickel PVD [PC] Powder Coat- Specify Color

