

LSW8 MERIDIAN



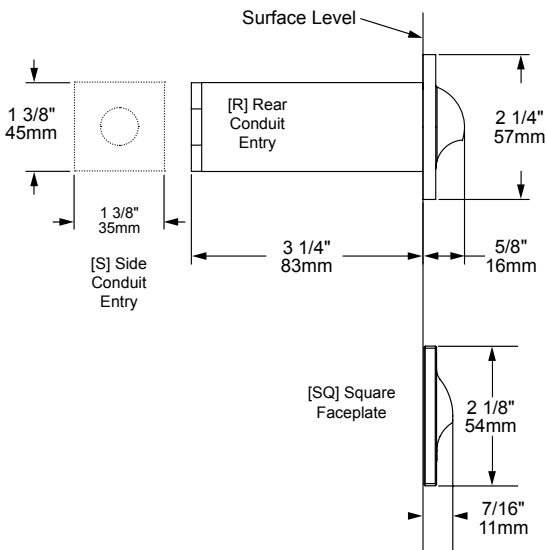
BR-NAT

The **LSW8** offers excellent illumination of walkways and steps in a small, rugged design. The graceful appearance of the eyelid effectively shields against glare, while the small aperture allows excellent forward projection with even illumination side to side. Pair with our LSW8-PL to provide design continuity, uniform spacing and light levels in the absence of a structure.

See **LSW16** and **LSW4** for additional size and wattage options.

Features include:

- 1.25 Watts and up to 38 lumens
- Cree XP-L® High Density LED
- 2700K or 3000K (CRI 80 typ.)
- Interchangeable UV & Shock Resistant Silicone Optic
- Thermally Integrated®, Field Serviceable LED Module
- TRIAC Dimming to <10% typ.
- 12 VAC Electronic or Magnetic
- IC Rated for interior and exterior use
- Copper and Brass Body w/ Brass or Copper Faceplate



FACEPLATE OPTIONS



SQ-BR-NAT



CU-NAT



BR-NI

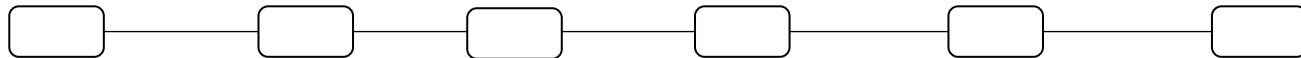


CU-BLP

ORDERING GUIDE: **LSW8** L (LED) SW (STEP/WALL LIGHT) 8 (8 X 1/8 INCHES)

□ INDICATES REQUIRED FIELD

□ INDICATES OPTIONAL FIELD



FACEPLATE

- [BR] Brass
- [SQ-BR] Square Brass*
- [CU] Copper

*Available as Brass Only, NOT compatible with "FM" Option

OPTIC

- [N] 15° Narrow
- [M] 25° Medium
- [W] 40° Wide
- [WF] 60° Wide Flood
- [A] All Optics Kit

LENS

- [F] Frosted
- [C] Clear
- [DL] Black Dipped Lens

LED COLOR

- [27] 2700K, 80CRI
- [30] 3000K, 80CRI
- [AMB] Amber (585-595 nm)

NOTE: For other CCT and CRI options, contact factory

MOUNT

- [R] Rear Conduit Entry
- [S] Side Conduit Entry
- [R-FM] Rear Conduit Entry w/ Flush Mount (mud ring)**
- [S-FM] Side Conduit Entry w/ Flush Mount (mud ring)**

** Available as Brass only

FINISH

- [NAT] Natural
- [BLP] Bronze Living Patina
- [BLP-XD] BLP Extra Dark
- [NI] Nickel PVD (BR)

Highly Configurable Machined Brass LED Module

IP67 sealed module with encapsulated electronics, Copper PCB and interchangeable silicone optics.

