

LWL5 LIGHTHAUS



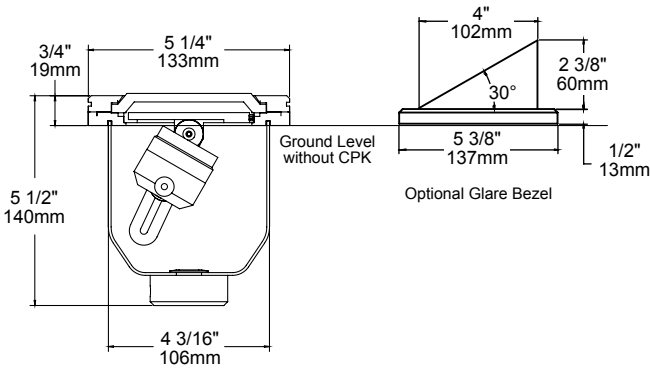
S-NAT

The **LWL5** well light features unrivaled aiming ability allowing in excess of 45° tilt onto the horizon with 360° of rotation. It has the ability to regress the light source 2" below the lens putting the LWL5 completely in a class of its own.

See **LWL1**, **LMWL**, **LWL4** and **HWL11** for additional size and wattage options.

Features include:

- 9 Watts and up to 522 lumens delivered
- 2700K or 3000K
- Thermally Integrated™ Field Serviceable LED Module
- Dimming to <10% typ.
- 12 VAC Electronic or Magnetic
- Drive-Over Rated up to 6,000 lbs.
- Solid Copper Body w/ Brass Faceplate



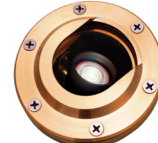
FACEPLATE OPTIONS



G-NAT



F-NAT



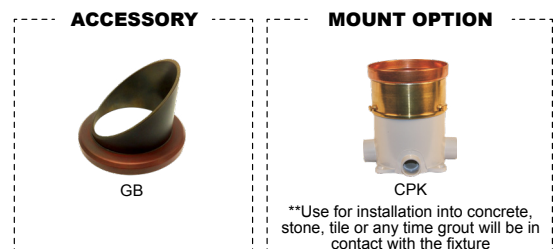
S-NAT

ORDERING GUIDE: ^{Prefix} **LWL5** L (LED) WL (WELL LIGHT) 5 (INCHES)

□ INDICATES REQUIRED FIELD ▭ INDICATES OPTIONAL FIELD

FACEPLATE	OPTIC	LED	ACCESSORIES	MOUNT	FINISH
[G] Brass Grill	[N] 20° Narrow	[27D] 2700K	[GB] Glare Bezel*	[CPK] Concrete Pour Kit**	[NAT] Natural
[FC] Brass Flush w/ Convex Glass	[M] 30° Medium	[30D] 3000K	[HD] Deep Cutoff Hex Baffle		[BLP] Bronze Living Patina
[FF] Brass Flush w/ Flat Glass	[W] 40° Wide	[D] = Dimmable	SELECT ONE:		[BLP-XD] BLP Extra Dark
[S] Brass Slotted	[WF] 50° Wide Flood		[H] Hex Baffle (Included)		[NI] Nickel PVD
	[SF] 60° Super Flood		[P] Prismatic Lens		
	[UF] 75° Ultra Flood		[F] Frost (Diffusion)		
	[A] All Optics Kit		[L] Linear Spread		
			[MP] Micro Prismatic		
			[R1, 2, 3 or 4] Red		
			[B1, 2, 3, or 4] Blue		
			[G1, 2, 3, or 4] Green		
			[Y1, 2, 3, or 4] Yellow		

*GB not compatible w/ CPK



**Use for installation into concrete, stone, tile or any time grout will be in contact with the fixture

