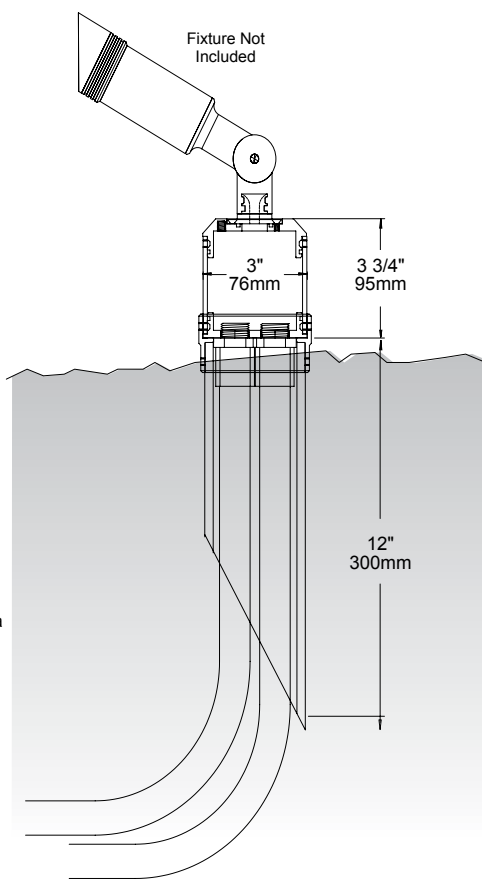


TYPE:
CAT. #: P/B-

P/B 120V POWER BOX



The **Auroralight Power Box** is a UL Listed “Landscape Lighting Power Unit.” It is listed for wet locations within 12” of finish grade. The **P/B** is a low voltage landscape lighting power supply listed to UL standard 1838. This unit can be buried within 1” of the top, even in exterior wet locations. Adapts from line voltage feed (120V) to any of our low voltage directional spot lights or 12V path lights, as well as most 12V fixtures from other manufacturers. The enclosure is solid machined brass, with a removable top assembly. Sealed inside is a 120V primary x 12V secondary, electronic transformer featuring patented overload protection. The optional PVC stabilizing stake or trident spike adds significant strength, ensuring a safe and durable installation. Accommodates two 1/2” conduits allowing for 120V in, with 12V output for second fixture up to 10’ away or 120V through wiring.



ORDERING GUIDE: ^{Prefix} P/B (POWER BOX)

☐ INDICATES REQUIRED FIELD ☐ INDICATES OPTIONAL FIELD



FIXTURE ATTACHMENT

[1/2] 1/2" NPS Female Threaded Hole
Fits Aurora path lights & 1/2" Universal fixtures
[AMS] Auroralight Mount System
Adds 1/2" Brass Adapter to fit SL, LSL and HSL series directional luminaires.

MOUNT

[P/B] Box Only
[P/B-S] Box w/ PVC Stake
[P/B-T/R] Box w/ Trident Spike

Includes 60W 12V AC Electronic Transformer

FINISH

[NAT] Natural
[BLP] Bronze Living Patina
[BLP-XD] BLP Extra Dark
[NI] Nickel PVD

Pictured w/ optional PVC Stake

