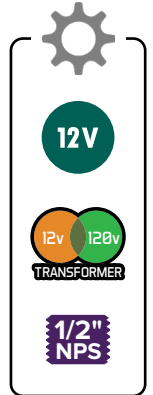
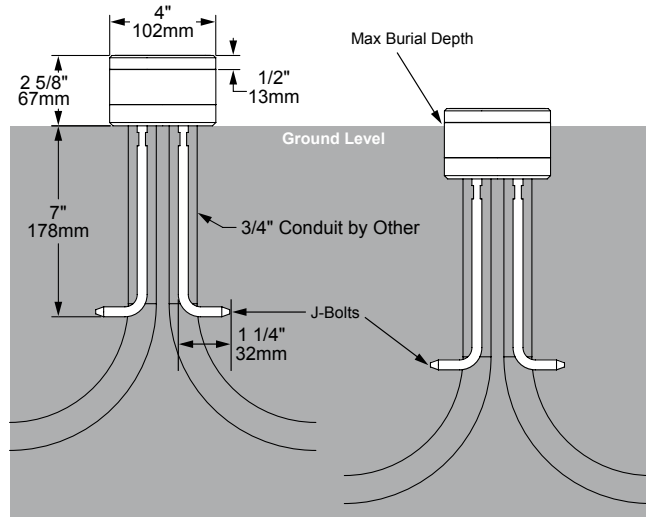


PM PEDESTAL MOUNT

The PM Pedestal Mount, part of the most comprehensive ground mount system available, is a robust, solid brass mount designed to be cast into a concrete pedestal creating a durable, unmovable mount point for residential or commercial projects. It features two 3/4" bottom conduit entries for simple through wiring and two stainless steel J-bolts for a durable installation. This unit can be buried within 1" of the top, even in exterior wet locations. Available with a 120 to 12v electronic transformer option for mounting low voltage luminaires. The PM is machined from Solid Brass for extreme durability; our fixture mounts are built to the exact quality specifications as our entire family of fixtures. Our proprietary screwless faceplate eliminates twisted wires and visible screws to make installation fast and neat.



PM-60-1-BLP
(Conduit not included)



ORDERING GUIDE: ^{Prefix} **PM** P (PEDESTAL) M (MOUNT)

□ INDICATES REQUIRED FIELD □ INDICATES OPTIONAL FIELD

PM			
	<p>TRANSFORMER</p> <p>[60] 60W 120-12V AC Electronic Transformer</p> <p>[NO] None</p> <p>Note: Consult factory for other voltages.</p>	<p>FACEPLATE</p> <p>[1] Single</p> <p>[2] Double</p>	<p>FINISH</p> <p>Standard (Included):</p> <p>[NAT] Natural</p> <p>Plus (Optional):</p> <p>[BLP] Bronze Living Patina</p> <p>[BLP-XD] BLP Extra Dark</p> <p>Premium (Optional):</p> <p>[NI] Nickel PVD</p> <p>[PVD] PVD Color (Contact Factory for Availability)</p>

