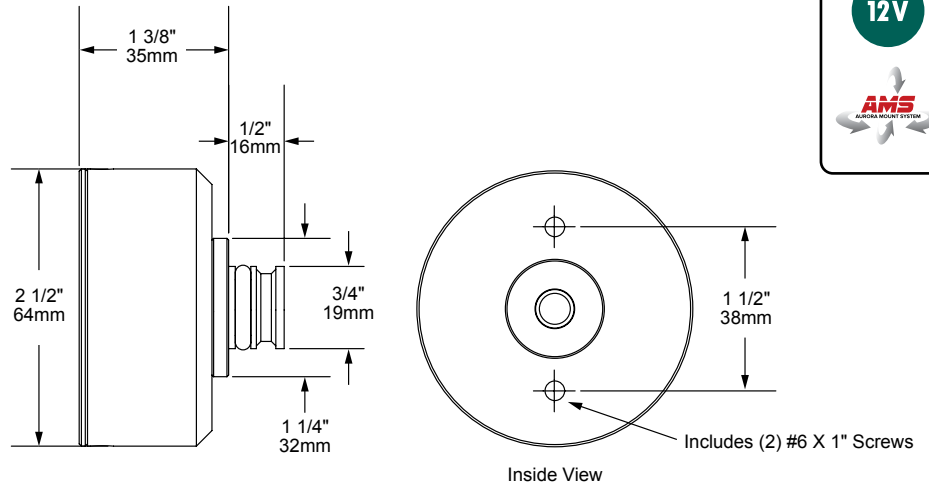


SB SPLICE BOX



SB-BLP

The SB Splice Box, part of the most diverse surface mount offerings available, is a Solid Brass mounting solution with a concealed wiring compartment. Featuring our Aurora Mount System (AMS) built into the splice box for maximum aim-ability and 360° of fixture rotation, the 2 1/2" diameter box is secured to a mounting plate with set screws and sealed with an O-ring. The electrical splice is hidden inside the box for a neat, clean installation. The SB is ideal for attaching our luminaires to a flat surface, whether it is a wall, ceiling, or structure.



ORDERING GUIDE: ^{Prefix} **SB** S (SPLICE) B (BOX)

□ INDICATES REQUIRED FIELD ▭ INDICATES OPTIONAL FIELD



FINISH

Standard (Included):

[NAT] Natural

Plus (Optional):

[BLP] Bronze Living Patina

[BLP-XD] BLP Extra Dark

Premium (Optional):

[NI] Nickel PVD

[PVD] PVD Color (Contact Factory for Availability)

COMPATIBLE WITH:

