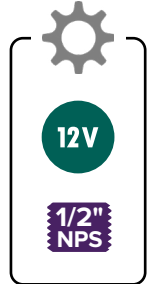
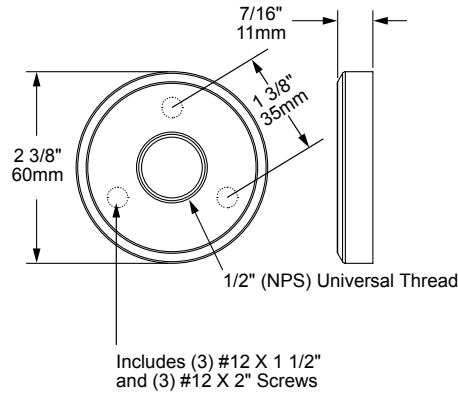


SM2 SURFACE MOUNT

The SM2 Surface Mount, part of the most diverse surface mount offerings available, is machined from solid brass and includes a beautiful copper cover plate. The SM2 utilizes a standard 1/2" (NPS) Universal Thread for near limitless compatibility with other fixtures. The SM2 is ideal for attaching our luminaires to a flat surface, whether it is wood or concrete.



ORDERING GUIDE: ^{Prefix} **SM2** S (SURFACE) M (MOUNT) 2 (2 3/8")

□ INDICATES REQUIRED FIELD □ INDICATES OPTIONAL FIELD



FINISH

Standard (Included):

[NAT] Natural

Plus (Optional):

[BLP] Bronze Living Patina

[BLP-XD] BLP Extra Dark

Premium (Optional):

[NI] Nickel PVD

[PVD] PVD Color (Contact Factory for Availability)

