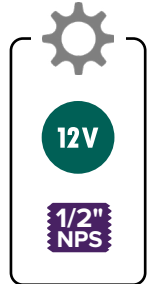
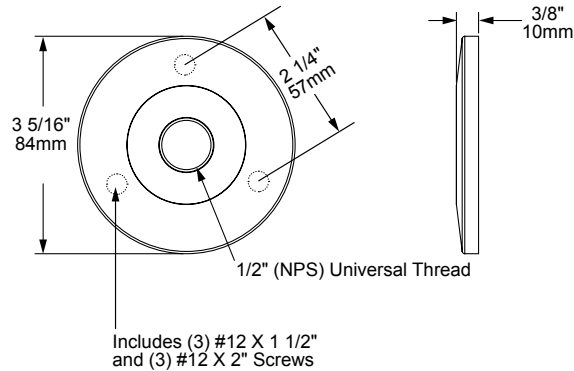


SM3 SURFACE MOUNT

The SM3 Surface Mount, part of the most diverse surface mount offerings available, is machined from Solid Brass and includes a beautiful Copper cover plate. The SM3 utilizes a standard 1/2" (NPS) Universal Thread for near limitless compatibility with other fixtures. The SM3 is ideal for attaching our luminaires to a flat surface, whether wood or concrete.



SM3-NAT



ORDERING GUIDE: ^{Prefix} **SM3** S (SURFACE) M (MOUNT) 3 (3 5/6")

□ INDICATES REQUIRED FIELD □ INDICATES OPTIONAL FIELD



FINISH

Standard (Included):

[NAT] Natural

Plus (Optional):

[BLP] Bronze Living Patina

[BLP-XD] BLP Extra Dark

Premium (Optional):

[NI] Nickel PVD

[PVD] PVD Color (Contact Factory for Availability)

