



KLEVER HOSPITALITY SWITCH PLUS

KHSP-NA-V01



The next generation of energy efficiency and comfort

With the Klever Hospitality Switch installed in every room you will gain unprecedented control and monitoring over lighting and give your guests the best experience and comfort throughout



Characteristics

- Control up to three independent lighting loads
- No neutral wire required
- 3-way and multi-way switching enabled
- Control entire zones of the room with one touch on your Klever Hospitality Switch
- Real-time status reports on the Kleverness Dashboard
- Monitor and reduce energy consumption based on guest presence
- Guest can control the Klever Hospitality Switch issuing voice commands with Amazon Alexa & Google Home
- Modern and elegant design
- Customizable faceplate design with hotel branding (quoted separately)
- Works with any bulb

Technical Specifications

Input Voltage: 100-240V ~50/60Hz

Min. & Max. Incandescent Power: 5-450W per load

Min. & Max. LED Power: 5-300W per load

Min. y Max. CFL Power: 5-300W per load

Max. Capacity: 1350W (450W per load)

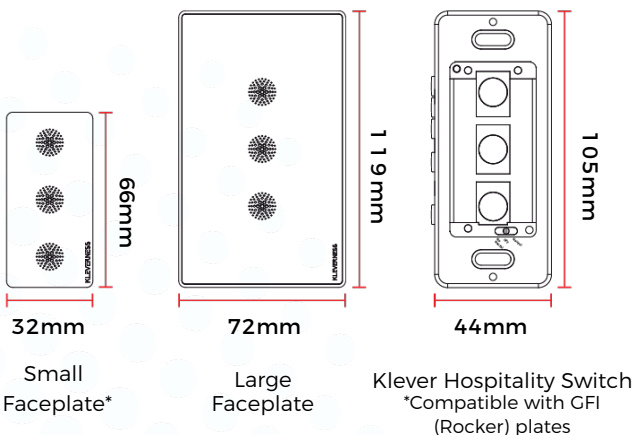
Operating Temperature: 0° to 40°C

Connectivity: RF 915MHz

Humidity: 0% to 90%, no condensation

Interior use only

Dimensions



Available Colors



Black



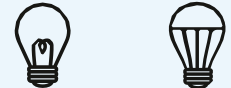
White

Lightbulbs

The Klever Hospitality Switch can use any type of lightbulb



CFL
From 5W to 300W

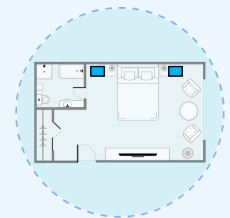


Incandescent
From 5W to 450W



LED
From 5W to 300W

System Communication



The Klever Hospitality Switch communicates with your Klever Hospitality Hub or other Kleverness devices via radio frequency in a 40m radius

Compatible with



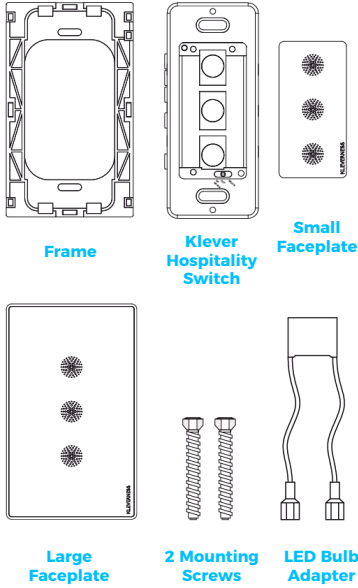


KLEVER HOSPITALITY SWITCH PLUS

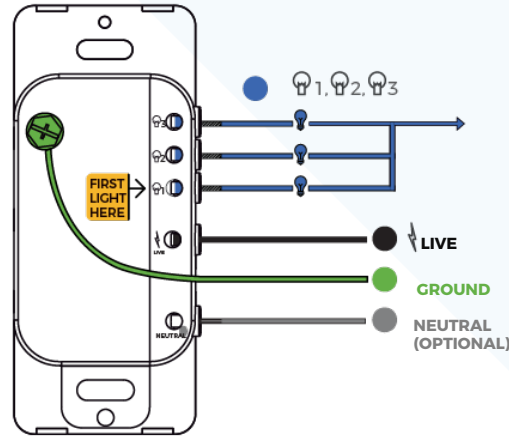
KHSP-NA-V01



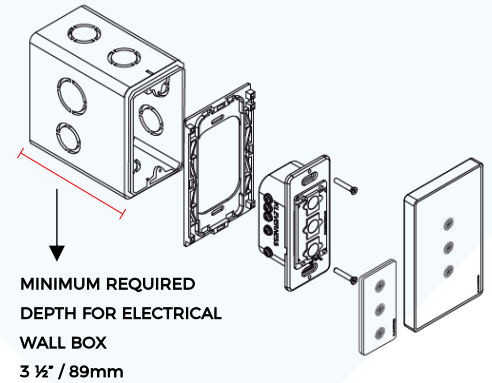
What's inside the box



Wiring

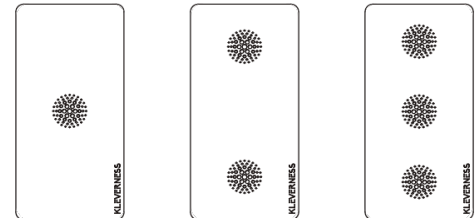


Installation



Load Detection

The Klever Hospitality Switch detects how many lighting loads were connected and automatically displays them on the faceplate



Certification - Regulatory Approvals

- cULus certified
- NOM certified
- FCC (Federal Communications Commission): complies with the limits for a Class B digital device, pursuant to part 15 of the FCC Rules
- IC (Industry Canada) Approved



E503675
Home Automation Equipment



*** ONE KLEVER HOSPITALITY HUB IS REQUIRED PER ROOM (SOLD SEPARATELY)**

Enables smart features for the Klever Hospitality Switch allowing full control and energy saving from the Kleverness Dashboard