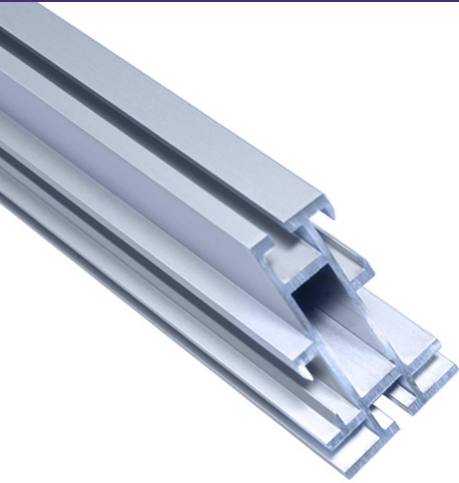


PRODUCT CODE:  
AF-5MSLV  
AF-5MBLK

# ASPEN-40D



## Product Features

A classic in the Resort Extrusion collection, the double-sided Aspen-40D has a profile width of 40 mm (1.6 in). Aspen's outside finish has a system groove, like an indented stripe, for added style, but is purposeful for easily installing accessories. This extrusion is especially lightweight making it great for wall mounting for hanging overhead, but can also be stood independently with feet. When installing the fabric graphic, the silicone beading can fit 12 mm (.47 in) deep and 3mm (.11 in) wide into the silicone beading trough. Not compatible with lights (cannot be back-lit.) Also available in black.

## Specs

### Specifications:

- 40 mm (1.6 in) wide
- Double-sided graphic display
- Available in black "Onyx"
- Accepts 12 mm keder

### Functions:

- Free standing display
- Wall mount display
- Suspended display

## Measurements

### 40D Frame Profile Side:

- 40 mm

### Linear Foot Weight:

- 11 oz (Silver) / 10 oz (Black)

### Maximum Extrusion Length:

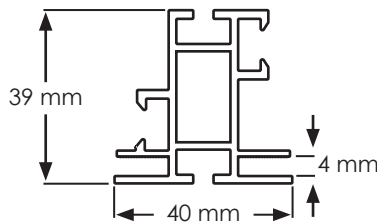
- 201 in

### Minimum Extrusion Length:

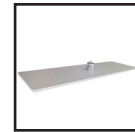
- 8 in

### Length For Splits / Cuts In Extrusions:

- 96 in Max



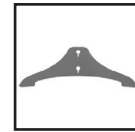
## Available Options



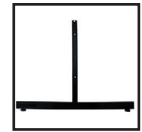
Aspen Flat Foot  
(Qty: Minimum of 2)



Yeti Feet  
(Qty: 2)



Aspen Side Mount Feet  
(Qty: 2)



T-Leg  
(Qty: 2)



T-Leg Caster  
(Qty: 4)



^Vail Feet  
(Qty: 2)



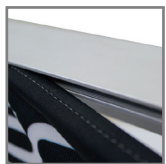
\*Steel Base



\*Ceiling Eye Hook



\*Wall Mounts  
(Qty: 4)



SEG Graphic Installation



Onyx Black Option



Corner Connector  
(Qty: 8)



Corner Connector



\*Split Connector

\*Display sizes may affect option quantities.

^Width Dependant