

Product Code:
WS10

WINGSPAN 10FT GRAPHIC PACKAGE



*Podium graphic is additional \$89.

Graphic for Hard Case is optional.



Product Features

The Wingspan Pop Up Display comes with everything you need to effectively promote your product at any trade show for a fraction of the price of other displays.

Display Dimension	22'W x 39"H x 17"D
-------------------	--------------------

Graphic Size	141.5"W x 88.98"H
--------------	-------------------

Graphic Material

.020 PVC Panels

Graphic Finishing

Magnetic strips on the sides and hanging hardware on top and bottom

Construction

Aluminum frame

Magnetic strips and hooks on top

Aluminum channel bars w/ magnetic strips

Weights - Dimensions

Shipping Weight	85 lbs
-----------------	--------

Shipping Dimensions	17"x17"x40"
---------------------	-------------

Package Includes

(1) Aluminum frame w/bag

(7) 3 Section channel bars

(1) Medium Hard Case

(2) Lights

(1)Key

(4)Graphic center panels

(2)Graphic end panels

(1) Repair Kit

Warranty

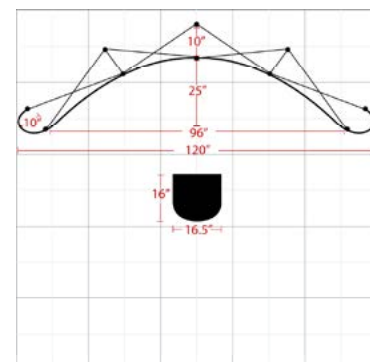
Life time on Stand

1 year on Graphic

Graphic Specification

141.5"W x 88.98"H

Graphic Turnaround Time is 2 business days for up to 2 sets



The box represents 10'x10' booth.