

WINGSPAN 8FT GRAPHIC PACKAGE



Graphic for Hard Case is optional.



Product Features

The Wingspan Pop Up Display comes with everything you need to effectively promote your product at any trade show for a fraction of the price of other displays.

Display Dimension	22"W x 39"H x 17"D
Graphic Size	133.67"W x 90.16"H

Graphic Material

.020 PVC Panels

Graphic Finishing

Magnetic strips on the sides and hanging hardware on top and bottom

Construction

Aluminum frame

Magnetic strips and hooks on top

Aluminum channel bars w/ magnetic strips

Weights - Dimensions

Shipping Weight	85 lbs
Shipping Dimensions	17"x17"x40"

Package Includes

- (1) Aluminum frame w/bag
- (5) 3 Section channel bars
- (1) Medium Hard Case
- (2) Lights
- (1) Key
- (3) Graphic center panels
- (2) Graphic end panels
- (1) Repair Kit

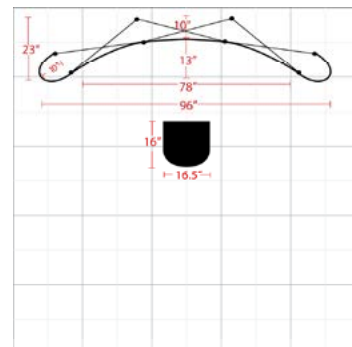
Warranty

- Life time on Stand
- 1 year on graphic

Graphic Specification

133.67"W x 90.16"H

Graphic Turnaround Time is 2 business days for up to 2 sets



The box represents 10'x10' booth.