

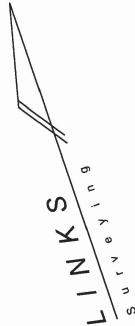
STRATA PLAN

50270

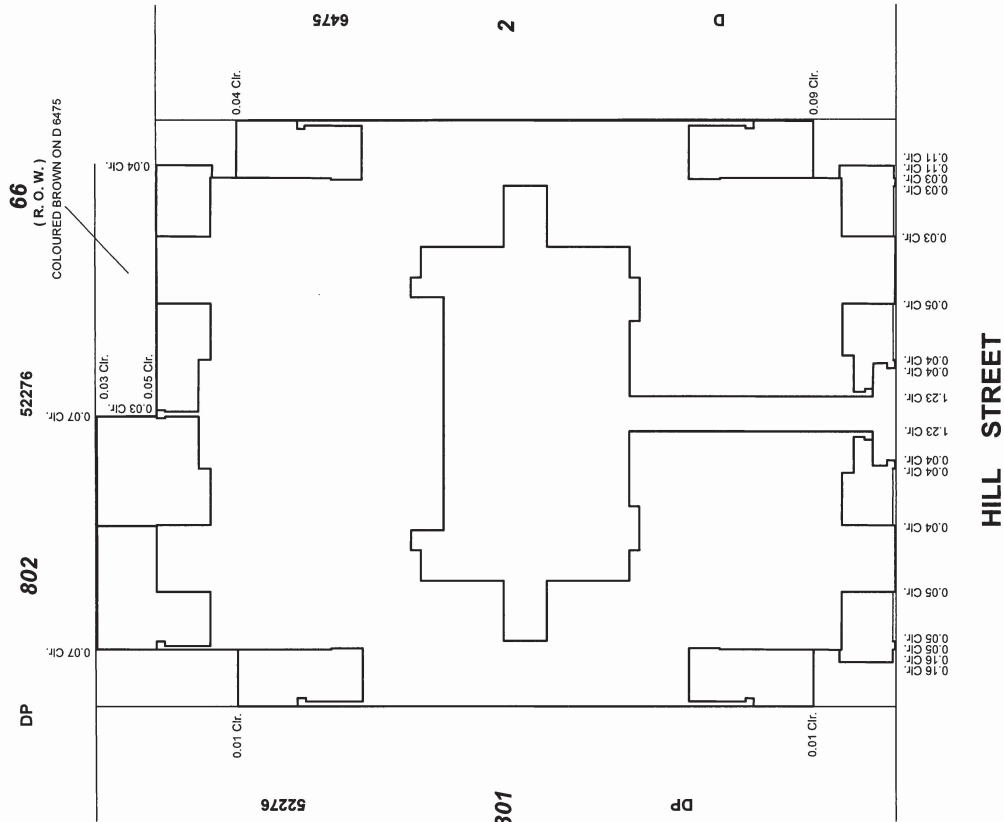
SHEET 2 OF 8 SHEETS

FOR INTERESTS AND NOTIFICATIONS SEE SHEET 1

GROUND FLOOR LOCATION PLAN



1 : 250 @ A3



Tele. (08) 9354 8511
Fax. (08) 9354 8522
P.O. Box 118, WILLETTON 6955
Email. links@surveylink.com.au
LINKS Ref No. 14059006



Land Development Consultants and Licensed Surveyors

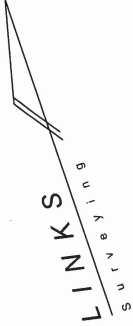
2009.05.06
14:30:38 +08'00'

LICENSED SURVEYOR - Alistair Cameron Millar

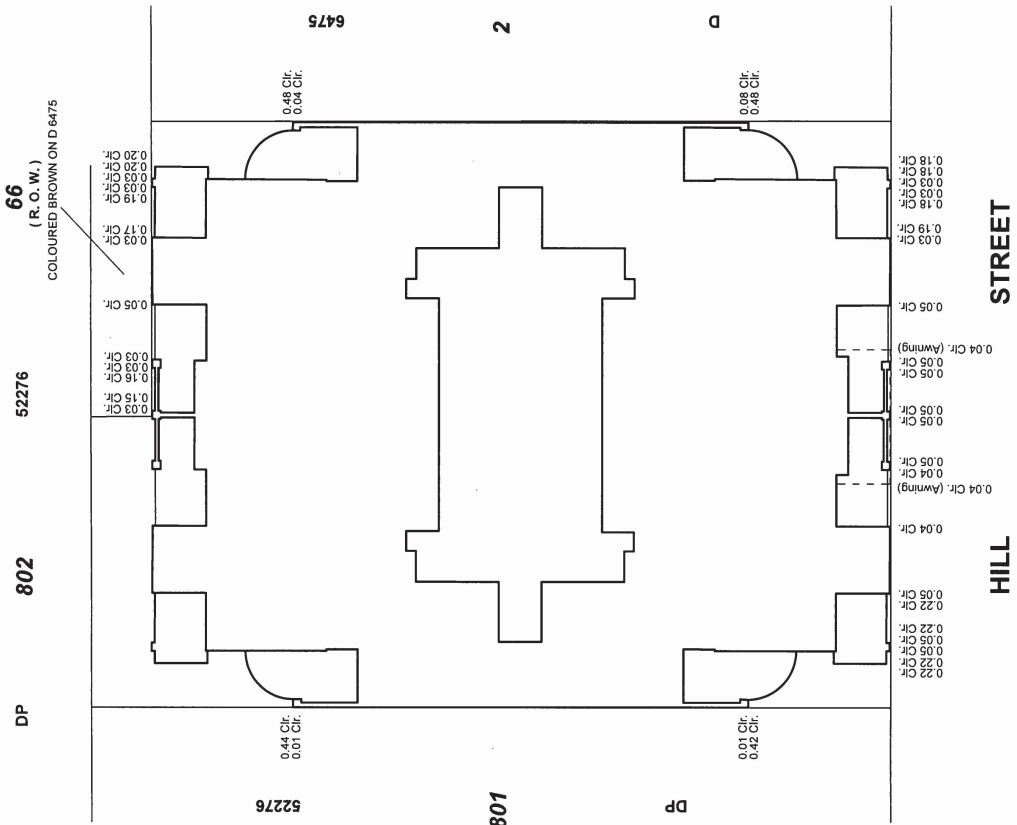
STRATA PLAN
50270
 SHEET 3 OF 8 SHEETS

FOR INTERESTS AND NOTIFICATIONS SEE SHEET 1

FIRST AND SECOND FLOOR
 LOCATION PLAN



1 : 250 @ A3



LINKS
 Surveying
 Land Development Consultants and Licensed Surveyors

Tel: (08) 9354 8511
 Fax: (08) 9354 8522
 P.O. Box 118, WILLETTON 6955
 Email: links@surveylink.com.au
 LINKS Ref No. 14059006

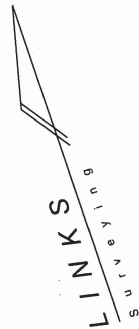
[Signature]
 2009.05.06 14:30:28 +08'00'
 LICENSED SURVEYOR - Alistair Cameron Millar

STRATA PLAN
50270
 SHEET 4 OF 8 SHEETS

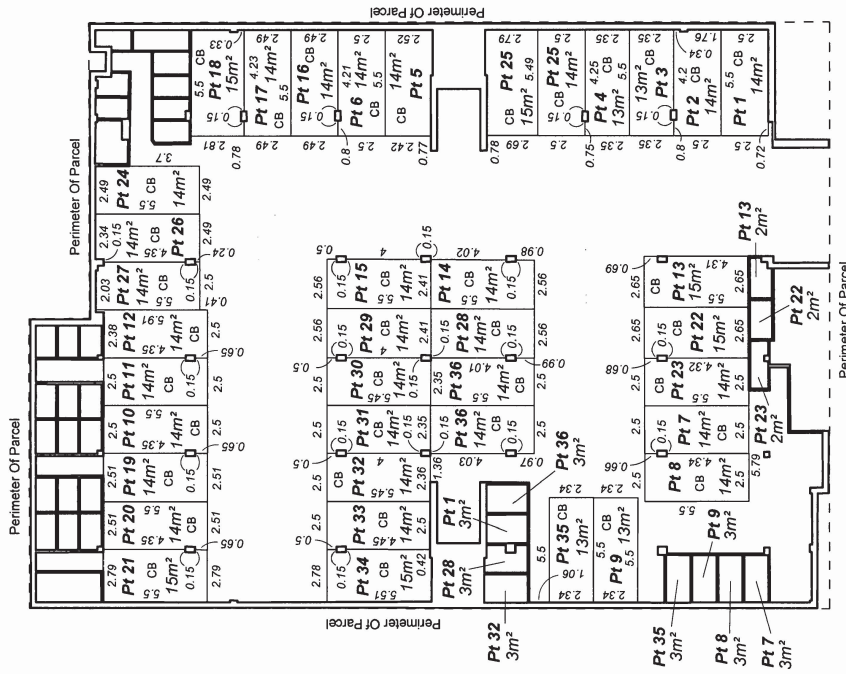
FOR OTHER PARTS OF LOTS 1 - 12 SEE SHEET 5.
 FOR OTHER PARTS OF LOTS 13 - 24 SEE SHEET 6.
 FOR OTHER PARTS OF LOTS 25 - 36 SEE SHEET 7.

FOR UNLABELLED PART LOTS 2 - 6, 10 - 12, 14 - 21, 24 - 27, 29 - 31, 33 & 34 SEE SHEET 8.

LOWER GROUND FLOOR PLAN



1 : 250 @ A3



THE BOUNDARIES OF THE LOTS OR PARTS OF THE LOTS WHICH ARE BELONGING SHOWN ON THE STRATA PLAN ARE THE BOUNDARIES OF THE UPPER SURFACE OF THE FLOOR AND THE UNDER SURFACE OF THE CEILING AS PROVIDED BY SECTION 3 (2) (a) OF THE STRATA TITLES ACT 1985.

THE STRATUM OF THE CARBAY PART LOTS (CB) EXTENDS FROM THE UPPER SURFACE LEVEL OF THEIR RESPECTIVE PAVING TO THE UNDER SURFACE OF THE COVER ABOVE.

WHERE APPLICABLE MEASUREMENTS ARE FROM THE EXTERNAL SURFACE OF THE BUILDING WALLS.

EXCLUDING THE PERIMETER OF PARCEL ANGLES ARE MULTIPLES OF 45 DEGREES UNLESS STATED OTHERWISE OR ARE PERMANENT MONUMENTS.

ALL WALLS, PILLARS AND VOIDS SHOWN ON THE STRATA PLAN ARE COMMON PROPERTY.

CB - CARBAY

Tel: (08) 9354 8511
 Fax: (08) 9354 8522
 P.O. Box 118, WILLETTON 6955
 Email: links@surveylink.com.au
 LINKS Ref No. 14058006



2009.05.06
 14:30:17 +08'00'

[Signature]

LICENSED SURVEYOR - Alistair Cameron Millar

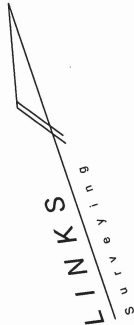
STRATA PLAN

50270

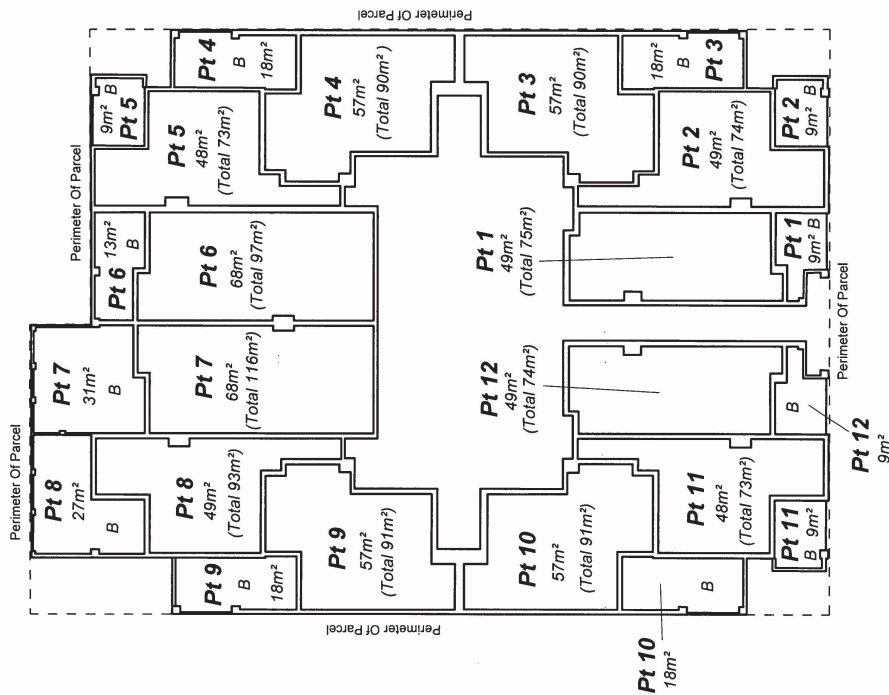
SHEET 5 OF 8 SHEETS

FOR OTHER PARTS OF LOT 1 & 7 - 9 SEE SHEET 4.
FOR OTHER PARTS OF LOTS 2 - 6 & 10 - 12 SEE SHEETS 4 & 8.

GROUND FLOOR PLAN



1 : 250 @ A3



THE BOUNDARIES OF THE LOTS OR PARTS OF THE LOTS WHICH ARE BUILDINGS SHOWN ON THE STRATA PLAN ARE THE INNER SURFACES OF THE WALLS, THE UPPER SURFACE OF THE FLOOR AND THE UNDER SURFACE OF THE CEILING AS PROVIDED BY SECTION 3 (2) (a) OF THE STRATA TITLES ACT 1985.

THE BOUNDARIES OF THE LOTS OR PARTS OF THE LOTS WHICH ARE CHIEFS OF THE WALLS OR BARRIERS, ARE THE INNER SURFACES OF THEIR WALLS OR BARRIERS, THE UPPER SURFACE OF THEIR FLOOR AND THE UNDER SURFACE OF THEIR CEILING OR WHERE APPLICABLE THE PROLONGATION OF THE UNDER SURFACE OF THE CEILING OF THEIR RESPECTIVE ADJOINING PART LOT.

ALL WALLS, PILLARS AND VOIDS SHOWN ON THE STRATA PLAN ARE COMMON PROPERTY.

B - BALCONY

LINKS
Surveying
Land Development Consultants and Licensed Surveyors

Tel: (08) 9354 8511
Fax: (08) 9354 8522
P.O. Box 118, WILLETTON 6955
Email: links@surveylink.com.au
LINKS Ref No. 14058006

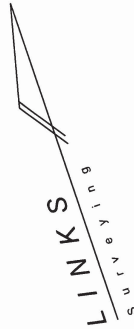
[Signature]
2009.05.06
14:29:30 +08'00'

LICENSED SURVEYOR - Alistair Cameron Millar

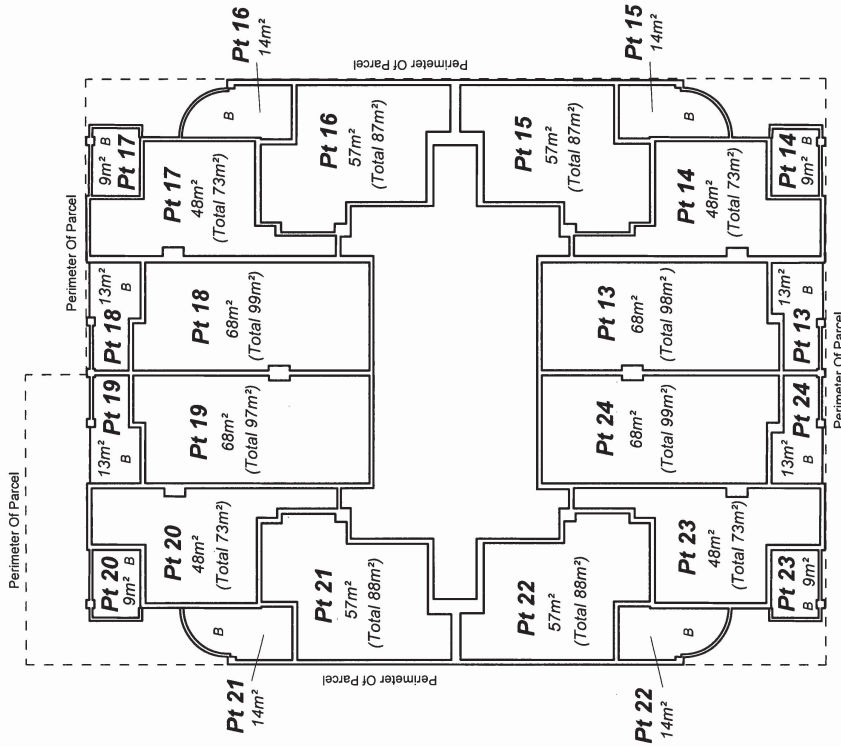
STRATA PLAN
50270
 SHEET 6 OF 8 SHEETS

FOR OTHER PARTS OF LOTS 13 & 22 - 23 SEE SHEET 4.
 FOR OTHER PARTS OF LOTS 14 - 21 & 24 SEE SHEETS 4 & 8.

FIRST FLOOR PLAN



1 : 250 @ A3



THE BOUNDARIES OF THE LOTS OR PARTS OF THE LOTS WHICH ARE BUILDINGS SHOWN ON THE STRATA PLAN ARE THE INNER SURFACES OF THE WALLS, THE UPPER SURFACE OF THE FLOOR AND THE UNDER SURFACE OF THE CEILING AS PROVIDED BY SECTION 3 (2) (a) OF THE STRATA TITLES ACT 1985.

THE BOUNDARIES OF THE LOTS OR PARTS OF THE LOTS WHICH ARE BALCONIES (B) ON THE STRATA PLAN ARE THE INNER SURFACES OF THEIR WALLS OR BARRIERS, THE UPPER SURFACE OF THEIR FLOOR AND THE UNDER SURFACE OF THEIR CEILING, OR WHERE APPLICABLE THE PROLONGATION OF THE UNDER SURFACE OF THE CEILING OF THEIR RESPECTIVE ADJOINING PART LOT.

ALL WALLS, PILLARS AND VOIDS SHOWN ON THE STRATA PLAN ARE COMMON PROPERTY.

B - BALCONY

2009.05.06
 14:29:19 +08'00'

LICENSED SURVEYOR - Alistair Cameron Millar

LINKS
 Surveying
 Land Development Consultants and Licensed Surveyors

Tel: (08) 9354 8511
 Fax: (08) 9354 8522
 P.O. Box 118, WILLETTON 6955
 Email: links@surveylink.com.au
 LINKS Ref No. 14058008

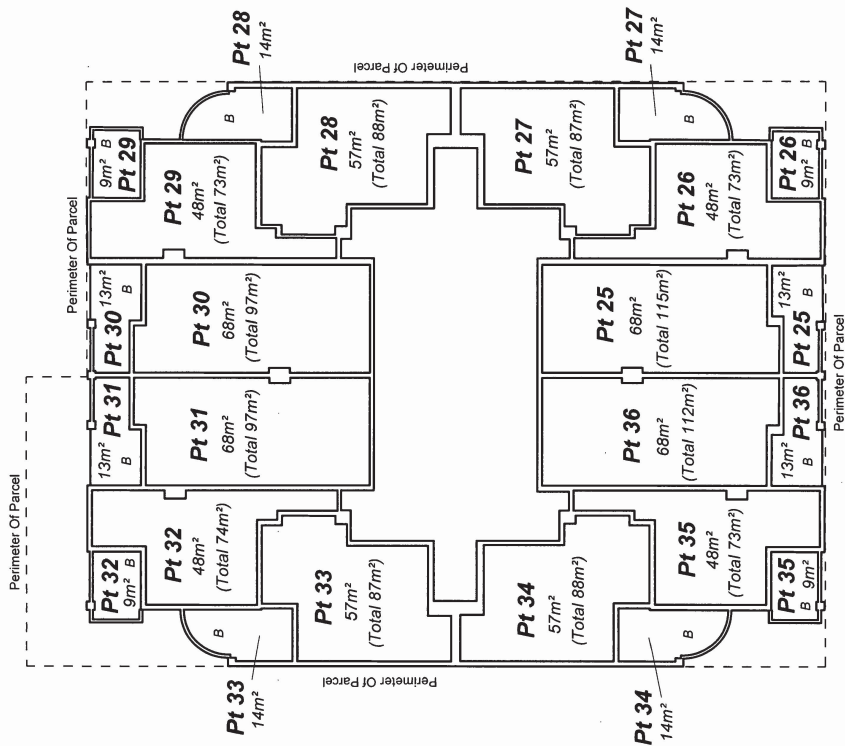
STRATA PLAN

50270

SHEET 7 OF 8 SHEETS

FOR OTHER PARTS OF LOTS 28, 32 & 35 - 36 SEE SHEET 4.
FOR OTHER PARTS OF LOTS 25 - 27, 29 - 31 & 33 - 34 SEE SHEETS 4 & 8.

SECOND FLOOR PLAN

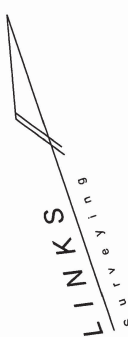


THE BOUNDARIES OF THE LOTS OR PARTS OF THE LOTS WHICH ARE BUILDINGS SHOWN ON THE STRATA PLAN ARE THE INNER SURFACES OF THE WALLS, THE UPPER SURFACE OF THE FLOOR AND THE UNDER SURFACE OF THE CEILING AS PROVIDED BY SECTION 3 (2) (a) OF THE STRATA TITLES ACT 1985.

THE BOUNDARIES OF THE LOTS OR PARTS OF THE LOTS WHICH ARE BALCONIES (B) ON THE STRATA PLAN ARE THE INNER SURFACES OF THEIR WALLS OR BARRIERS, THE UPPER SURFACE OF THEIR FLOOR AND THE UNDER SURFACE OF THEIR CEILING AS PROVIDED BY SECTION 3 (2) (a) OF THE STRATA TITLES ACT 1985.

ALL WALLS, PILLARS AND VOIDS SHOWN ON THE STRATA PLAN ARE COMMON PROPERTY.

B - BALCONY



1 : 250 @ A3



Tele. (09) 9354 8511
Fax. (09) 9354 8522
P.O. Box 118, WILLETTON 6955
Email. links@surveylink.com.au
LINKS Ref No. 14056008



2009.05.06

14:28:59 +08'00'

[Signature]

LICENSED SURVEYOR - Alistair Cameron Millar

STRATA PLAN No. 50270							
Schedule of Unit Entitlement		Office Use Only		Schedule of Unit Entitlement		Office Use Only	
		Current Cs of Title				Current Cs of Title	
Lot No,	Unit Entitlement	Vol.	Fol.	Lot No,	Unit Entitlement	Vol.	Fol.
1	24	2718 - 452		28	28	2718 - 479	
2	24	2718 - 453		29	25	2718 - 480	
3	27	2718 - 454		30	32	2718 - 481	
4	27	2718 - 455		31	32	2718 - 482	
5	24	2718 - 456		32	25	2718 - 483	
6	31	2718 - 457		33	28	2718 - 484	
7	31	2718 - 458		34	29	2718 - 485	
8	24	2718 - 459		35	26	2718 - 486	
9	27	2718 - 460		36	33	2718 - 487	
10	27	2718 - 461					
11	24	2718 - 462					
12	24	2718 - 463					
13	32	2718 - 464					
14	25	2718 - 465					
15	28	2718 - 466					
16	28	2718 - 467					
17	25	2718 - 468					
18	32	2718 - 469					
19	32	2718 - 470					
20	25	2718 - 471					
21	28	2718 - 472					
22	28	2718 - 473					
23	25	2718 - 474					
24	32	2718 - 475					
25	33	2718 - 476					
26	26	2718 - 477					
27	29	2718 - 478					

Continued Overleaf

FORM 5

Strata Titles Act 1985

Sections 5B(1), 8A, 22(1)

STRATA PLAN No. 50270

DESCRIPTION OF PARCEL & BUILDING

One, brick & iron, multi level, complex of 36 residential units situated on Lot 800 the subject of Deposited Plan 44882 and being the whole of land comprised in Certificate of Title Vol. 2596 Fol. 678 having an address of 121 Hill Street, East Perth, W.A. 6004, also known as 'Hill Street Gardens'.

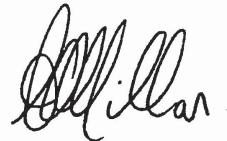
CERTIFICATE OF LICENSED SURVEYOR

I, **Alistair Cameron Millar**, being a licensed surveyor registered under the *Licensed Surveyors Act 1909*, certify that in respect of the strata plan which relates to the parcel and building described above (in this certificate called " the plan ")-

- (a) each lot that is not wholly within a building shown on the plan is within the external surface boundaries of the parcel; and
- (b) each building shown on the plan is within the external surface boundaries of the parcel.

Links Ref 14058

06th May 2009



.....
Licensed Surveyor

FORM 7

Strata Titles Act 1985

Sections 5B(2), 8A(f), 23(1)

STRATA PLAN No. 50270

DESCRIPTION OF PARCEL & BUILDING

One, brick & iron, multi level, complex of 36 residential units situated on Lot 800 the subject of Deposited Plan 44882 and being the whole of land comprised in Certificate of Title Vol. 2596 Fol. 678 having an address of 121 Hill Street, East Perth, W.A. 6004, also known as 'Hill Street Gardens'.

CERTIFICATE OF LOCAL GOVERNMENT

CITY OF PERTH, the local government hereby certifies that in respect of the strata plan which relates to the parcel and building described above (in this certificate called " the plan ") :-

- (1) the building and the parcel shown on the plan have been inspected and that it is consistent with the approved building plans and specifications in respect of the building; and
- (2) the building, in the opinion of the local government, is of sufficient standard to be brought under the *Strata Titles Act 1985*; and
- (3) *(a) any conditions imposed by the Western Australian Planning Commission have been complied with: or

~~*(b) the within strata scheme is exempt from the requirement of approval by the Western Australian Planning Commission.~~

*Delete if inapplicable

Date 7 MAY 2009 *Chief Executive Officer 

for *Delegated Officer under Section 23 (5)

Links Ref 14058

