

Code Compliance Certificate

Section 43(3), Building Act 1991

Application

H Purvis
C/O Woodland Builders Ltd
PO Box 11310, Sockburn
Christchurch

No.

030533

Issue date

7/09/04

Project

Description

New (& prebuilt) House, Unit, Bach, Crib, Town House etc.
Being Stage 1 of an intended 1 Stages

Intended Life

Dwelling with attached garage

Intended Use

Indefinite, but not less than 50 years

Estimated Value

Residential

Location

\$245,000

Legal Description

3 JOHNSON AVE, AMBERLEY 1726/3

Valuation No.

LOT 21 DP 75914 BLK VIII TEVIOTDALE SD

2143015000

This is a final Code Compliance Certificate issued in respect of all the building work under the above building consent.

Signed for and on behalf of the Council:

Name: _____

Date: 7-9-04

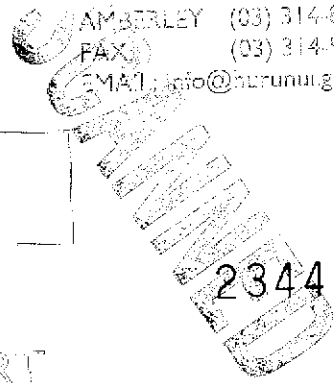


HURUNUI

District Council

P.O. BOX 13,
 AMBERLEY 8251,
 NEW ZEALAND.
 TELEPHONE:
 AMBERLEY (03) 314-6816
 FAX: (03) 314-9181
 EMAIL: info@hurunui.govt.nz

Rapid No: 1726-3	Consent No: 030533
---------------------	-----------------------



SITE INSPECTION REPORT

Name of Owner/Owner's Agent: H. Purvis
 Site Address: 3 Johnson Ave. Amberley
 Description of Consent: Dwelling with attached Garage.

COMMENTS

Interior checked out and water-splash areas sealed, Dents directed to exterior. Floors tiled. Ceiling cavity checked - downlights cleared of insulation. Toshiba Heat Pump fitted. H.W.C. Seismic Restraints - 3. Trench in place. Tempering Valve.

*Exterior:- Remaining works to complete. Fit grates to all downpipes, seal behind Gully dish outside main bathroom. Seal above meter box. Forward Plumbers Pressure Test Declaration plus As laid Drainage plan.

6/9/2004, All of above requests have now been fulfilled.

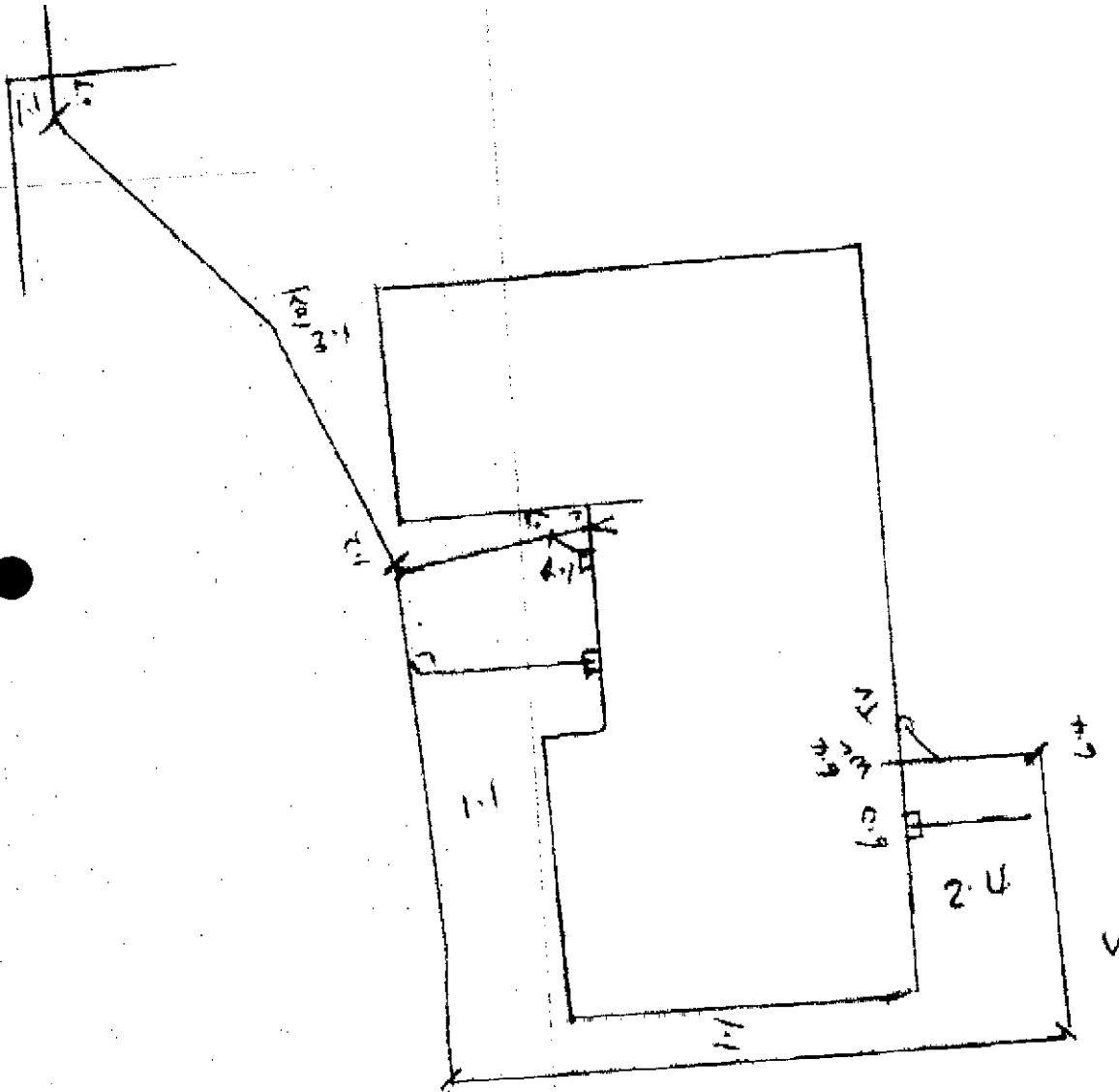
Delete that which is not applicable.

OK to issue Code Compliance Certificate.

INSTRUCTION TO OWNER/OWNER'S AGENT: <u>Woodland Bldgs Ltd</u>	INSPECTION TYPE <u>Final</u>
All work inspected is in accordance with the Building Consent	<input checked="" type="checkbox"/> FURTHER INSPECTION
Some work is not satisfactory as detailed above and rectification is required	REQUIRED YES / NO
A formal notice to rectify will be issued.	

SIGNED: _____ Officer: K.B. Roberts Date: 24 / 6 / 2004

Purvis Amberley



Drainage layout for Purvis house
3 Johnson Ave Amberley
Consent No 030533

Faxed to Culverden Service Centre



FAXED

to HMC 3/9/04



The Housing Specialist

Office/Showroom
158 Main South Road
Sockburn (Roundabout)
P O Box 11 310
Christchurch

Fix 348 0864
Fax 348 0866
www.housing.net.nz

FAX

To: Hurunui District Council

Date: 2-9-04

Attention: Ben

Fax No: 315-8946

From: Ron Doffield

Pages: 2

Ben please find drainage layout for
Lorris house 3 Johnson Ave Amberley
Consent No 030533

Can you please fax Code of Compliance
certificate to 03 3480864

Ron

FIELD CHECK SHEET

Owner Purvis Address

Construction dwelling

Location within site Site Pegs / Flagged

FOUNDATIONS Bearing Piles / Poles ~~Timber~~ / Concrete
 Anchor : Braced Cantilevered Ordinary
 Concrete Perimeter / Internal Piles Steel 2.0/6, 0.10
 Concrete Floor : aggregate Vapour Barrier
 Slab Fastening : Mesh / Slab Cutting
 Insulations Engineer Designed

Sub-Floor Fastening : Galv. Bolts Galv Brackets

Sub-Floor / Layout / Insulation / Flooring : (as per plan)

Fixing of framing above floor : Bolts Steel Dowel
 Tri-fold Tru Bolts Other

FRAMING : Studs 100x50 Douglas Fir Centres 600 Dwangs two rows
 BRACES & FIXING : Walls Phy. Gub Braces & Rebel Roof H.P.
 Moisture % 12.4 - 15.4 Insulation Pink Batts Building Paper Center Body Wrap

TRUSSES : Rafters Joists Fixing Seven Stud fasteners
 PURLINS : Purlin Choke 3x4 Tile Battens Beams Flitch above garage door

CEILING BATTENS : 75x40 @ 400 Dwangs Ceiling Runners
 Insulation Pink Batts Moisture % 9.8 - 14.36

ROOFING : Galvanized Iron Colour Steel
 Concrete Tile Membranes Gutter
 Building Paper Roofing Underlays Black Sarking

EXTERIOR JOINERY : Aluminium Timber
 Other Flashings : Head Side

EXTERIOR CLADDING : Brick / Block veneer Ties
 Timber Purpose made W / B Plaster
 Cement Sheet Concrete

INTERIOR LININGS : Gypsum Plaster Bd. Fibreboard
 Softwood Fibre Hardboard : Other

INTERIOR JOINERY : Doors Joinery

COMBUSTION FIRE : Hearth Wall Protection
Roof / Ceiling Clearances Make and Model

PLUMBING : Water HP LP County Own
Pressure Test * Tank Restraints Tank Tray Overflow
Pressure Reducer Mains Cylinder
Circulators Wet Back Solar Heater Lagging
Clipping Wastes Soil Stack Vents

TV BV's Room Ventilation: Fan Natural
Cylinder restraints * Tempering valve * Pressure Reducing Valve
Mains Cylinder Safety Valves Filter Drain Cock
WC Vent Overflow Seals etc
Wastes Traps Taps and Coding
Stormwater Spoutings/gutters Downpipes

DRAINAGE : Stormwater Outfall/soak hole
Sewer Drains Septic Tank Disposal system
AS LAID PLAN Sewer Stormwater

Notes : 16-1-04 Foundations docket 1861 Not completed

21/4/2004 19-1-04 Slab docket 1871
Pre-line - Well fastened & secured. Braced as per plan.
Insulated. Douglas Fir below 16% moisture content.
See Docket No 2453. K.B.K.

7/5/2004 Call to inspect sub lined walls before stopping. Noted where
bracing placed with screws around perimeter at 150 c/c.
Brace line washer nailed off as per sub. Bracing later to be
(Brace in wall between dining & busette but no sub. table due to
heat pump location.) K.B.K.

10/5/2004 Check drains - Sewer & Stormwater - Area of Sewer drains
East of garage required altering to achieve full wall
void in chip ballast. See docket No 2460 K.B.K.

26/6/2004 Check for final exterior completed, including Smith Allan
Exterior, required gully to stormwater pipes below down pipes.
Seal behind gully outside main busette. Seal above meter box.
Supply as laid drainage plan, plus Plumbon because test
Declaration. K.B.K.

6/9/2004 Re-check and all of above items now completed and
as laid drainage plan has been provided. K.B.K.