



Title Plan - LT 624628

Survey Number LT 624628
Surveyor Reference J000044 Tian
Surveyor Reuben Alexander Willoughby Ferguson
Survey Firm Infill Tapui Limited
Surveyor Declaration

Survey Details

Dataset Description Lots 1 to 8 being subdivision of Lots 9 & 10 DP 7406
Status Initiated
Land District Wellington
Submitted Date
Survey Class Class A
Survey Approval Date
Deposit Date

Territorial Authorities

Kapiti Coast District

Comprised In

RT WN610/260
RT WN620/5

Created Parcels

Parcels	Parcel Intent	Area	RT Reference
Lot 1 Deposited Plan 624628	Fee Simple Title	0.0485 Ha	1269357
Lot 2 Deposited Plan 624628	Fee Simple Title	0.0201 Ha	1269358
Lot 3 Deposited Plan 624628	Fee Simple Title	0.0202 Ha	1269359
Lot 4 Deposited Plan 624628	Fee Simple Title	0.0213 Ha	1269360
Lot 5 Deposited Plan 624628	Fee Simple Title	0.0204 Ha	1269361
Lot 6 Deposited Plan 624628	Fee Simple Title	0.0201 Ha	1269362
Lot 7 Deposited Plan 624628	Fee Simple Title	0.0201 Ha	1269363
Lot 8 Deposited Plan 624628	Fee Simple Title	0.0212 Ha	1269364
Area A Deposited Plan 624628	Easement		
Area B Deposited Plan 624628	Easement		
Area C Deposited Plan 624628	Easement		
Area D Deposited Plan 624628	Easement		
Area E Deposited Plan 624628	Easement		
Area F Deposited Plan 624628	Easement		
Area G Deposited Plan 624628	Easement		
Area H Deposited Plan 624628	Easement		
Area I Deposited Plan 624628	Easement		
Total Area		<hr/> 0.1919 Ha	

LT 624628 Schedule/Memorandum

Land registration district
Wellington

Territorial authority
Kapiti Coast District

Schedule of Easements in Gross

Parcels shown with a prefix of *HL*- include height-limited boundaries

PURPOSE	SHOWN	BURDENED LAND	GRANTEE
Right to convey telecommunications	A	Lot 1	Chorus New Zealand Limited
Right to convey gas	A	Lot 1	First Gas NZ

Memorandum of Easements

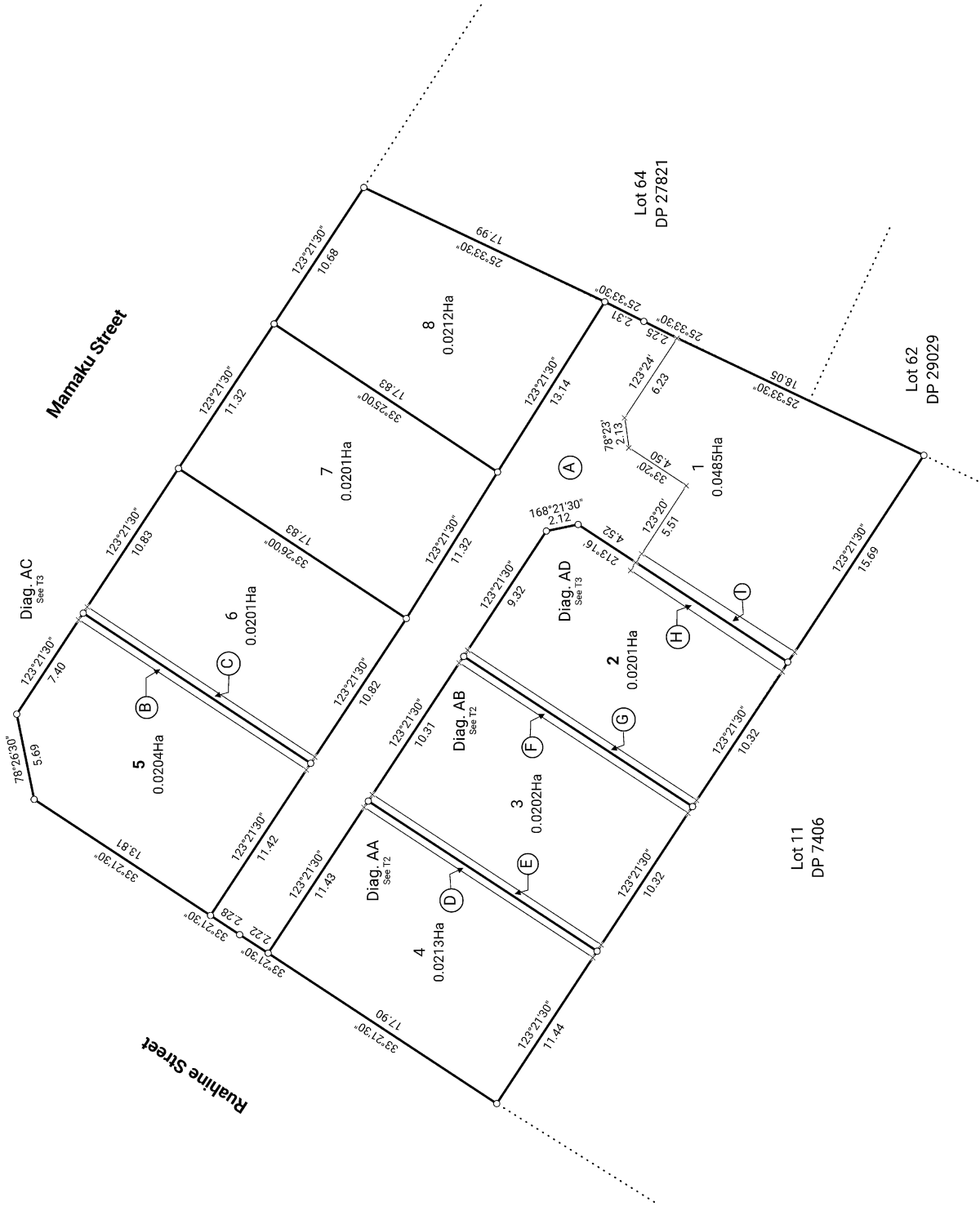
PURPOSE	SHOWN	BURDENED LAND	BENEFITED LAND
Right of way Right to drain water Right to convey water	A	Lot 1	Lot 2, Lot 3
Right of way	A	Lot 1	Lot 2, Lot 3, Lot 4
Right to convey electricity, gas, telecommunications	A	Lot 1	Lot 2, Lot 3, Lot 4, Lot 5, Lot 6, Lot 7, Lot 8
Right to drain sewage	A	Lot 1	Lot 2, Lot 3, Lot 5, Lot 6, Lot 7

Schedule of Easements

PURPOSE	SHOWN	BURDENED LAND	BENEFITED LAND
Right to convey water	B	Lot 5	Lot 6
" "	C	Lot 6	Lot 5
" "	D	Lot 4	Lot 3
" "	E	Lot 3	Lot 4
" "	F	Lot 3	Lot 2
" "	G	Lot 2	Lot 3
" "	H	Lot 2	Lot 1
" "	I	Lot 1	Lot 2



Diag. A



T 1/3

Land District: Wellington

Digitally Generated Plan

Generated on: 03/03/2026 10:08am Page 3 of 5

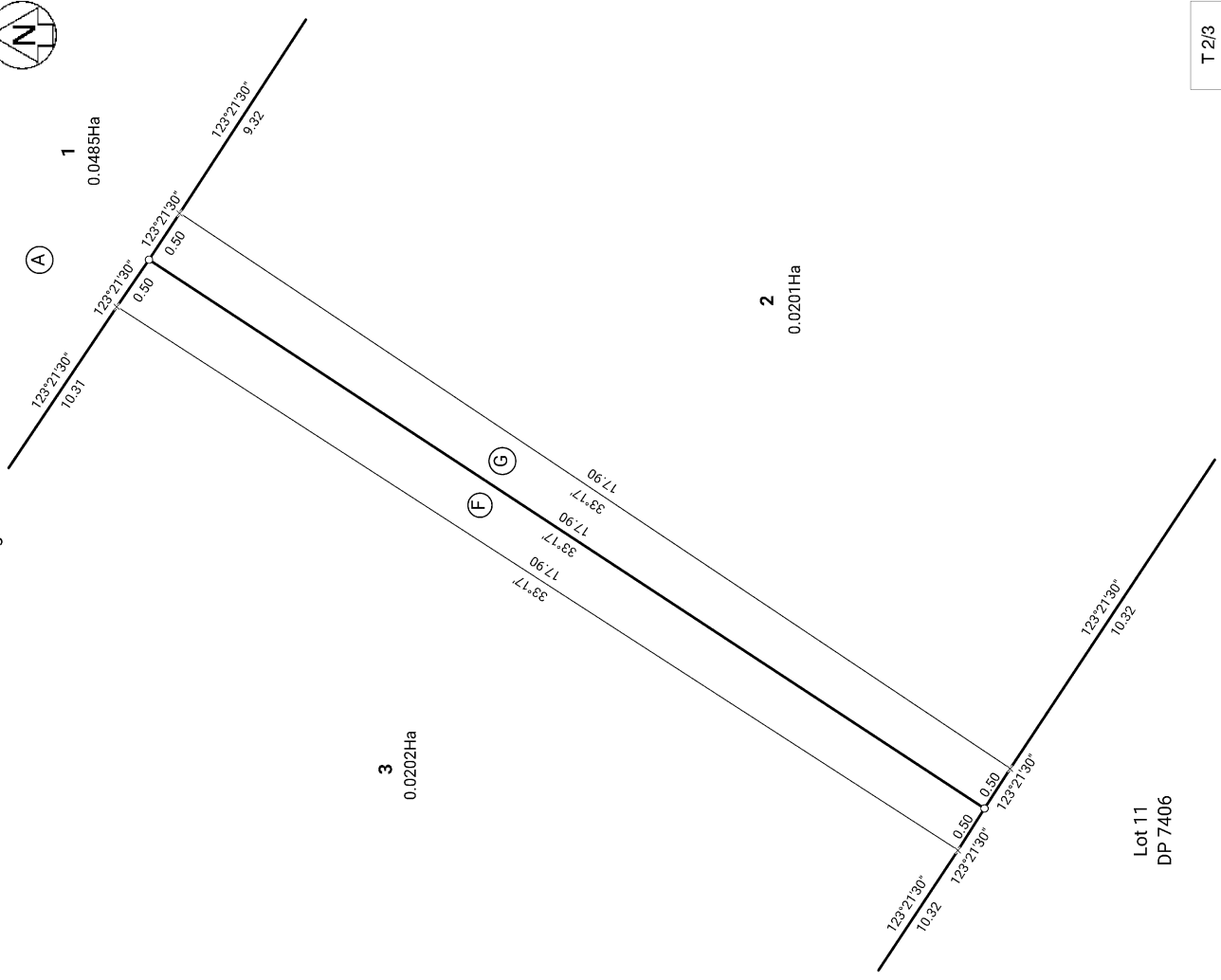
Lots 1 to 8 being subdivision of Lots 9 & 10 DP 7406

Surveyor: Reuben Alexander Willoughby F
Firm: Infill Tapui Limited

**Title Plan
LT 624628
DRAFT**



Diag. AB



T 2/3

Title Plan
LT 624628
DRAFT

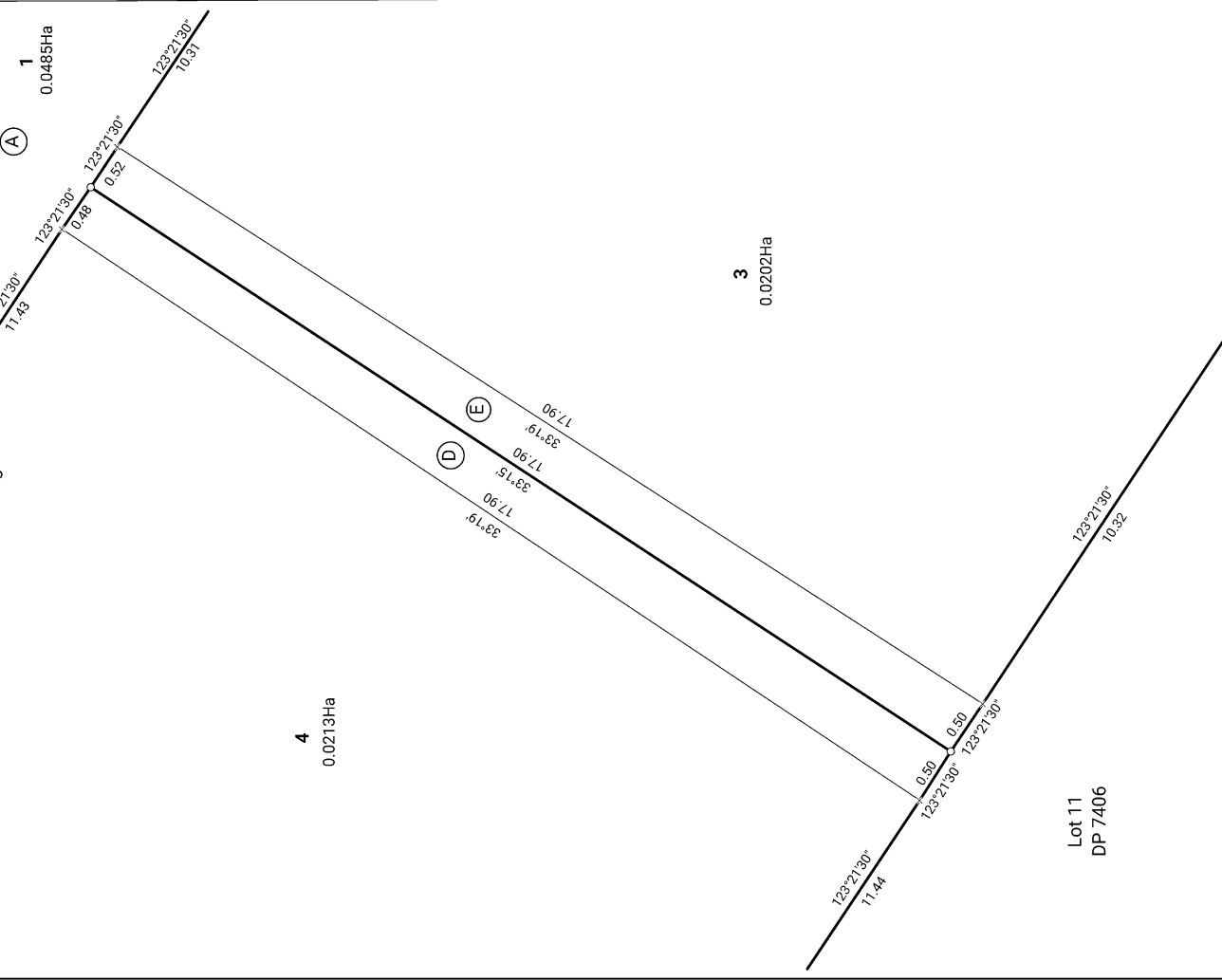
Surveyor: Reuben Alexander Willoughby F
Firm: Infill Tapui Limited

Lots 1 to 8 being subdivision of Lots 9 & 10 DP 7406

Land District: Wellington

Digitally Generated Plan
Generated on: 03/03/2026 10:08am Page 4 of 5

Diag. AA



T 2/3

Title Plan
LT 624628
DRAFT

Surveyor: Reuben Alexander Willoughby F
Firm: Infill Tapui Limited

Lots 1 to 8 being subdivision of Lots 9 & 10 DP 7406

Land District: Wellington

Digitally Generated Plan
Generated on: 03/03/2026 10:08am Page 4 of 5

