



Inspections and Enforcement Unit

Archived File and Pre-CCC Prompt Sheet

Consent No: ABA 10102071	Building Category: <input type="checkbox"/> 1 <input type="checkbox"/> 2 <input type="checkbox"/> 3 <input type="checkbox"/> 4 <input type="checkbox"/> 5 <input type="checkbox"/> 6
Address: 1 Gilmore Place	
Description of Work: Solid fuel heater - Inbuilt	

SECTION A – Archived File

	Included in File
Compliance Schedule and/or Compliance Statement (if applicable)	<input checked="" type="checkbox"/>
Code Compliance Certificate	<input checked="" type="checkbox"/>
Documentation as identified in Section B	<input checked="" type="checkbox"/>
Inspection Reports attached	<input type="checkbox"/>
Development Fees paid (if applicable)	<input type="checkbox"/>
Building Consent	<input checked="" type="checkbox"/>
Inspection Schedule (excludes Solid / Liquid Fuel Appliances)	<input type="checkbox"/>
Conditions of Consent (if applicable)	<input type="checkbox"/>
Approvals Processing Pack	<input checked="" type="checkbox"/>
Specifications (if applicable)	<input checked="" type="checkbox"/>
Plans	<input checked="" type="checkbox"/>
Certificate for Public Use (if applicable)	<input type="checkbox"/>
Form B-206 – PS Assessment (if applicable) – specify how many sheets: _____	<input type="checkbox"/>

Bolded items = are mandatory and must be included in the file

Important Notes: (e.g. Waivers, CCC refused, modification of date of CCC for B2 purposes, etc)

SECTION B – Document Check

ATTACH OTHER REPORTS

All Projects (except Specified Small Works)

Tick box if N/A

When checking documentation, check to ensure all forms, letters, etc, contain all necessary information and have been completed in full and are signed. Information must confirm compliance. Acceptance or Refusal of PS3 and PS4 Producer Statements must be documented on the Producer Statement (PS3 and PS4) Assessment Sheet Form(s) B-206.

Documentation		Documentation	
Application for CCC	<input checked="" type="checkbox"/>	Amended Plans	<input type="checkbox"/>
Application for Modification	<input type="checkbox"/>	Compliance Schedule List	<input type="checkbox"/>
Pegging Certificate	<input type="checkbox"/>	FPIS Fire Alarm	<input type="checkbox"/>
Profile Certificate	<input type="checkbox"/>	Sprinkler Installer	<input type="checkbox"/>
Surveyor Certificate - FFL	<input type="checkbox"/>	FPIS Sprinkler	<input type="checkbox"/>
Geotek - Ground	<input type="checkbox"/>	Emergency Lighting	<input type="checkbox"/>
Safety Glass / Balustrade	<input type="checkbox"/>	Extraction (Smoke)	<input type="checkbox"/>
Timber Treatment Certificate	<input type="checkbox"/>	Intumescent Fire Protection	<input type="checkbox"/>
Cladding PS3	<input type="checkbox"/>	Smoke Pressurisation	<input type="checkbox"/>
Contractor PS3	<input type="checkbox"/>	Automatic Doors (Fail Safe) Certificate	<input type="checkbox"/>
Backflow IQP Test Report	<input type="checkbox"/>	Fire Engineer – PS4	<input type="checkbox"/>
Solid Heating Installer (B-012)	<input type="checkbox"/>	Alarm Installer	<input type="checkbox"/>
Water Pressure (Form B-084)	<input type="checkbox"/>	Waterproofing – Shower Area	<input type="checkbox"/>
Engineer – PS4	<input type="checkbox"/>	Waterproofing – Floors	<input type="checkbox"/>
PS4 / PS3 – Other (list below)	<input type="checkbox"/>	Waterproofing – Roofs / Decks	<input type="checkbox"/>
.	<input type="checkbox"/>	Waterproofing – Tanking	<input type="checkbox"/>
.	<input type="checkbox"/>	Energy works – Gas	<input type="checkbox"/>
.	<input type="checkbox"/>	Energy works – Electrical	<input type="checkbox"/>
.	<input type="checkbox"/>	Mechanical Ventilation	<input type="checkbox"/>
Truss Plan	<input type="checkbox"/>	Lift Certification	<input type="checkbox"/>
As-built Drainage	<input type="checkbox"/>	Other	<input type="checkbox"/>

Specified Small Works (as defined on B-001)

Tick box if N/A

Type of Work

- Backflow Preventers (T15)
- Marquee or Temp Buildings (MAR)
- Residential Demolition (T14)
- Residential Solar Hot Water Heaters (T18)
- Shade Sails (T31)
- Solid / Liquid Fuel Burner (T11)
- Swimming Pool Fence (T12)
- Above-ground Swimming or Spa Pool (T12)

Document Check

- Application for CCC – B-011 / B-012
- IQP Test Report
- Swimming Pools referred to Enforcement
- Drain Cut and Sealed
- Water Pressure (Form B-084)
- Energy Works Certificate – Electrical

Officer's Notes / Requests for Further Information:

SECTION C – Building Inspection Construction Record

Tick (✓) box to show the inspections completed. Cross (X) box to show estimated inspections required but not undertaken. Where a forecast (estimate) inspection has not been completed other evidence will be needed, to be satisfied on reasonable grounds that work complies with the building consent the decision and reasons to accept this evidence is to be recorded. If only one inspection is undertaken this shall be recorded as the Final Inspection (e.g. Solid Fuel Heater). Cross check and compile all records in chronological order. Ensure appropriate photo's attached to each inspection record (as applicable).

INSPECTIONS SUMMARY LIST		Estimate (from B-105) <i>(Record numerically)</i>	Completed <i>(Record numerically)</i>	No Units / Inspections									
				1	2	3	4	5	6	7	8		
201	Excavation / Foundation / Reinforcing												
202	Sub-Floor Drainage												
203	Slab on Grade / DPC												
221	Blockwork Construction												
204	Frame Construction Sub-Floor												
217	Pre-roof												
215	Building and Sill Wrap												
213	Flashings – Windows and Doors												
211	Half High Brick Inspection												
225	Brick Shelf Angle												
214	Monolithic Cladding – Pre-Coating												
224	Solid Plaster												
205	Pre-lining / including Plumbing and Insulation (prior to installation of insulation)												
INS	Insulation (no charge inspection)												
216	Bathroom & Deck Tanking (before tiling)												
206	Plumbing												
220	Concrete Construction												
222	Steel Construction												
223	Timber Construction												
207	Fire Resistant Linings												
209	Pre-Stopping / Bracing												
212	Retaining Wall Drainage												
208	Drains												
226	Fire Safety Systems												
232	Solid Fuel Heater												
210	M8 FINAL Inspection	1	1										
238	Audit Inspection												
219	Office Time												
TOTAL:		1	1										

Debit: Refund: **Transfer to Section G**

Officer's Notes / Requests for Further Information:

SECTION E - Final Check - Inspections

Cross check and compile all records in chronological order.

Photo's provided as per Guidance Document GD040. Ensure appropriate photo's attached to each inspection record (as applicable) are stored in TRIM.

All amendments identified / addressed

All inspections required undertaken and approved

All questions resolved in respect to failed inspections

All consent conditions met

All resource consent conditions met (notify enforcement if not)

Age of consent – is an amendment required to modify the date of CCC?

Does section 72 apply and registration completed?

Does section 77 apply and registration completed?

Webmap Update Request (B-655) completed and forwarded (if applicable)

Does a new / altered Compliance Schedule / Compliance Statement need to be issued?

Outcome

Approved to issue Code Compliance Certificate?

Further action required?

Notice to Fix required?

Notes:

SECTION F – CCC Approval

Building Act Section 94; Matters for consideration by building consent authority in deciding issue of code compliance certificate:

The Christchurch City Council BCA is satisfied on reasonable grounds that;

- The building work complies with the building consent; and
- Where applicable altered or new compliance schedule that the specified systems in the building are capable of performing to the performance standards set out in the building consent; and
- There are not warnings or bans and under section 28(2) relates to a building method or product that has, or may have been used or applied in the building work; and
- All energy work certificates in relation to energy working in respect to the building consent has been provided by the owner.

PROJECT COMPLETED Date: 10/6/10

Application CCC Received Date: 11/6/10

Officer's Name: Ian Burford

Signature: 

Date: 11/6/10

Officer Level:

BI CCC Auditor: Lolett Newman
Code Compliance Auditor
Date: 15/6/10

Signature: 

Officer Level:

SECTION G – Administration Final Check

Any outstanding fees / levies?

GEMS and statutory time frame spreadsheet updated?

All sections appropriately completed by Inspector?

Letter received from Swimming Pool Team (if applicable)?

New / altered Compliance Schedule / Compliance Statement received from BOWOF?

Inspection reconciliation: Number of inspections _____ (from Section C) Debit Refund

Notes:

Admin Officer's Name: Lolett Newman
Code Compliance Auditor
Date: 15/6/10

Signature: 

Officer Level:



CHRISTCHURCH CITY COUNCIL
CODE COMPLIANCE CERTIFICATE
SECTION 95, BUILDING ACT 2004

BA7
 PROJECT NO:
10102071

THE BUILDING	
Street Address: 1 GILMORE PLACE, BURNSIDE, CHRISTCHURCH 8005	
Legal Description: LOT 2 DEPOSITED PLAN 26914	
Other: _____	
Use of building: Solid Fuel Heaters	
THE OWNER	AGENT – FIRST POINT OF CONTACT
Full Name(s): WHITEHEAD, ROBERT BRUCE WHITEHEAD, SHIRLEY SIMMONS	Name: WHITEHEAD, ROBERT BRUCE
Mailing Address: 1 GILMORE PLACE CHRISTCHURCH 8053	Mailing Address: 1 GILMORE PLACE CHRISTCHURCH 8053
<ul style="list-style-type: none"> BUILDING WORK. The following work was authorised by this building consent: ETHOS ARES INBUILT DRY WOODBURNER CAC 03001 	

The Christchurch City Council is satisfied, on reasonable grounds, that the building work complies with the building consent: and (ticked where applicable)

The specified systems in the building are capable of performing to the performance standards set out in the building consent.

Attachments:

- Yes N/A Compliance Schedule
- Yes N/A Compliance Schedule Statement
- Yes N/A Supplementary sheet with specific information on the use of the building.

Signed for & on behalf of the Christchurch City Council:

Name: 
 Position: Building Inspection Co-ordinator

Date of issue: 15/06/2010

Inspections and Enforcement Unit

Application for a Code Compliance Certificate for a Solid / Liquid Fuel Heater



Section 92, Building Act 2004 - Building (Forms) Regulations 2004 - Form 6

1. The Building Consent

Building Consent project number ABA 10102071 issued by the Christchurch City Council.

Street Address: 1 GILMORE PLACE, RUSSLEY, CH. CH. 8053.

2. The Owner

The Owner (as defined by the Building Act)

Full name(s): WHITEHEAD, ROBERT BRUCE.

Contact person: AS ABOVE.

Address: No and Street Name: 1 GILMORE PLACE.

Suburb: RUSSLEY.

City: CH. CH. Post Code: 8053.

Postal: Same as above

Box/Street Name:

Suburb/Lobby:

City:

Phone numbers: Day: 03-358-8221 Mobile: —

After hours: AS ABOVE Fax: NONE.

Email: riverbendnz@gmail.com

Agent - First point of contact (must be authorised by the owner to make this application)

Full name(s):

Contact person:

Address: No and Street Name:

Suburb:

City:

Postal: Same as above

Box/Street Name:

Suburb/Lobby:

City:

Phone numbers: Day:

After hours:

Email:

Relationship to owner:

Code Compliance Certificate to be posted to: R. B. WHITEHEAD, 1 GILMORE PLACE, RUSSLEY, CH. CH. 8053.

- I request that you issue a Code Compliance Certificate for the building work described in this application.
- For building consents issued prior to 31 March 2005, the work was completed in compliance with the Building Code that applied at the time of issue. (insert date of issue.)
- The work was completed in accordance with the approved building consent documents on: 21ST MAY 2010 (insert date)
- The personnel who carried out the building work are listed in the attached statement.

Signed: R. B. Whitehead

Signature of: R. B. WHITEHEAD
(Print name)

Dated: 21ST MAY 2010

Owner / Agent on behalf of and with the consent of the owner
(Delete one)

Note to applicants: A Code Compliance Certificate will not be issued until all of the information required on this form that is relevant to the job is provided to the Council. This includes all names and registration numbers.

3. Contacts

[Who was involved in this project? Provide all details where known or relevant.]

Installer:
 Business/Name: WHITEHEAD PLUMBING & GAS LTD
 PO Box/Street Name: 7375 SYDENHAM
1 GRAFTON STREET
 Suburb/Lobby: SYDENHAM
 City: CH.CH Post Code:
 Phone: Day: 3-790-711 Mobile:
 A/H: Fax: 377-2217
 Email: info@whiteheadplumbing.co.nz
 Reg No: 5961 Documents Attached?:

Craftsman Plumber:
 Business/Name: Mark Whitehead
 PO Box/Street Name: 7375 Sydenham
ChCh
 Suburb/Lobby:
 City: Post Code: 9240
 Phone: Day: 3790711 Mobile: 0212304368
 A/H: 3266792 Fax: 3772217
 Email: mark@whiteheadplumbing.co.nz
 Reg No: 5961 Documents Attached?:

4. Compliance Checklist

For the installation of a: Solid Fuel Heater Liquid Fuel Heater Free-standing Inbuilt

Make: ETHOS ARES Model: INBUILT DRY WOODBURNER Registration No.:

	[Tick as appropriate]	Yes	No	N/A
The existing chimney has been cleaned prior to installation	<input type="checkbox"/>	<input type="checkbox"/>	<input type="checkbox"/>	<input checked="" type="checkbox"/>
Is the fireplace surround / chimney face junction sealed up with heat resistance material?	<input checked="" type="checkbox"/>	<input type="checkbox"/>	<input type="checkbox"/>	<input type="checkbox"/>
The flue pipe is constructed of austenitic stainless steel	<input checked="" type="checkbox"/>	<input type="checkbox"/>	<input type="checkbox"/>	<input type="checkbox"/>
Seismic restraint has been fitted	<input checked="" type="checkbox"/>	<input type="checkbox"/>	<input type="checkbox"/>	<input type="checkbox"/>
The flue sections are secured together with stainless steel rivets	<input checked="" type="checkbox"/>	<input type="checkbox"/>	<input type="checkbox"/>	<input type="checkbox"/>
The flue is secured to the appliance	<input checked="" type="checkbox"/>	<input type="checkbox"/>	<input type="checkbox"/>	<input type="checkbox"/>
The chimney void has been vented at the top	<input checked="" type="checkbox"/>	<input type="checkbox"/>	<input type="checkbox"/>	<input type="checkbox"/>
Flue and appliance clearances have been achieved in terms of the manufacturer's instructions. NZS 7421 or AS/NZS 2918	<input checked="" type="checkbox"/>	<input type="checkbox"/>	<input type="checkbox"/>	<input type="checkbox"/>
The flue height meets the minimum specified in the manufacturer's instructions and Environment Canterbury (ECan) rules	<input checked="" type="checkbox"/>	<input type="checkbox"/>	<input type="checkbox"/>	<input type="checkbox"/>
The appliance has been installed and commissioned in accordance with the manufacturer's installation and operating instructions. (Liquid Fuel only)	<input checked="" type="checkbox"/>	<input type="checkbox"/>	<input type="checkbox"/>	<input type="checkbox"/>
The liquid fuel storage tank and feed system has been installed in accordance with AS1691, or equivalent, and with the requirements of the Council's Hazardous Substances Officer.	<input type="checkbox"/>	<input type="checkbox"/>	<input type="checkbox"/>	<input checked="" type="checkbox"/>
Smoke detectors (with hush facility) as detailed on the building consent documents are installed.	<input checked="" type="checkbox"/>	<input type="checkbox"/>	<input type="checkbox"/>	<input type="checkbox"/>
For new wetback connections, anti-scold device installed and copy of B-084 (Construction Statement - Pipework Testing) attached, completed and signed by the craftsman plumber.	<input type="checkbox"/>	<input type="checkbox"/>	<input type="checkbox"/>	<input checked="" type="checkbox"/>

If response to any of the items is no, please comment: _____

Water heater - model and part number: N/A

I Mark Whitehead (print name) certify that the above specified installation has been carried out as described and in accordance with the manufacturer's installation instructions and the current approved building code requirements.

Installer's Signature: _____ Dated: 21-5-10

5. Resource Management Act Matters - Liquid Fuel Heater

	[Tick as appropriate]	Yes	No
Does the fuel storage tank have secondary containment (100% if roofed, 120% if unroofed) in accordance with the proposed City Plan (NB: Audit monitoring will be carried out).	<input type="checkbox"/>	<input type="checkbox"/>	<input type="checkbox"/>
If response is no, please comment why: _____			

**CHRISTCHURCH CITY COUNCIL
BUILDING INSPECTION SERVICES**

PROJECT NO:



Site Address: 1 Gilmore Place

Description of Consent: Solid Fuel heater - Inbuilt

10102071

Demolition		Smoke Alarms		Final (Comm/Ind)	210	Producer Statements
Site Cleared		Glazing (Safety)		B-011 Received		Structural ()
FW Cut and Sealed		Access Routes Non-slip		Car Parking Marked		As Built Drainage Plan
Final (Residential)	210	Retaining Wall Drainage		Downpipes		Mechanical Ventilation
B-011 Received		Swimming Pool (Fence)		Stormwater		Fire Alarm Installer
Wall Cladding Cert		Snow Boards		Rain heads		FPIS Fire Alarms
Downpipes		Balconies		Gully Traps		Sprinkler Installers
Stormwater		Overflow		Main Vents		FPIS Sprinklers
Flashings		Overflow Relief		Surface Water Sumps		Emergency Lighting
Gully Dishes		Pickup completed		Trade Waste-Fit for Use		Extraction (Smoke)
Waste Pipes		Landscaping (Y/N)		Safety Glass		Fire Engineer
Drain Vent (s)		Structural P/S		Glass Manifestation		Elect Certificate
Air Admittance Valve		Tanking Statement		Barriers		Gas Certificate
Surface Water Sumps		Photos taken		Stairs		Back Flow IQP Test
Submersed Outlets		Solid Fuel Heater	232	Hand Rails		Automatic Doors
Hard Standing Levels		Seismic Restraint	✓	HWC Restraints		Section 77 Certificate
HWC Restraint		Hearth	✓	Anti Scald		Lift (As Built)
HWC Valves		Flue	✓	Emergency Lighting		Pressurisation
Anti Scald Protection		Clearances	✓	Ventilation (HVAC)		Smoke Test
Barriers		Mantle	✓	Fire Resistant Rating		Contractor
Landing		B-012 Form	✓	Fire Alarm (Type)		Effluent Disposal
Hand Rails		Smoke Alarms	✓	Egress		Solar Heating Installer
Stair Treads		Accessible Facilities		Signage		B-084 Form signed
Stair Risers		" Route- Door Width		Snow Boards		Reconciliation of Inspections
Ventilation of Spaces		" Toilet		Backflow Prevention		Estimate
Mechanical Ventilation		" Grab Rails		Solar Heating		Actual
Range Hoods		" Hardware		Penetrations - fixings		Certificate for Public Use
Ceiling Insulation		" Carpark		Waterproofing		Amended Plan Fees
Fire Resistant Rating		" Signage		Roof Load		Refund Debit

*Smoke detectors in place and tested. Maintenance required
B-012 received and complete*

Rectification Time Frame/...../..... Signed.....

Have all the non-compliances highlighted on previous site inspection reports been addressed and rectified. Yes No

All work inspected is approved in compliance with the Building Consent and Building Code. Yes No

Some work is not satisfactory as detailed above and rectification is required. Yes No

FINAL

Signed: [Signature] Date: 11/1/10

SITE INSPECTION REPORT

This is not a Code Compliance Certificate

Key

- R = Rectification
- = Not Applicable
- ✓ = Approved



CHRISTCHURCH CITY COUNCIL BUILDING CONSENT

PROJECT NO:
10102071

SECTION 51, BUILDING ACT 2004
Form 5 – Building (Forms) Regulations 2004

THE BUILDING

Street Address: 1 GILMORE PLACE, BURNSIDE, CHRISTCHURCH 8005

Legal Description : LOT 2 DP 26914

Other: _____

Conditions and / or advice notes are attached as part of the documents for this building consent. You should read these as they contain information to assist with compliance and / or compliance.

THE OWNER

Full Name(s): WHITEHEAD, ROBERT BRUCE
WHITEHEAD, SHIRLEY SIMMONS
Mailing Address: 1 GILMORE PLACE
CHRISTCHURCH 8053

AGENT – FIRST POINT OF CONTACT

Name: WHITEHEAD, ROBERT BRUCE
Mailing Address: 1 GILMORE PLACE
CHRISTCHURCH 8053

- **BUILDING WORK.** The following work is authorised by this building consent:
ETHOS ARES INBUILT DRY WOODBURNER CAC 03001

This Building Consent is issued under section 51 of the Building Act, 2004. This Building Consent does not relieve the owner of the building (or proposed building) of any duty or any responsibility under any other Act relating to or affecting the building (or proposed building).

This Building Consent also does not permit the construction, alteration, demolition, or removal of the building (or proposed building) if that construction, alteration, demolition, or removal would be in breach of any other Act.

This Building Consent may also be subject to conditions if indicated below in "Attachments"

Compliance Schedule.

Either:

- A Compliance Schedule is not required for the building,
- or;
- The Compliance Schedule must contain specified systems as shown in the attached list, and those systems must comply with the performance standards required by the building code,
- or;
- The building has an existing Compliance Schedule that is not altered by this work.

Attachments:

- ~~• Schedule of required inspections~~
- ~~• Project Information Memorandum (PIM)~~
- Yes N/A Conditions/Advice Notes Applying to this Consent
- Yes N/A Development Contribution Notice
- Yes N/A Certificate(s) attached to PIM (restrictions on implementing the Building Consent)
- Yes N/A Compliance Schedule List

Signed for and on behalf of the Christchurch City Council:

Date of issue: 06/05/2010

FONS VAN WAMEL
Building Consent Officer

Civic Offices, 163-173 Tuam Street, Christchurch, 8011
PO Box 237, Christchurch, 8140
Phone: 03 941 8999, Facsimilie: 03 941 8786
Email: info@ccc.govt.nz
www.ccc.govt.nz
B-410 01.05.2009
Page 1 of 1

Environmental Policy and Approvals Unit

Application for Building Consent for Specified Small Works

(For Solid /Liquid Fuel Burners, Backflow Preventers, Marquees & Temporary Buildings,
Solar Heaters, Shade Sails, Residential Demolitions and Swimming Pool Fences)

Section 33 or 45, Building Act 2004 - Building (Forms) Regulations 2004 - Form 2

1. Application

- Backflow Preventers (T15)
- Marquee or Temp Buildings (MAR)
- Residential Demolition (T14)
- Residential Solar Hot Water Heaters (T18)
- Shade Sails (T31)
- Solid/~~Liquid~~ Fuel Burner (T11)
- Swimming Pool Fence (T12)
- Above-ground Swimming or Spa Pool (T12)

Description of work: INSTALL ETHOS ARES INSERT Wood FIRE.
REPLACING KENT LOG FIRE. APPROX 22 YEARS OLD.

I request that you issue a:

- Project Information Memorandum (PIM) and Building Consent
- Building Consent only (existing PIM number if applicable: ABA NONE. - attach copy)

Consent to be collected from SOCKBURN SERVICE CENTRE. Service Centre.

Signed: R.B. Whitehead. Dated: 14/4/2010.

Signature of: R.B. WHITEHEAD Owner / Agent (on behalf of and with the consent of the owner)
(Print name) (Delete one)

My preferred method of written communication for any request for further information is via email fax post

[A copy for any request or further information will also be sent to the owner.]

For Office Use	
Application No	<u>10102071</u>
Property ID	<u>731898</u>
Person ID	<u>345565</u> <u>3145567</u>
WBS Code	<u>401/127</u>
Fee Paid	<u>\$275</u>
Date Received	<u>19/4/10</u>
Name of Officer	<u>Anne Taylor</u>
Drainage	<input type="checkbox"/> Block Plan <input type="checkbox"/> Full PIM <input checked="" type="checkbox"/> N/A

2. The Building

Street address of building: 1 GILMORE PLACE RUSSELY, CH. CH.

Legal description of land where building is located: Lot No: 2 DP: 26914.

Estimated value of the building work on which the building levy will be calculated (incl GST): \$ 3500

[state estimated value as defined in section 7 of the Building Act 2004]

Specify the Intended life of the building if less than 50 years:

Year first constructed: [insert year, approximate date is acceptable, e.g. c1920s or 1960-1970] 1970.

3. The Owner

The Owner (as defined by the Building Act)

Full name(s): ROBERT BRUCE + SHIRLEY SIMMONS

Contact person: R.B. WHITEHEAD. WHITEHEAD.

Address: Street No/Name: 1 GILMORE PLACE.

Suburb: RUSSELY.

City: CH. CH. Post Code: 8053.

Postal: Same as above

Box/Street Name:

Suburb/Lobby:

City:

Email: RIVERBENDING@GMAIL.COM

Phone: Day: 358-8221. Mobile: NONE.

A.H.: AS ABOVE. Fax: NONE.

Agent - First point of contact (must be authorised by the owner to make this application)

Full name(s): N/A.

Contact person: N/A.

Address: Street No/Name:

Suburb:

City:

Postal: Same as above

Box/Street Name:

Suburb/Lobby:

City:

Email:

Phone: Day:

A.H.:

4. Building Code Compliance

The building work will comply with the building code as follows:

The checksheet associated with this application details the relevant building code clauses pertaining to the building work, the applicant must identify the 'means of compliance' (e.g. compliance document(s) or alternative solution) for each Building Code Clause.

I have completed the appropriate checksheet.

Is a Waiver / Modification to NZ Building Code required?: Yes No

If yes, 1) Specify parts of Code: *N/A*
2) Supporting documentation attached? Yes

5. Privacy Act

All the relevant information on this form is required to be provided under the Building Act 2004 and the Resource Management Act for the Environmental Policy & Approvals Unit to process your application. Under these Acts this information has to be made available to members of the public including business organisations. The information contained in this application may be made available to other units of the Council. You have the right to access the personal information held about you by the Council which can be readily retrieved. You can also request that the Council correct any personal information it holds about you.

6. Information

General Information:

General information can be found on our website at <http://www.ccc.govt.nz/homeliving/buildingplanning/index.aspx>.

Please check that the forms that you are using are current at the time of application as they are subject to change without notice.

No work is to commence until the Building Consent is uplifted.

Building Consent Fees: All applications require a non refundable deposit to be paid on lodgement. The balance of any charges payable will be invoiced on building consent approval. The latest schedule of fees ([form B-301](#)) is available on our website (<http://www.ccc.govt.nz/>) or from one of our Service Centres. The charges incurred by the Council in processing this application are payable whether the project proceeds or not. The Council may use discretion in refunding part of the deposit if the total costs are significantly less than the deposit.

Guidance Sheets and Council Department of Building & Housing Information Booklets are available at all Service Centres.

**Applications should be lodged and uplifted at the following Service Centres (where technical assistance is available).
Note postal applications will be reviewed before lodgement.**

Location	Street Address	Postal Address	Phone	Fax
Civic Offices	163-173 Tuam Street	Building Approvals Office P O Box 237 Christchurch 8140	941-8999	941-8792
Linwood Service Centre	180 Smith Street	Building Approvals Office P O Box 237 Christchurch 8140	941-8999	941-6639
Lytelton Service Centre	35 London Street	Building Approvals Office P O Box 237 Christchurch 8140	941-8999 0800 800 169	941-5607
Sockburn Service Centre	149 Main South Road	Building Approvals Office P O Box 237 Christchurch 8140	941-8999	941-6539

Applications can also be dropped off and uplifted at the Service Centres below, however no technical assistance is available. Applications dropped off at these Service Centres will be forwarded to one of the above offices for review before lodgement.

Location	Street Address	Location	Street Address
Akaroa Service Centre	78 Rue Lavaud	Little River Service Centre	4236 Christchurch Akaroa Road
Beckenham Service Centre	66 Colombo Street	Papanui Service Centre	Cnr Langdons Rd and Restell St
Fendalton Service Centre	Cnr Jeffreys & Clyde Rds	Shirley Service Centre	36 Marshlands Road

CHECKSHEET

Solid / Liquid Fuel Heating Appliance (Residential Only)

Project Number: 10102071

Address: 1 GILMORE PLACE, RUSSELY. CH-CH. 8053.

Office Check by:	Date	Accepted? Yes / No	Time Spent
<i>Anne Taylor</i>	<i>19/4/10</i>	<i>Yes</i>	<i>.1</i>
<i>Phillippa Elgin</i>	<i>6.5.10</i>	<i>Data Entry/collate</i>	<i>.20</i>
<i>Janet ...</i>	<i>6/5/10</i>		<i>.20</i>

This checksheet shows you the information that has to be supplied for a Solid / Liquid Fuel Heating Appliance (residential only) with your building consent application.

Please complete each box in the Customer Use column as you attach the information. Complete all sections using either a ✓ or Y where the information is provided, or a X or N where the information is not required as shown the key at the bottom of each page.

Once you have attached all the required information, please check for completeness as an incomplete application or lack of any supporting information will mean that your application cannot be accepted for processing.

Customer use	1. GENERAL COMPLETE FOR ALL APPLICATIONS	For office use only
<input checked="" type="checkbox"/>	a Application Form B-001 (1 copy) Completed and signed by the owner or by an agent on behalf of the owner.	<input checked="" type="checkbox"/>
<input type="checkbox"/>	b Application Fee Applications will not be accepted without payment of the appropriate fees. Fees payable are set out in the published <u>Fee Schedule B-301</u> .	<input checked="" type="checkbox"/>
<input checked="" type="checkbox"/>	c Manufacturer's installation specifications / instructions (2 copies) For the correct installation and use of the heating appliance. The specification / instructions must relate to the specific make and model of the heating appliance to be installed.	<input checked="" type="checkbox"/>

Customer use	2. DRAW A FULL SCALED FLOOR PLAN (ALL FLOORS) SHOWING: (1:100)	For office use only
<input checked="" type="checkbox"/>	▪ Location of the heater.	<input checked="" type="checkbox"/>
<input checked="" type="checkbox"/>	▪ Location of existing / proposed smoke detectors (that comply with the relevant standards including having a "hush" facility); they must be marked with ⊙ on Floor Plan (see page 2). New detectors will be marked on the plans by the Council if you do not provide the location. These will be inspected and tested prior to the issue of the Code of Compliance Certificate.	<input checked="" type="checkbox"/>
<input checked="" type="checkbox"/>	▪ Show the location of the existing water cylinder if a wetback / hot water booster is to be fitted.	<input checked="" type="checkbox"/>
<input checked="" type="checkbox"/>	▪ LIQUID FUEL STORAGE: Show type of fuel (eg: diesel, home blend, kerosene), size and location of the fuel storage tank related to the building and site boundaries. Wall openings (windows or doors) and wall cladding material within one metre of the storage tank vicinity should be shown (including neighbouring properties).	<input checked="" type="checkbox"/>

NOTES: Second Hand Solid / Liquid Fuel Burners cannot be installed unless:

- A current Clean Air approval label is attached to the appliance (not applicable to some minor rural areas of Christchurch).
- Written evidence is provided to show that the appliance meets Building Code requirements. (An acceptable method is a satisfactory report from the manufacturer or manufacturers agent.)
- A new inner flue is required in all cases.
- The issue of a building consent does not relieve the owner of any duty or responsibility under any other act.

Key: ✓ or = provided

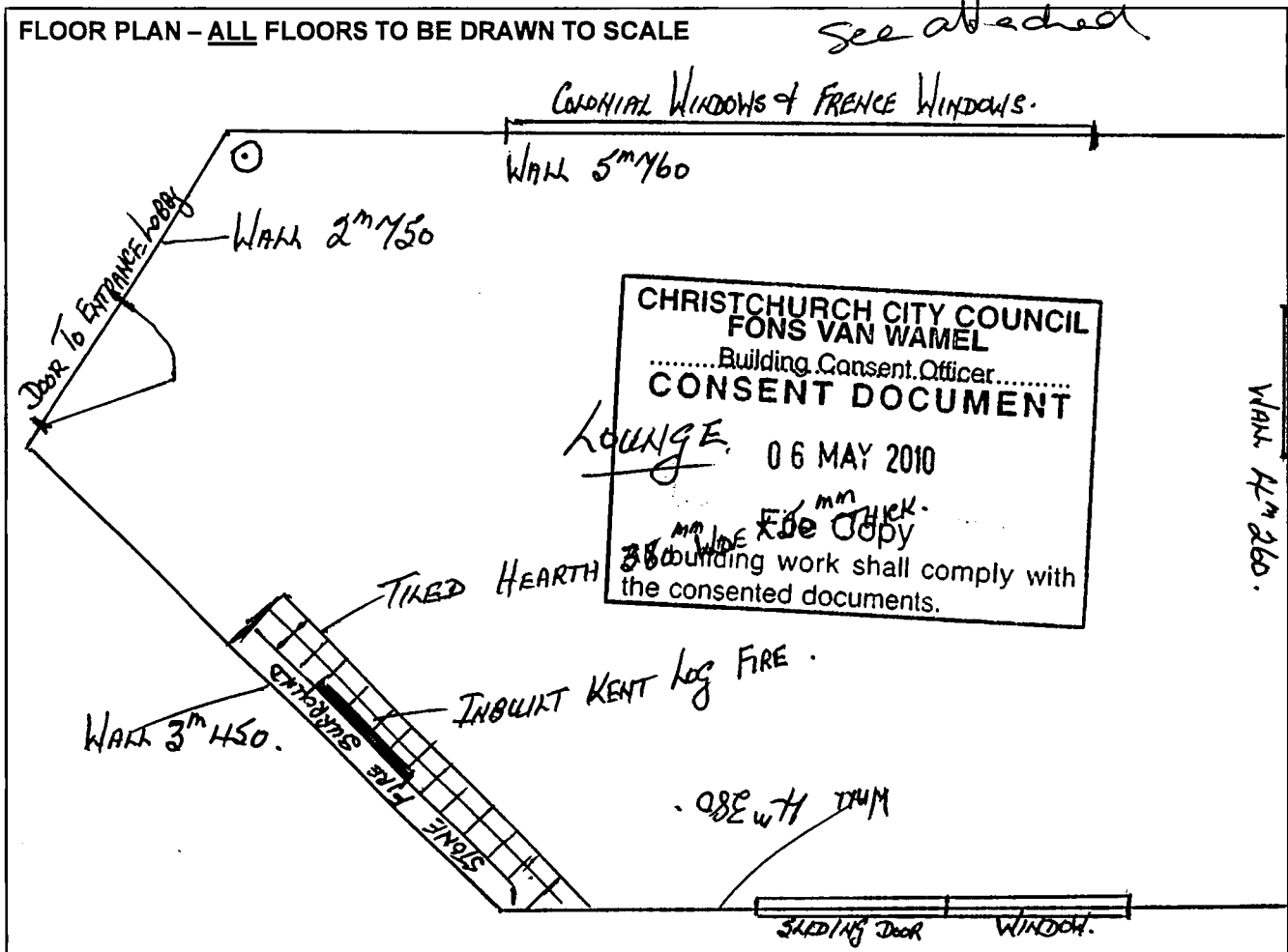
or = not required

or = required before acceptance

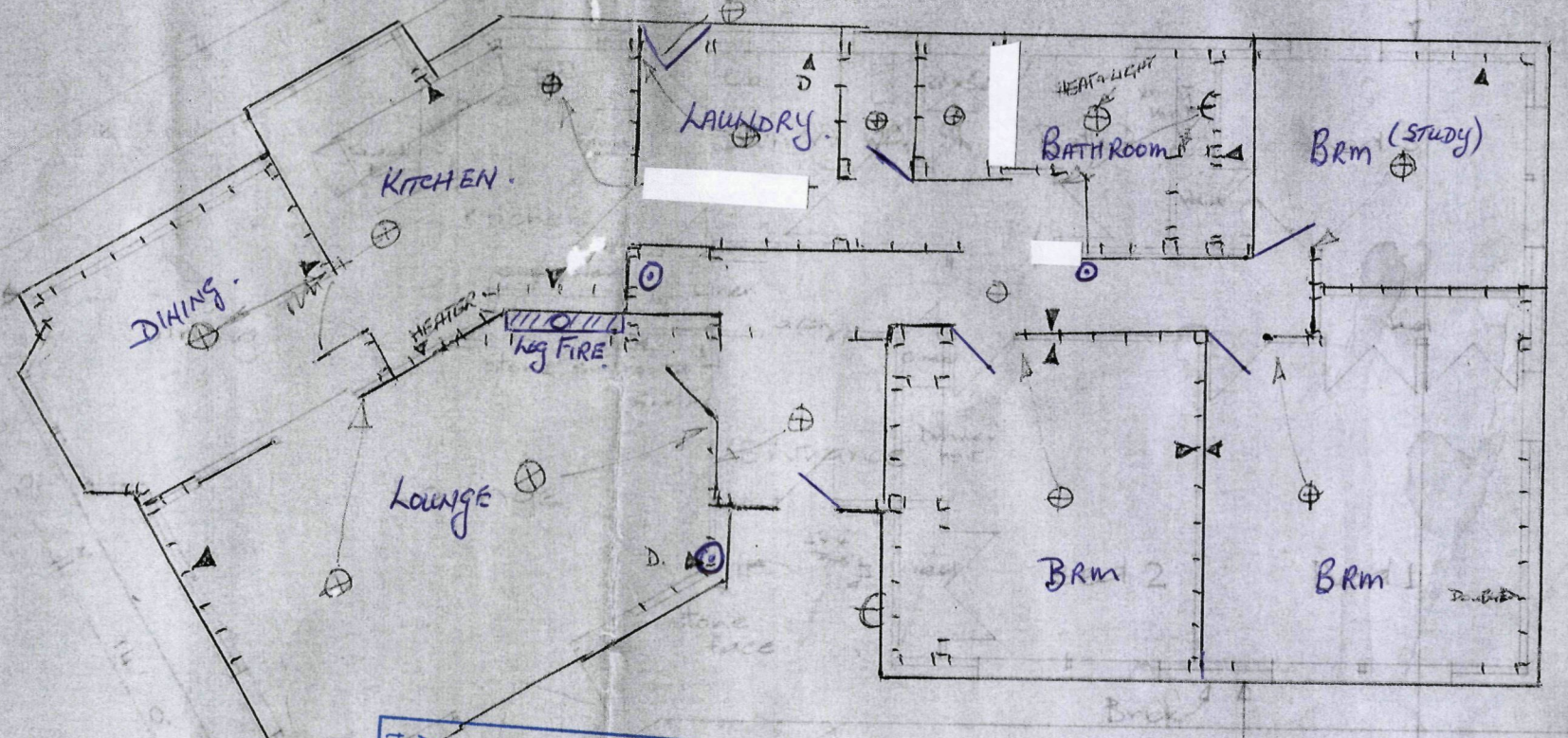
The Project: Installation of a Solid / ~~liquid~~ Fuel Heater

Make: ETHOS WOOD FIRE
 Model: ARES
 New Model Second Hand Model
 Fuel Type: Wood Wood Pellets Diesel / Diesel blend
 Clean Air Certification No.: 03001
 In-built Free Standing
 Is this replacing an existing operational fire? Yes No
 If no, please provide the resource consent number from Canterbury Regional Council (ECan) (applies to wood or wood pellet burners only) _____
 Installer: WHITEHEAD PLUMBING & GAS LTD,
 Address: 18 GRAFTON STREET
CH. CH. P.O. Box 1375, SYDENHAM.

Does the existing or proposed installation involve a wetback?
 Yes No
 If Yes – state the name and address of the certifying Plumber who will disconnect and/or install the wetback:
 Name: _____
 Address: _____
 License Number: _____
 When a hot water booster or wetback is being installed, an anti scalding device must be fitted in the supply from the cylinder to the sanitary fixtures. This requirement does not apply if an existing hot water booster or wetback is being replaced, or is existing elsewhere in the hot water system. The hot water cylinder must be open vented.
 Please confirm that an anti scalding device will be fitted if this a new wet back connection Yes



Plan of proposed Solid / ~~liquid~~ Fuel Heater at:
 Address: 1 GILMORE PLACE, CH. CH.
 Date: 14TH APRIL 2010
 Project Number: 10102071
 Approving Officer: FONS VAN WAMEL
Building Consent Officer



CHRISTCHURCH CITY COUNCIL
 Building Consent Officer
CONSENT DOCUMENT
 06 MAY 2010
 File Copy
 All building work shall comply with the consented documents.

No. 1 GILMORE PLACE

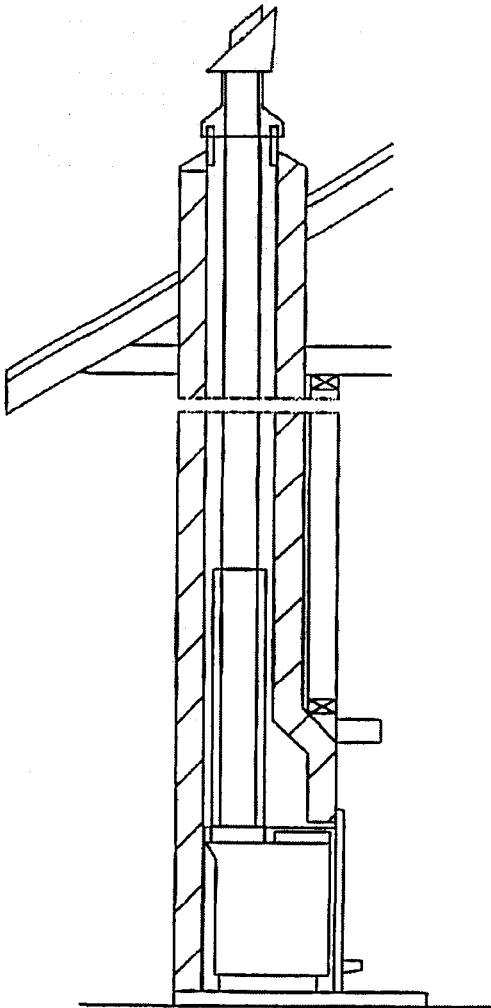
Domestic Smoke Alarms
 complying with
 Approved Document F7
 are required as part of
 this consent

ETHOS

WOODFIRES

INSTALLATION INSTRUCTIONS:

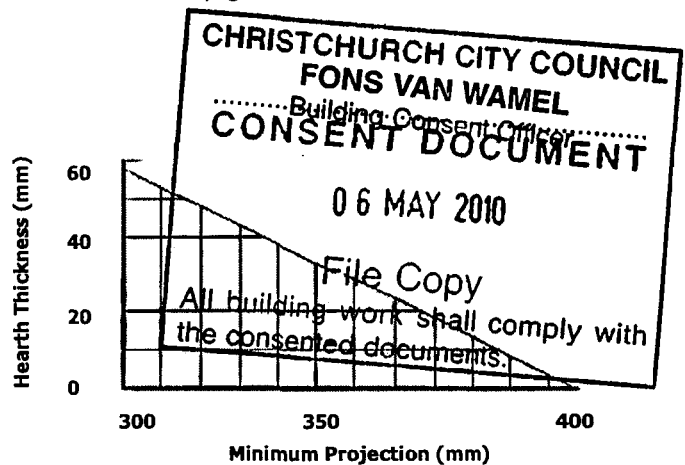
ARES IS100



Typical installation shown complies with AS/NZS4013:1999 & 4013:1999 AS/NZS 2918:2001.

FEI insulation batts must be fitted around the casing & between the casing & fascia opening to insure optimum performance.

Note: It is essential the insulation material **DOES NOT** obstruct the air intake spigot around the Flue.



Hearth Requirements

As per graph (Insulating Hearth) Dimensions are taken from the open fire fascia to the front of the hearth.

Note: Flue kit

The flue system used must be the **Ethos** Econ-Air flue kit as this has been specifically designed for optimum performance of the unit. It must be a minimum of 4.2 metres in length.

Seismic Restraint

Use two 6mm Dyna bolts or similar, two holes have been provided in the front of the firebox cabinet.

Mantle

A mantle deflector is required if the mantle is less than 930mm above the hearth surface.

Flue liners

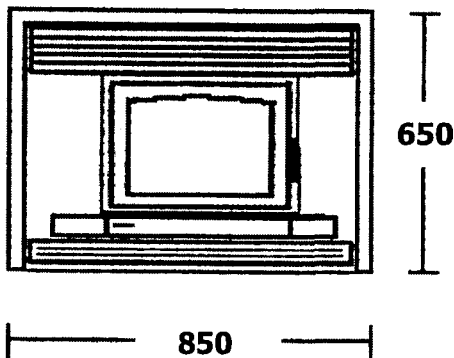
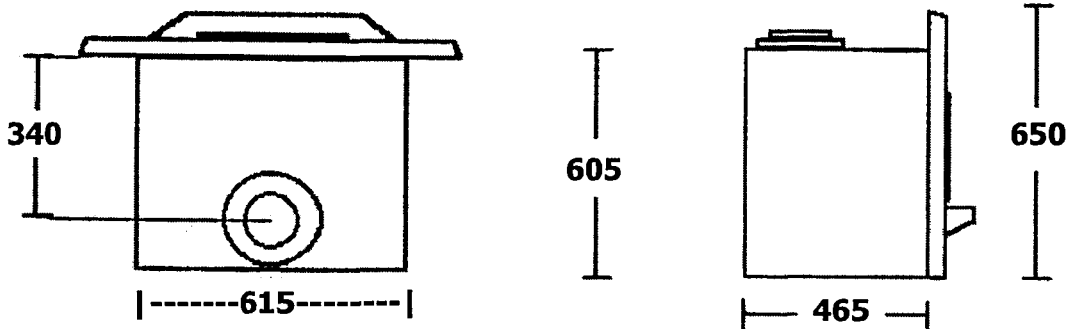
Flue liners should be fitted where possible, however if the chimney size or structure does not allow this the liners may be left out, the starter liner should always be fitted.

ETHOS

WOODFIRES

INSTALLATION INSTRUCTIONS:

ARES IS100



Appliance and Flue components:

Supplied: Ethos Ares
Flue Kit: 3 x 1200 130mm s/s flue
1 x .600 130mm s/s flue
1 x cowl system
1 x starter liner
1 x Galvanised steel band

Does Not Include
Batts
Screws & rivets
Dyna bolts
Flue sealants

WARNING: THE APPLIANCE AND FLUE SYSTEM SHALL BE INSTALLED IN ACCORDANCE WITH AS/NZS 2918 AND THE APPROPRIATE REQUIREMENTS OF THE RELEVANT BUILDING CODE OR CODES.

WARNING: APPLIANCES INSTALLED IN ACCORDANCE WITH THIS STANDARD SHALL COMPLY WITH THE REQUIREMENTS OF AS/NZS 4013 WHERE REQUIRED BY THE REGULATORY AUTHORITY, I.E. THE APPLIANCE SHALL BE IDENTIFIABLE BY A COMPLIANCE PLATE WITH THE MARKING "TESTED TO AS /NZS 4013" ANY MODIFICATION OF THE APPLIANCE THAT HAS NOT BEEN APPROVED IN WRITING FROM THE TESTING AUTHORITY IS CONSIDERED TO BE IN BREACH OF THE APPROVAL GRANTED FOR COMPLIANCE WITH AS/NZS 4013.

CAUTION: MIXING OF APPLIANCE OR FLUE SYSTEM COMPONENTS FROM DIFFERENT SOURCES OR MODIFYING THE DIMENSIONAL SPECIFICATION OF COMPONENTS MAY RESULT IN HAZARDOUS CONDITIONS. WHERE SUCH ACTION IS CONSIDERED, THE MANUFACTURER SHOULD BE CONSULTED IN THE FIRST INSTANCE.

CAUTION: CRACKED AND BROKEN COMPONENTS, e.g. GLASS PANELS OR CERAMIC TILES, MAY RENDER THE INSTALLATION UNSAFE.

TAX INVOICE WHEN PAID

BUILDING FEES

WHITEHEAD, ROBERT BRUCE
WHITEHEAD, SHIRLEY SIMMONS
1 GILMORE PLACE
CHRISTCHURCH 8053

INV 349806
GST NO 53-198-554
DATE 19/04/2010

APPLICATION NO: ABA 10102071
OWNERS NAME: WHITEHEAD, ROBERT BRUCE
PROJECT STREET ADDRESS: 1 GILMORE PLACE
BURNSIDE
CUSTOMER CODE: 3145565
INVOICED TO DATE: \$0.00

These fees are due within 30 days from date of this invoice. Please ensure payment is paid by due date to avoid further action. Collection costs (including legal fees) incurred in the recovery of any outstanding monies, goods or services will be passed onto the customer.

FEE CODE	DESCRIPTION	THIS INVOICE (GST exclusive)
B02	Accept Consent	57.78
B03	Process and Grant	57.78
B04	Compliance Fees	66.67
B05	Code Compliance Grant/Issue	62.22

EQ1173

Total	\$244.45
GST	\$30.55
TOTAL PAYABLE	\$275.00

06/05/2010

WHITEHEAD, ROBERT BRUCE
1 GILMORE PLACE
CHRISTCHURCH 8053

Dear Sir/Madam

BUILDING CONSENT
PROJECT NO. 10102071
SITE ADDRESS - 1 GILMORE PLACE, BURNSIDE, CHRISTCHURCH 8005
ETHOS ARES INBUILT DRY WOODBURNER CAC 03001

I advise that your Building Consent has been approved and is available for uplift from ~~the on the payment of the fees listed on the attached invoice.~~

- **These fees are due within 30 days from the date of this invoice. Payment may be made by cash, EFTPOS, credit card or cheque. Please note no statement will be issued.**
- **Building work must not commence** until the fees are paid and you are in possession of the stamped / approved consent documents.

Please read the following points:

1. **All building work must be completed in accordance with the approved documents**, these (or a photocopy) must be available on-site for the inspector. If the documentation is not on-site when the inspector arrives, they will be unable to carry out the inspection and you will need to re-book and incur additional fees. Approved documents include;
 - Building Consent
 - Conditions / Advice Notes
 - PIM
 - Inspection Schedule
 - Plans and Specifications
 - Soil Report
 - Producer Statements
 - Bracing and Energy Efficiency Calculations
 - Manufacturers Technical Literature
2. **Inspections:** It is essential that you arrange the inspections as set out in the schedule attached to the building consent documentation. Please allow a minimum of two working days notice when booking inspections and know where the approved documents will be held on site.

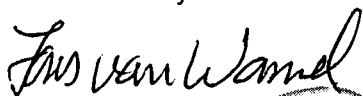
Inspections can be booked by:

- Phone: (03) 941 8888
- Fax: (03) 941 6241
- On-line: <http://www.ccc.govt.nz/homeliving/buildingplanning/buildinginspections/index.aspx>

Note: Generally these inspections are the minimum inspections required, the way you sequence the construction may require additional inspections.

3. **Amended Plans;** Minor variations can be approved on site, other variations will require a formal application to be submitted.
4. **The owner is required to apply for a Code Compliance Certificate on the enclosed form as soon as is practicable after the work is completed.** This should be within 2 years of the date the consent was issued; otherwise the Council will inspect the work to decide if one can be issued.
5. **This consent will automatically lapse if;**
 - not issued (paid for and uplifted) within 6 months from the date of this letter or
 - if work has not started within 12 months of the date of issue (paid for and uplifted).
6. **Cancelling this consent:** If you decide not to proceed with this project please notify the Council in writing, using form B-014. Depending on when you cancel a consent outstanding fees to date or a partial refund may be applicable.
7. **Further information:** See our website;
<http://www.ccc.govt.nz/homeliving/buildingplanning/buildingconsents/index.aspx>

Yours sincerely



FONS VAN WAMEL
Building Consent Officer

COPY

Smoke Alarm Installation in Homes

Alterations to buildings require an upgrade (to the latest standards) to the fire egress of the building.

All new houses and all existing houses undergoing alterations are now required to have smoke alarms installed.

The applicable Compliance Document (Acceptable Solution) to the Building Code is F7/AS1 – Warning Systems.

Summary of Requirements

- Smoke alarms shall be listed or approved by a recognised authority as complying with at least one of: UL 217, ULC S531, AS 3786, BS 5446 Part 1.
- Smoke alarms shall have a test facility located on the smoke alarm (readily accessible to building occupants).
- Smoke alarms may be battery powered and are not required to be interconnected. Whether battery powered or not, they shall be provided with a hush facility having a minimum duration of 60 seconds.
Note: This is an additional requirement to that set out in the above standards.

Smoke Alarm Location

On levels containing the sleeping spaces, the smoke alarms shall be located either:

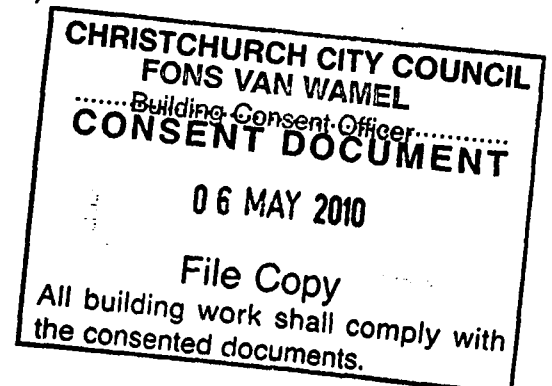
- (a) In every sleeping space, or
- (b) Within 3.0 m of every sleeping space door.

Plus

- (a) Additional smoke alarm must be located in each space that must be passed through to get to a safe place, (outside) from which people may safely disperse (ie to the street).
- (b) There must be at least one smoke alarm on each level within the household unit.
- (c) Smoke alarms must be audible to sleeping occupants through closed doors.
- (d) Sleep outs are a part of the household unit, so must included in any provision of smoke alarms.
- (e) Smoke alarms shall be installed on or near the ceiling in accordance with AS 1670.6 and the manufacturer's instructions.

Recommended maintenance procedures are:

- (a) In-situ annual cleaning with a vacuum cleaner (no disassembly of smoke alarm).
- (b) Monthly testing by use of the smoke alarm's test facility.



Solid and Liquid Fuel Heating Appliance Approvals

Project Number: 10102071

Address of Project: 1 Gilmore Place

Other Authorisations

The Canterbury Regional Council (ECan) is the approving authority for the Emission Standards for Solid and Liquid Fuel Heaters. This heater is a CRC Approved Solid or Liquid Fuel Heating Appliance.

Advice / Notes and Guidance

Appliance installation: The approval is subject to appliance being installed in accordance with heating appliance Manufacturer's installation instructions.

Seismic restraint: Seismic restraint provided to the hearth and the appliance forms part of the manufacturers installation instructions.

Hot water booster or wetback: When a hot water booster or wetback is being installed, an anti scalding device must be fitted in the supply from the cylinder to the sanitary fixtures. This requirement does not apply if an existing hot water booster or wetback is being replaced, or is existing elsewhere in the hot water system. The hot water cylinder must be open vented.

Flue Height: The minimum flue heights specified in AS/NZS 2918:2001 (for solid fuel heaters) or the manufacturers installation instructions may be insufficient if combustion problems and smoke or odour nuisance are to be avoided. The presence of adjacent tall trees or buildings may mean that an even greater flue height is needed.

Liquid Fuel Storage: The fuel storage tank installation should include a degree of fire resistance between the storage tank and the building (dwelling house) where the storage tank is installed adjacent to the building. The storage tank must also be isolated from any openings in a building such as doors or windows which may allow impingement of fire on the storage tank. This distance should be not less than 1.0 metre.

The storage tank should also be suitably affixed in an approved manner to the building to prevent dislodgement or damage to the attached supply pipework to the heating appliance. The quantity limits, and spill containment provisions for storage of liquid fuels, as specified in the Council's City Plan as well as the Hazardous Substances and New Organisms Act 1996, Dangerous Goods Regulations (Dangerous Goods transitional provisions) will apply (see attached guidance notes). It is the installer/owners responsibility to ensure that compliance is achieved. Audit monitoring will be undertaken to assess compliance.

Inspections

An application for a Code Compliance Certificate for a Solid / Liquid Fuel Heater (**Form B-012**) must be completed by the installer prior to inspection. (Form attached to this approval.)

The appliance must not be used until an inspection by the Council's staff has confirmed that the installation meets the requirements of the NZ Building Code and is recorded on the site inspection report.

Smoke alarms form part of this approval and must be installed at the time of inspection, otherwise a re-inspection will be required. Please refer to the attached Information Sheet B-311 and location of alarms shown on the approved consent plans.

A minimum of 48 hours notice is required if inspection is booked at the time of application.

To arrange an inspection please:

- Book by phone: 03) 941 8888, or
- Book by fax: 03) 941 6241 using Form B-083
Print out the form
<http://resources.ccc.govt.nz/files/B083InspectionBookingForm-docs.pdf>
Request a form by fax: (03) 941-6241
- Book online:
<http://www.ccc.govt.nz/homeliving/buildingplanning/buildinginspections/buildinginspectionbookingform.aspx>

Following the inspection you will receive a Code Compliance Certificate provided that the building work is correctly completed in accordance with the building consent and the approved documentation.

The cost of one inspection is covered by the consent fee which you paid at the time of applying for the consent.
Additional fees are payable if more than one inspection is necessary.

