



# Butterfield

## Butterfield Bathroom Renovations Handover Document





BELGOTEX CALLISTO TACO S30 2M



GLOSS WHITE TILE 200X200MM



The copyright of this drawing remains with Butterfield Bathrooms

Butterfield Bathrooms  
info@butterfield.co.nz

223a Annex Road, Middleton  
Christchurch

www.butterfieldbathrooms.co.nz

PROJECT DETAILS:

**JENNY DICKINSON**  
1 GILMORE PLACE, BURNSIDE 8053

DRAWING DETAILS:

**RENDERS**

GENERAL NOTES:

1. All work to comply with the NZ Building code and NZS3604:2011
2. MIBE Guide to Tolerances, Materials and Workmanship 2015 to govern work finishes
2. Do not scale off drawings
3. Contractor to locate all services and confirm dimensions prior to work
4. All dimensions in mm and measured from finished surface level
5. Exact positions of fittings may change due to wall framing locations

REVISIONS

DATE	DESCRIPTION
18/09/2025	PROPOSAL
30/09/2025	R1 UPDATE
15/10/2025	R2 UPDATE
15/01/2026	CONSTRUCTION DOCUMENT

A1 01

A1



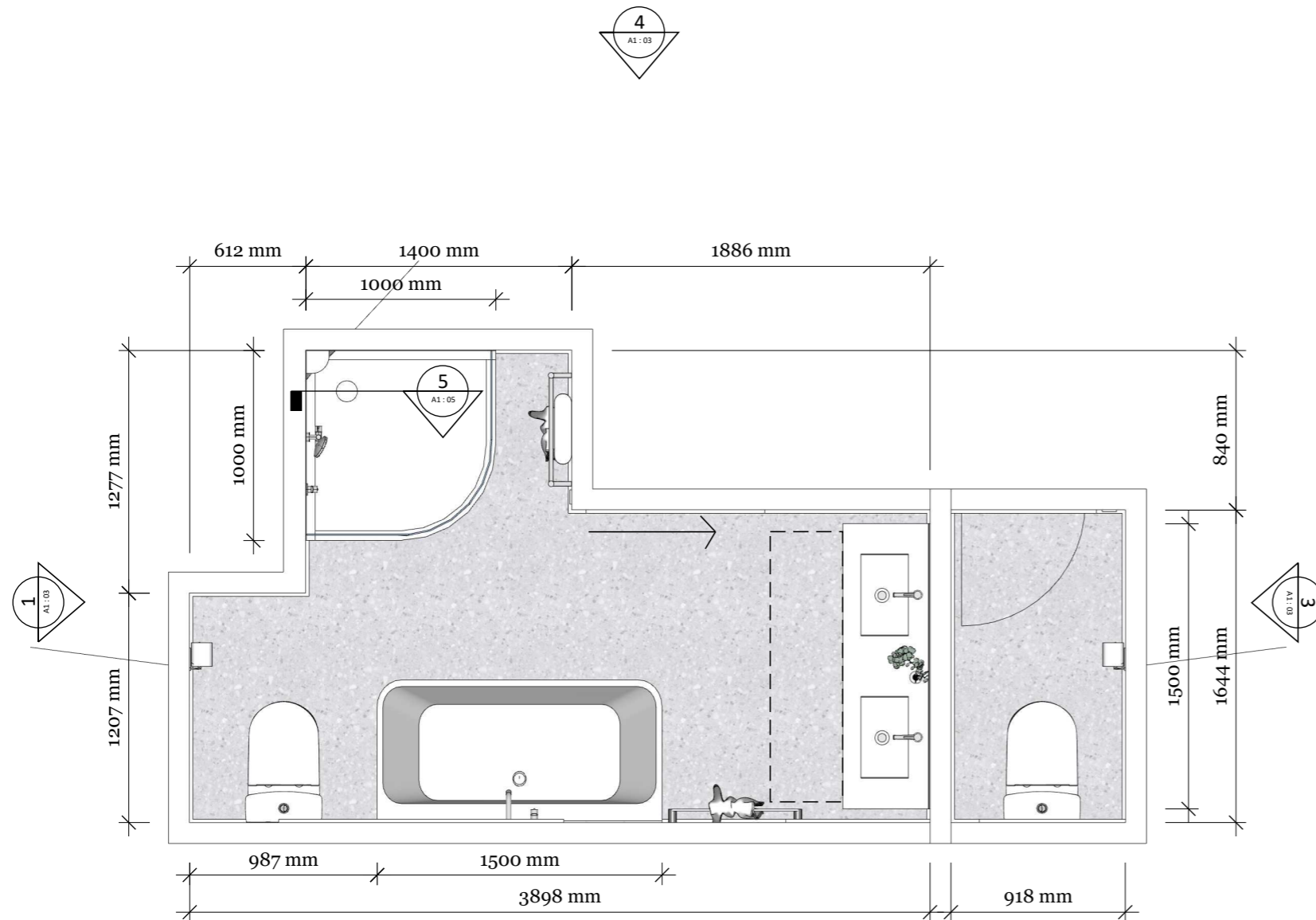
**WATERPROOF AREA**  
**TILER TO CONFIRM TILE LAYOUT WITH CLIENT**

**FIXTURES AND FITTINGS POSITION TBC ONSITE**

**MAIN BATHROOM & SEPARATE TOILET**

**MAINS HOT WATER PRESSURE**

**CONCRETE FLOOR SUBSTRATE**



Vinyl	Suppliers	
Tile	Flooring Xtra	Belgotex Callisto Taco S30 2m
Paint	Butterfield Bathrooms	White Gloss 200x200mm Tile
Tapware	Dulux	Black White
Fixtures + HTR	Harrison Bloy	
Electrical	Harrison Bloy	
	Go Fox	
	Fixtures and Fittings	
Shower	Clearlite 1000x1000 Round CNR Waste, Moulded Wall	
Shower Mixer	2S 1920, Cezanne Door Set 1000 RD BRHT	
Shower Slide Rail	Vantage Shower Mixer MP Square	
Toilet roll holder	Alpha Slide SHW MKII WSL	
Basin Mixer	Heiko Toilet Roll Holder (2 off)	
Basin Waste	Vantage Basin Mixer (Fixed) LF CP (2 off)	
Mirror	Brass Pop Up Basin Waste O/F CP 32mm (2 off)	
Bath	1500x900 Trendy Polished Edge Mirror	
Bath mixer	Enya Avalon 1500 Back to Wall F/S Bath	
Bath Waste	Vantage Shower Micer MP Square	
Bath Spout	Evoke 40mm 2pc Bath Waste - Chrome	
Hand towel holder	Vantage Bath Spout Chrome	
Extraction Fan	Heiko Towel Rail 700mm	
Heated Towel Rail	Clearflow Fv107 Inline Extract Fan 150mm	
Fan Heater	Punch Round HTR 825x600 Polished	
	Wall Mounted Fan Heater	
	Home Owner Supplied	
Vanity	1500 Brookfield Double Bowl Vanity	
Toilet	Cura Toilet (2 off)	



**PROPOSED FLOOR PLAN**  
 Scale 1:50



Butterfield Bathrooms  
 info@butterfield.co.nz  
 223a Annex Road, Middleton  
 Christchurch  
 www.butterfieldbathrooms.co.nz

**PROJECT DETAILS:**  
**JENNY DICKINSON**  
 1 GILMORE PLACE, BURNSIDE 8053

**DRAWING DETAILS:**  
**CONSTRUCTION PLAN VIEW**

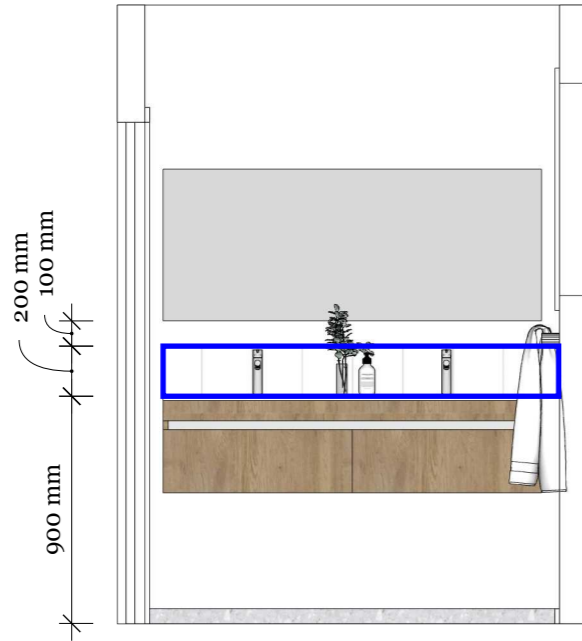
**GENERAL NOTES:**  
 1. All work to comply with the NZ Building code and NZS3604:2011  
 2. MIBE Guide to Tolerances, Materials and Workmanship 2015 to govern work finishes  
 3. Do not scale off drawings  
 4. Contractor to locate all services and confirm dimensions prior to work  
 5. All dimensions in mm and measured from finished surface level  
 6. Exact positions of fittings may change due to wall framing locations

REVISIONS	
18/09/2025	PROPOSAL
30/09/2025	R1 UPDATE
15/10/2025	R2 UPDATE
15/01/2026	CONSTRUCTION DOCUMENT

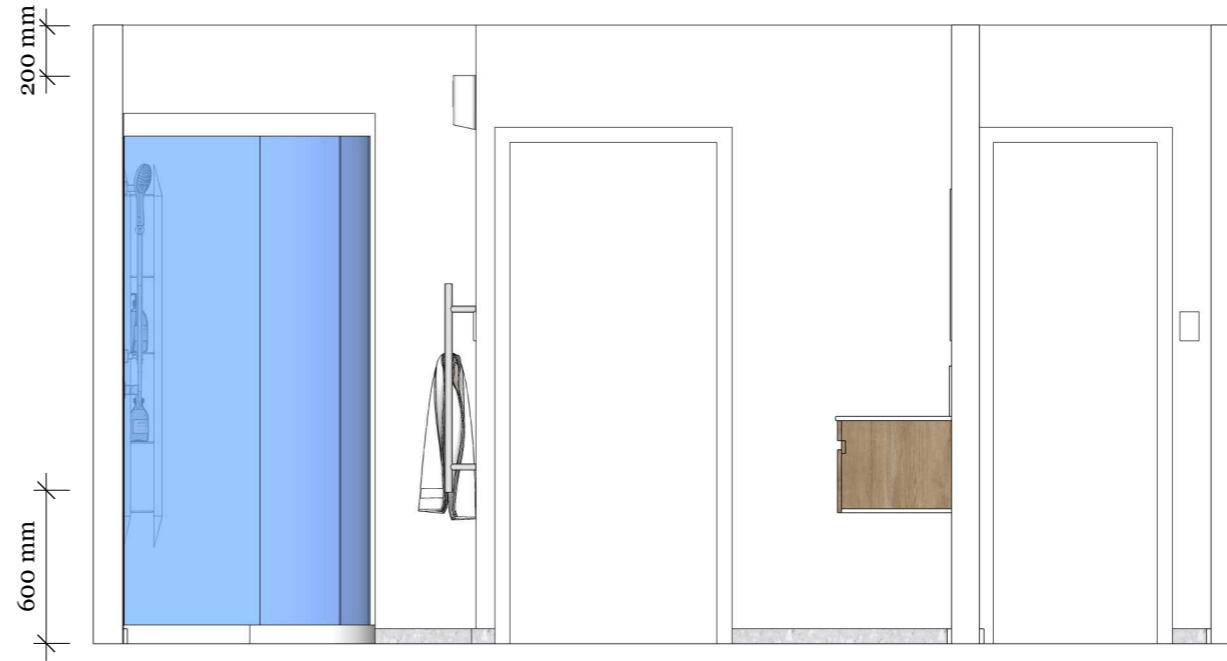
A1 02



**WATERPROOF AREA**  
**TILER TO CONFIRM TILE LAYOUT WITH CLIENT**

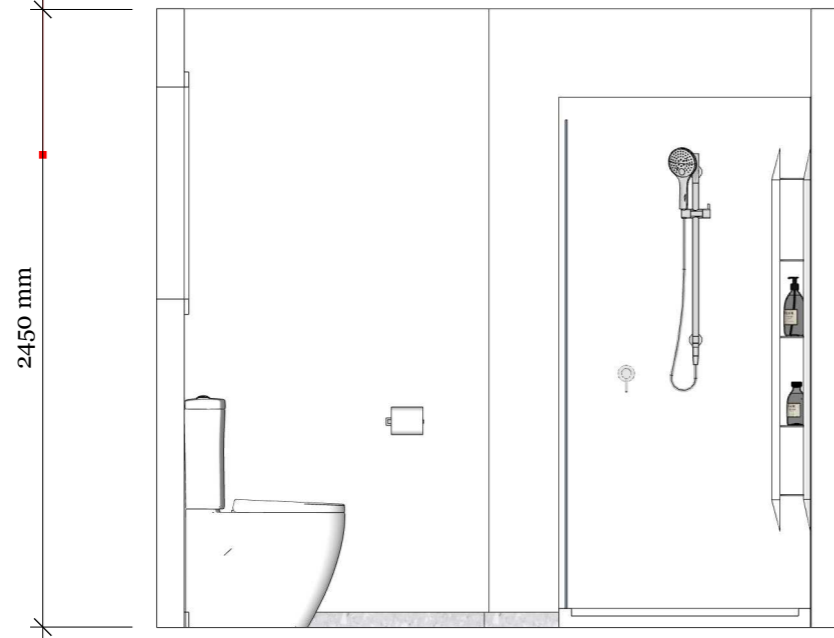


**1 ELEVATION**  
 A1:02 Scale 1:50

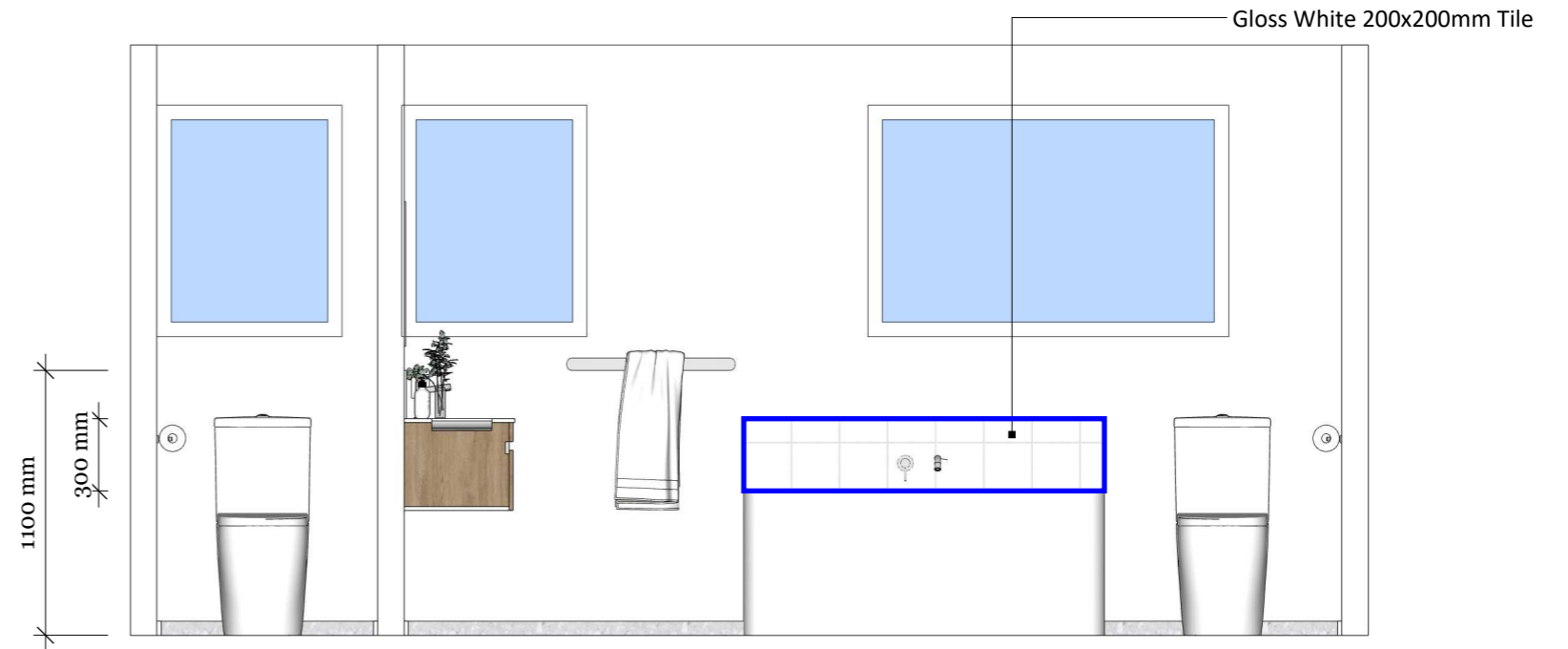


**2 ELEVATION**  
 A1:02 Scale 1:50

STUD HEIGHT



**3 ELEVATION**  
 A1:02 Scale 1:50



**4 ELEVATION**  
 A1:02 Scale 1:50



Butterfield Bathrooms  
 info@butterfield.co.nz

223a Annex Road, Middleton  
 Christchurch

www.butterfieldbathrooms.co.nz

PROJECT DETAILS:

**JENNY DICKINSON**  
 1 GILMORE PLACE, BURNSIDE 8053

DRAWING DETAILS:

**CONSTRUCTION ELEVATIONS**

GENERAL NOTES:

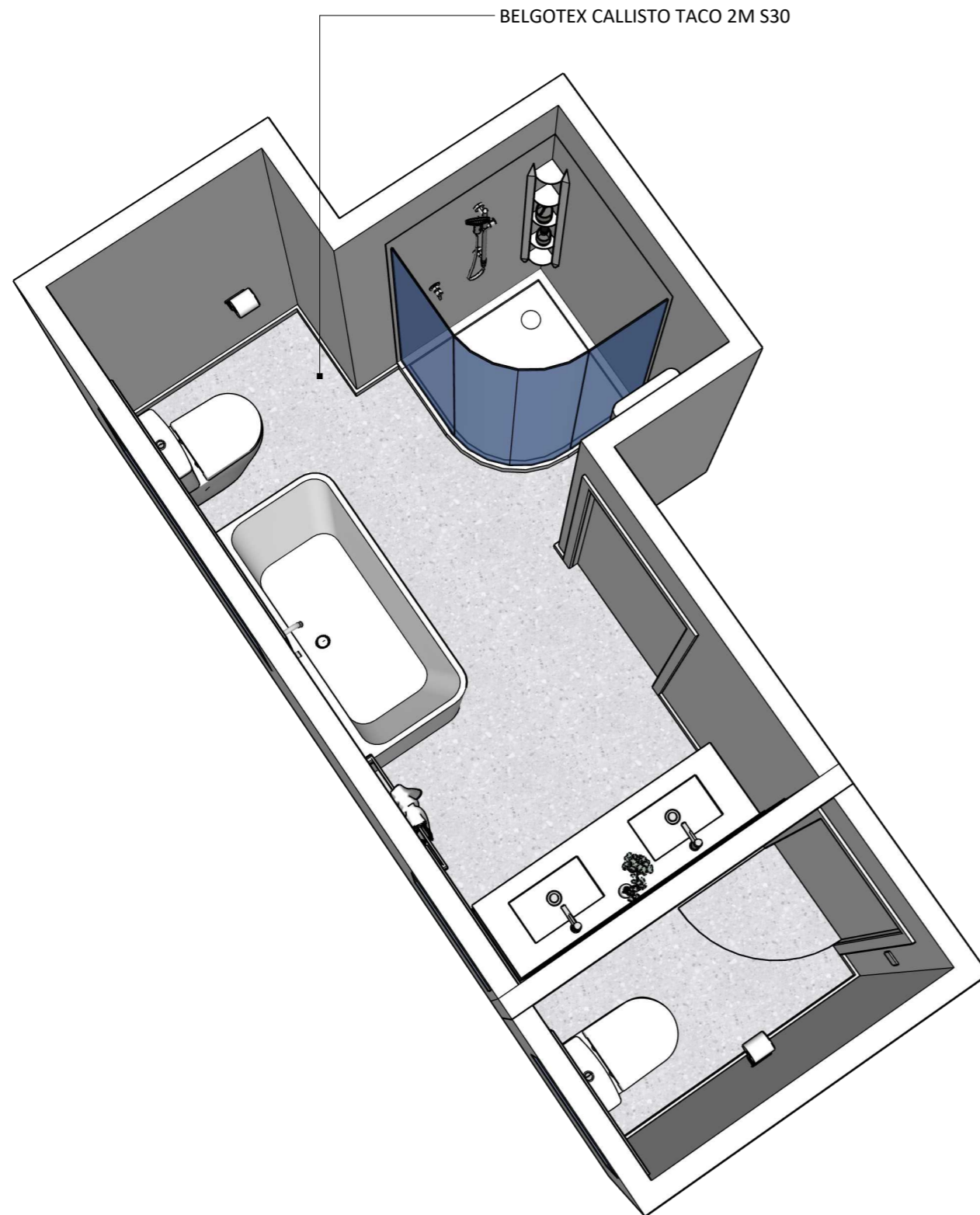
- All work to comply with the NZ Building code and NZS3604:2011
- MIBE Guide to Tolerances, Materials and Workmanship 2015 to govern work finishes
- Do not scale off drawings
- Contractor to locate all services and confirm dimensions prior to work
- All dimensions in mm and measured from finished surface level
- Exact positions of fittings may change due to wall framing locations

REVISIONS

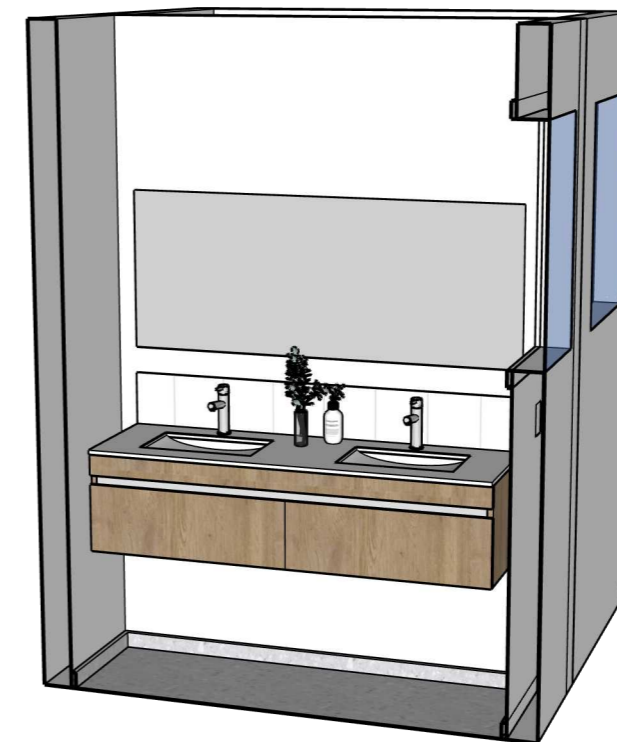
DATE	DESCRIPTION
18/09/2025	PROPOSAL
30/09/2025	R1 UPDATE
15/10/2025	R2 UPDATE
15/01/2026	CONSTRUCTION DOCUMENT

03

A1



ISOMETRIC



ISOMETRIC SECTION



ISOMETRIC SECTION



The copyright of this drawing remains with Butterfield Bathrooms

Butterfield Bathrooms  
 info@butterfield.co.nz  
 223a Annex Road, Middleton  
 Christchurch  
 www.butterfieldbathrooms.co.nz

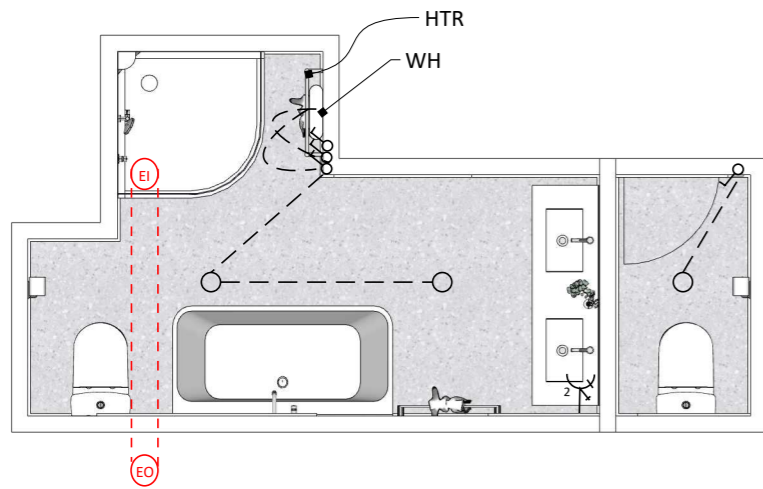
PROJECT DETAILS:  
**JENNY DICKINSON**  
 1 GILMORE PLACE, BURNSIDE 8053

DRAWING DETAILS:  
**CONSTRUCTION ISOMETRICS**

GENERAL NOTES:  
 1. All work to comply with the NZ Building code and NZS3604:2011  
 2. MIBE Guide to Tolerances, Materials and Workmanship 2015 to govern work finishes  
 2. Do not scale off drawings  
 3. Contractor to locate all services and confirm dimensions prior to work  
 4. All dimensions in mm and measured from finished surface level  
 5. Exact positions of fittings may change due to wall framing locations

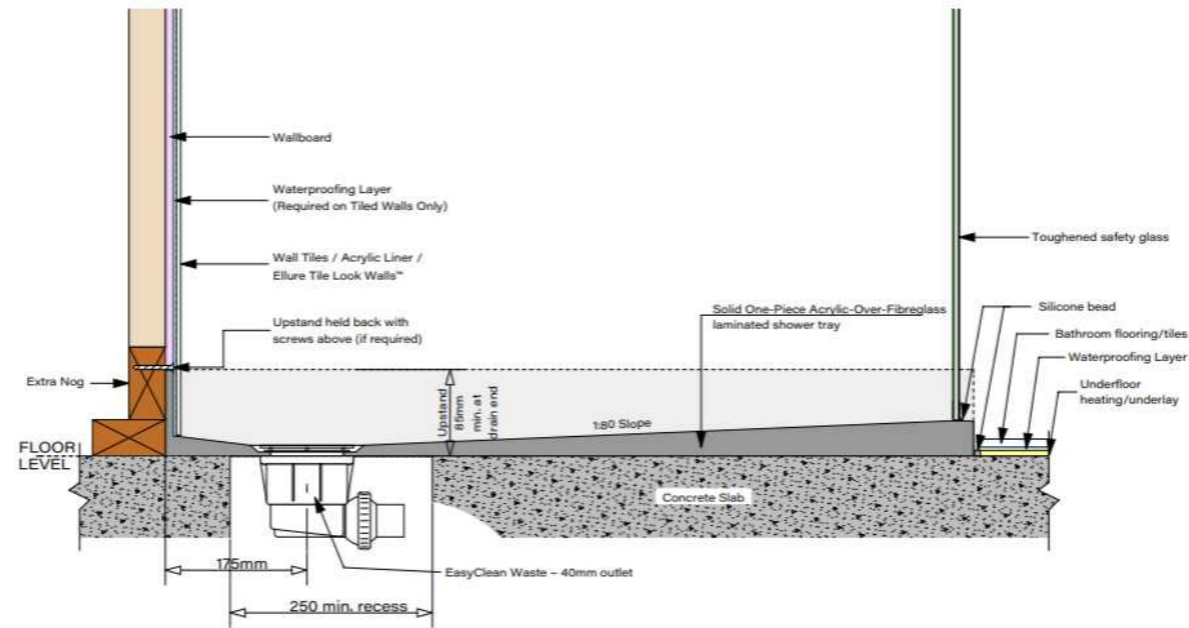
REVISIONS	
18/09/2025	PROPOSAL
30/09/2025	R1 UPDATE
15/10/2025	R2 UPDATE
15/01/2026	CONSTRUCTION DOCUMENT

ELECTRICIAN TO CONFIRM LIGHT POSITION WITH CLIENT



**ELECTRICAL SERVICES**

Scale 1:50



**5 WATERPROOFING DETAIL**

Scale 1:10

**PLUMBING SPECIFICATIONS**

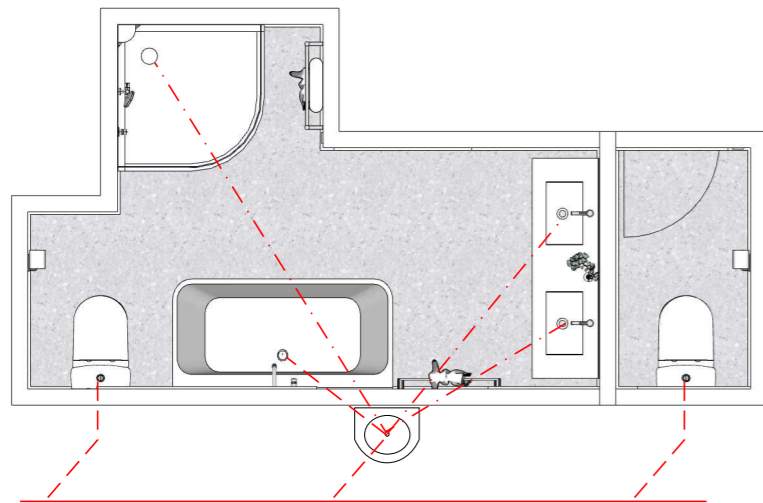
All Plumbing work to comply with NZS3500.2:2015 Plumbing and drainage

**Plumbing Services**

Bath	DN40mm; Slope 1:40
Shower	DN40mm; Slope 1:40
Vanity	DN40mm; Slope 1:40
Toilet	DN80mm; Slope 1:60

**FINISHES**

<b>Walls</b>	
- Waterproofing	Mapei Mapegum WPS
- Tiled non-wet area	Selected ceramic tiles on Aqualine screwed at 150mm centres
- Paint finishes	New wall and ceiling painting to be impervious, fit for purpose, waterbased enamel paint



**PLUMBING SERVICES**

Scale 1:50



**WATERPROOFING**

Waterproofing to follow the Code of Practice for Internal Wet Area Membrane, manufacturers installation instructions and NZBC E3  
 Figures for waterproofing detail from Code of Practice for Internal Wet Area Membranes 2024 seen in Figure 11 Waterproofing Detail

**ELECTRICAL SPECIFICATIONS**

All electrical work to comply with NZS3000:2018 Electrical Installations

**Electrical Key**

○	Lighting (Recess LED)
—	LED Lighting
⏻	Switch
⏻⏻	Double Electrical Plug
□	Underfloor Heating Controller
WH	Wall Heater
HTR	Heated Towel Rail
UF	Underfloor Heating
ⓔ	Extraction Inlet
ⓔ	Extraction Outlet



Butterfield Bathrooms  
info@butterfield.co.nz

223a Annex Road, Middleton  
Christchurch

www.butterfieldbathrooms.co.nz

**PROJECT DETAILS:**

**JENNY DICKINSON**  
1 GILMORE PLACE, BURNSIDE 8053

**DRAWING DETAILS:**

**CONSTRUCTION DETAILS**

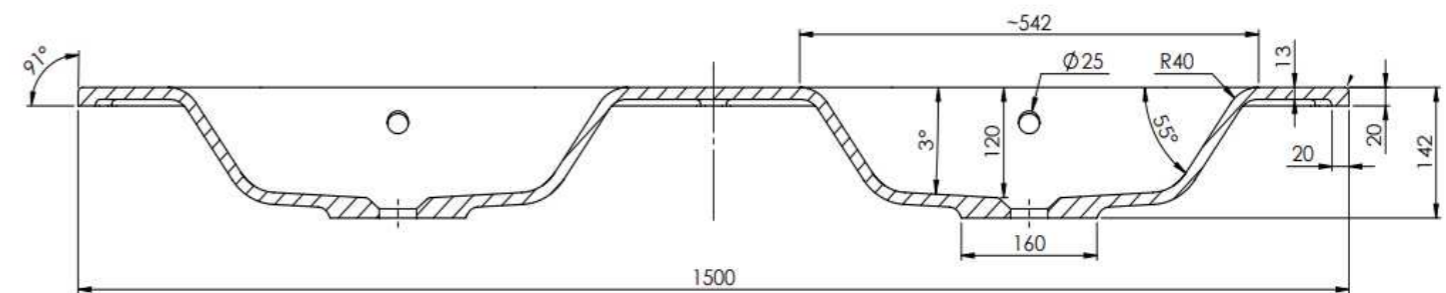
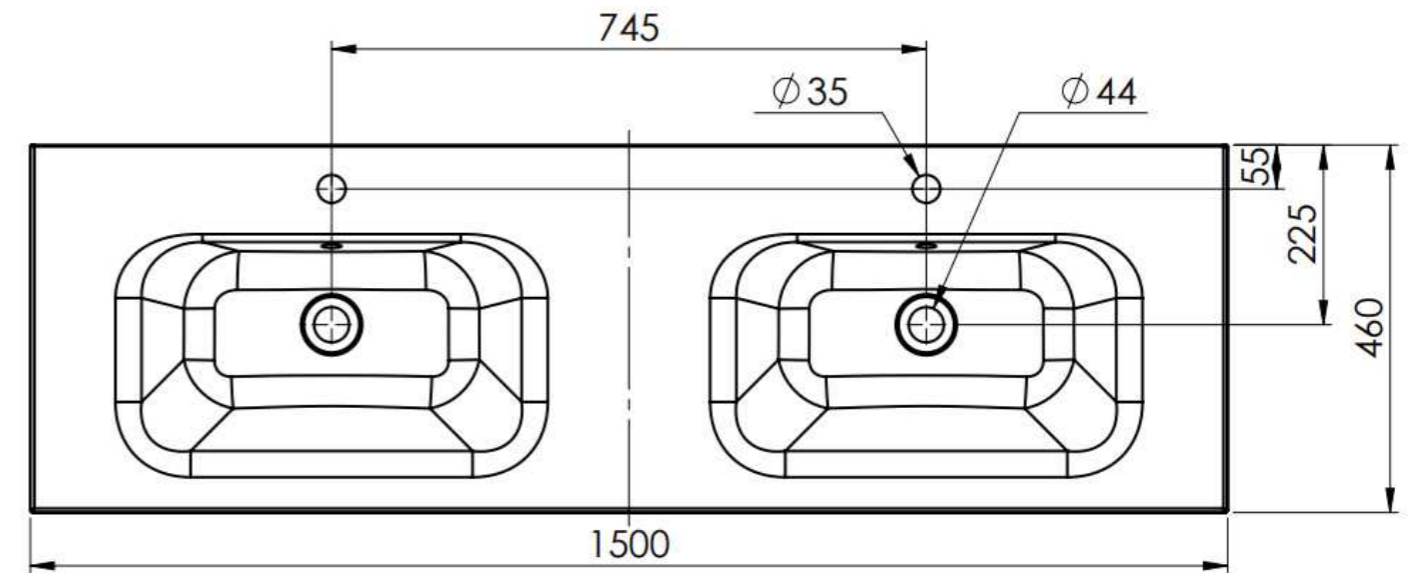
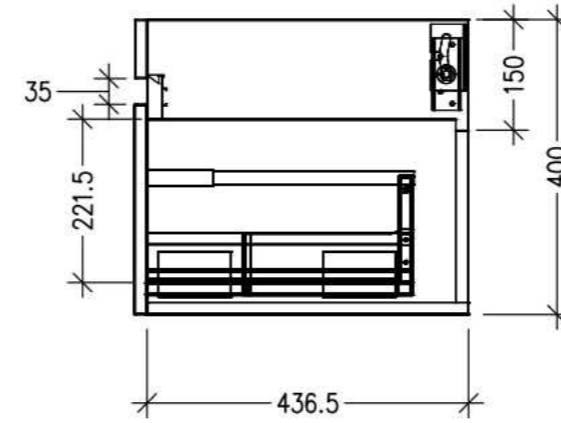
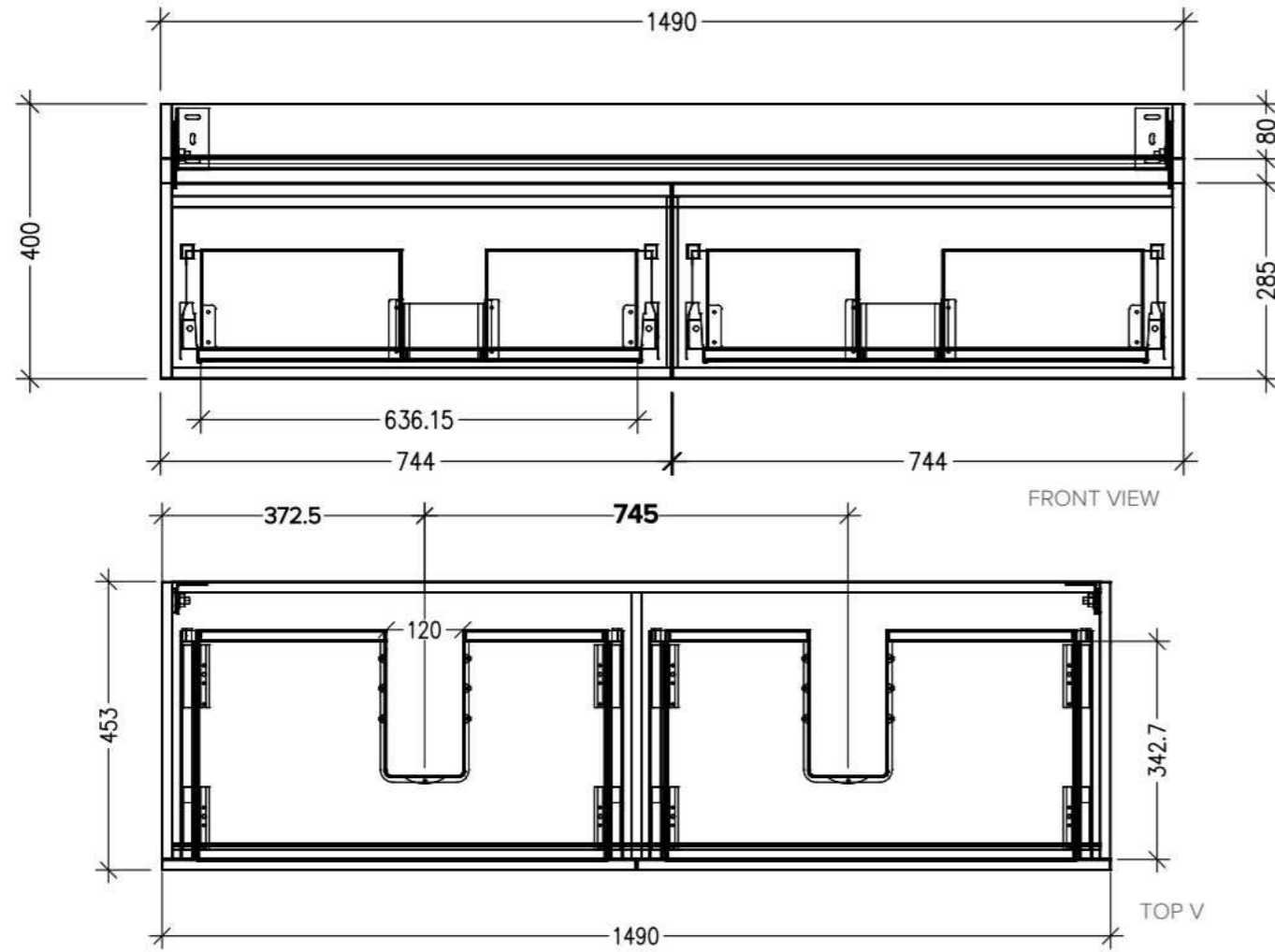
**GENERAL NOTES:**

- All work to comply with the NZ Building code and NZS3604:2011
- MIBE Guide to Tolerances, Materials and Workmanship 2015 to govern work finishes
- Do not scale off drawings
- Contractor to locate all services and confirm dimensions prior to work
- All dimensions in mm and measured from finished surface level
- Exact positions of fittings may change due to wall framing locations

**REVISIONS**

18/09/2025	PROPOSAL
30/09/2025	R1 UPDATE
15/10/2025	R2 UPDATE
15/01/2026	CONSTRUCTION DOCUMENT

A1 05



**VANITY & BOWL SPECS**



Butterfield Bathrooms  
info@butterfield.co.nz

223a Annex Road, Middleton  
Christchurch

www.butterfieldbathrooms.co.nz

**PROJECT DETAILS:**

**JENNY DICKINSON**  
1 GILMORE PLACE, BURNSIDE 8053

**DRAWING DETAILS:**

**PRODUCT SPECIFICATIONS**

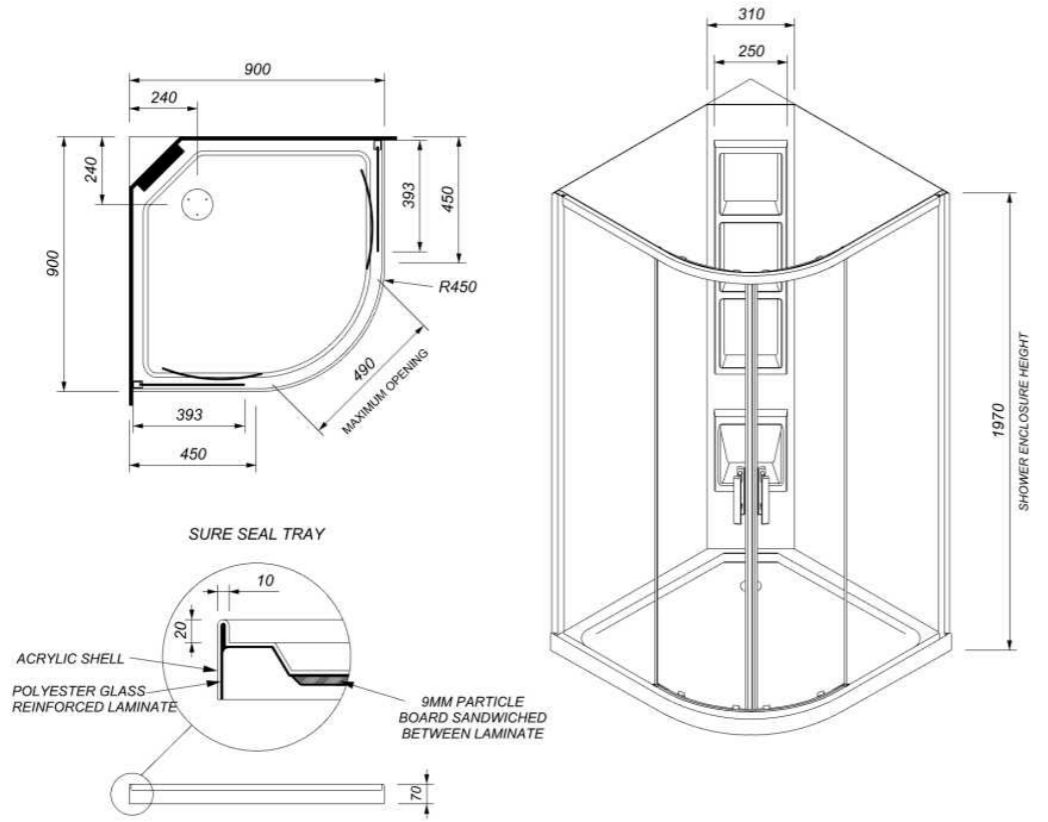
**GENERAL NOTES:**

1. All work to comply with the NZ Building code and NZS3604:2011
2. MIBE Guide to Tolerances, Materials and Workmanship 2015 to govern work finishes
3. Do not scale off drawings
4. Contractor to locate all services and confirm dimensions prior to work
5. All dimensions in mm and measured from finished surface level
6. Exact positions of fittings may change due to wall framing locations

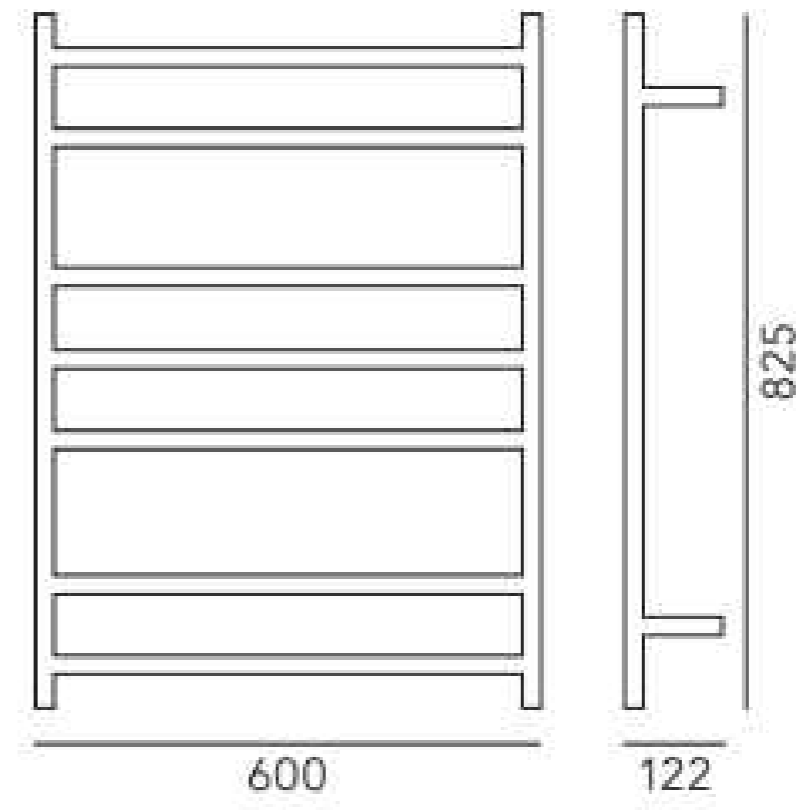
**REVISIONS**

18/09/2025	PROPOSAL
30/09/2025	R1 UPDATE
15/10/2025	R2 UPDATE
15/01/2026	CONSTRUCTION DOCUMENT

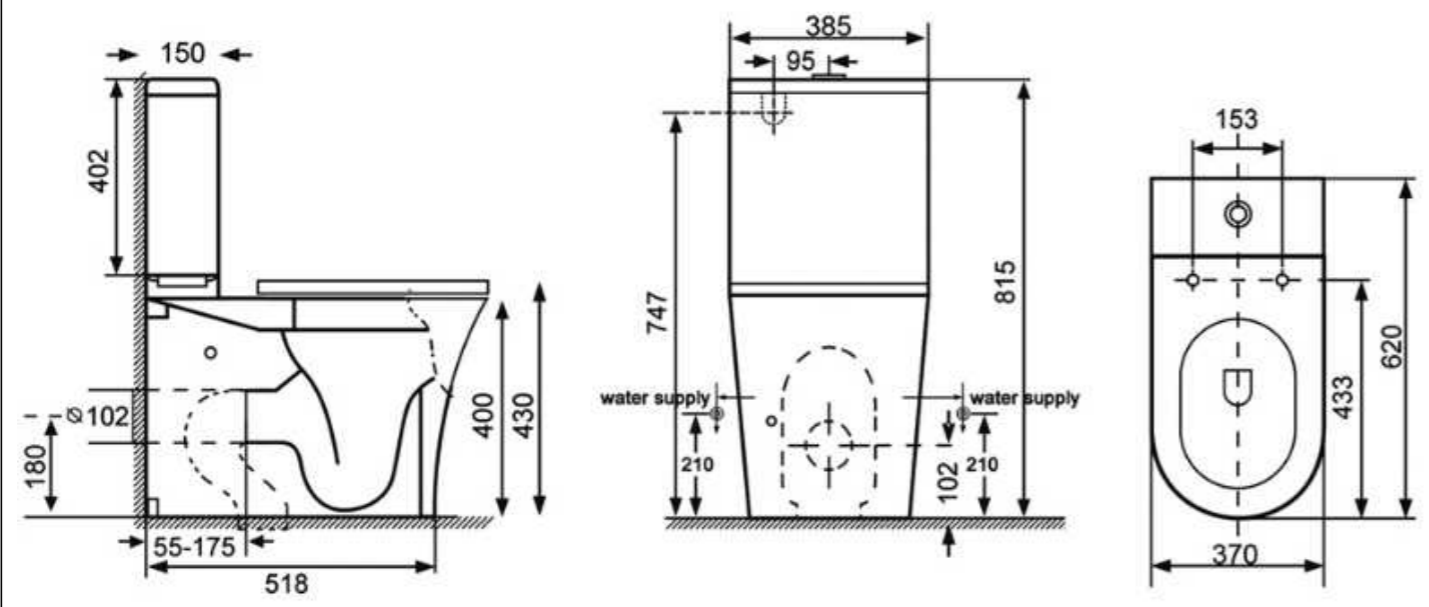
A1 06



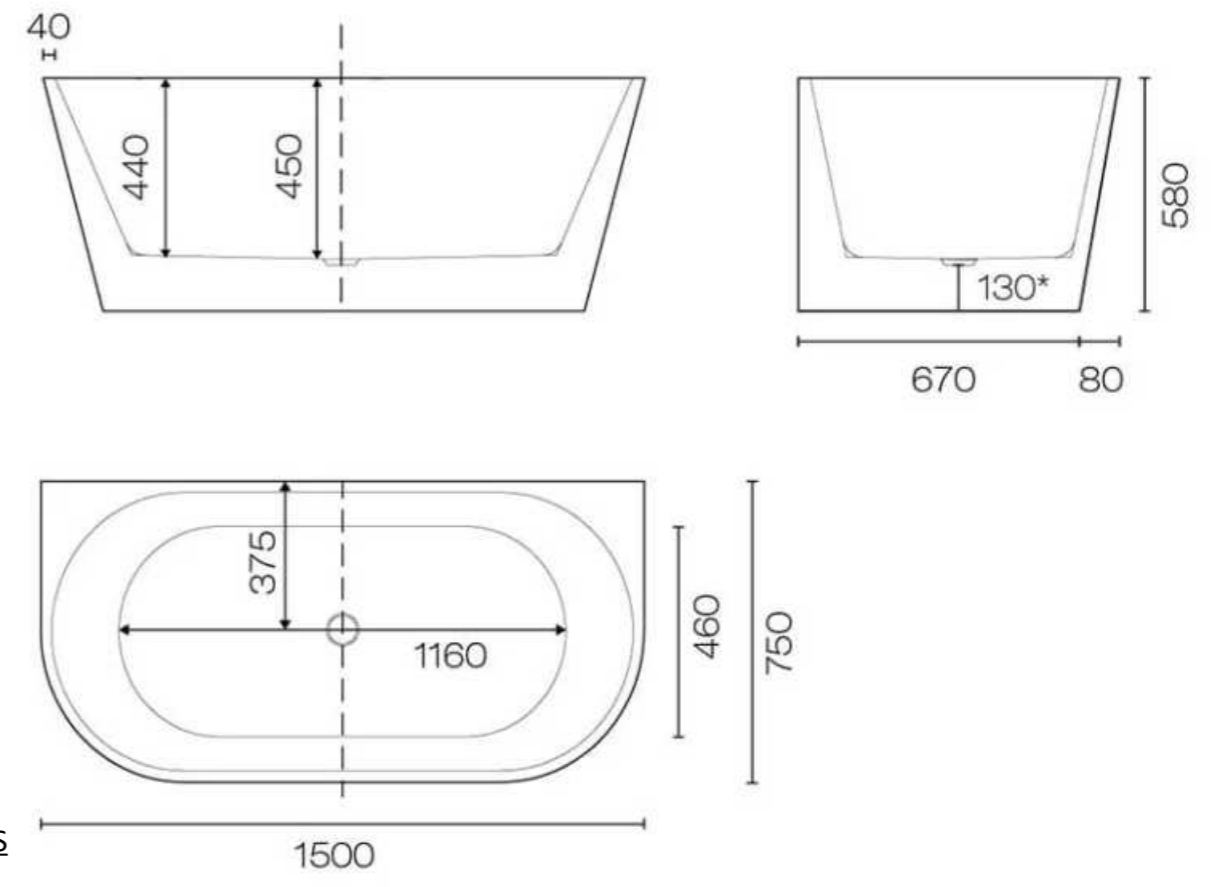
**SHOWER SPECS**



**HTR SPECS**



**TOILET SPECS**



**BATH SPECS**



Butterfield Bathrooms  
 info@butterfield.co.nz  
 223a Annex Road, Middleton  
 Christchurch  
 www.butterfieldbathrooms.co.nz

**PROJECT DETAILS:**  
**JENNY DICKINSON**  
 1 GILMORE PLACE, BURNSIDE 8053

**DRAWING DETAILS:**  
**PRODUCT SPECIFICATIONS**

- GENERAL NOTES:**
1. All work to comply with the NZ Building code and NZS3604:2011
  2. MIBE Guide to Tolerances, Materials and Workmanship 2015 to govern work finishes
  3. Do not scale off drawings
  4. Contractor to locate all services and confirm dimensions prior to work
  5. All dimensions in mm and measured from finished surface level
  6. Exact positions of fittings may change due to wall framing locations

REVISIONS	
18/09/2025	PROPOSAL
30/09/2025	R1 UPDATE
15/10/2025	R2 UPDATE
15/01/2026	CONSTRUCTION DOCUMENT

**A1 07**

30/10/2025

Address: 1 Gilmore Place, Burnside  
BB Quote: BB25262 R4  
Email: jenny.dickinson23@gmail.com  
Phone Number: 021 658 085  
Subject: Quotation for your bathroom and toilet renovation

Dear Jenny Dickinson,

Outlined below is the forth revision for your bathroom and toilet renovation as per our recent discussions.

Please check this quotation thoroughly as if it has not been documented here it will not form part of this project.

#### Quotation Summary

##### Bathroom

- Strip the bathroom of fixtures and fittings, floor linings and all wall linings
- Install new shower, bath, vanity, toilet and associated tapware
- Install heated towel rail, fan heater, extraction fan, double plug/s into bathroom
- Replace existing lights with recessed LED lighting
- Stop all new plasterboard and paint selected walls, ceiling, and trims
- Supply and install sheet vinyl on the bathroom floor
- Due to the age of the property we may discover structural issues over the duration of the demolition. Any additional work carried out will be charged as a variation.

##### Toilet

- Remove toilet and
- Install toilet, toilet roll holder
- Replace existing lights with recessed LED lighting and update switch
- Stop all new plasterboard and paint all walls, ceiling, and trims
- Install supplied sheet vinyl on the toilet floor
- Fully batt room (Homeowner supplied insulation)

**You've now selected your fixtures and fittings, and we've applied our trade pricing to this updated quotation. To ensure you get the best value, we've also shopped around and attached the supplier's final quote for your review.**

##### Bathroom

- Shower package - tray and glass
- Shower slide rail/rose - Single head (Single - 1 of)
- Shower Mixer (Shower - 1 of)
- Bath
- Bath waste
- Bath Mixer (Bath)
- Bath Spout
- Mixer/Tap
- Vanity hand towel rail ( of)
- Toilet roll holder
- Heated Towel rail/Bars
- Fan heater
- Over mirror light (Wall mounted)
- In ceiling extraction unit

##### Toilet

- Toilet roll holder

Retain existing:

##### Bathroom

- Mirror

**Home Owner Supplied**

- Vanity
- Toilet (2 off)

**Code Compliance**

- These are additional costs that may be occurred to ensure that your property meet minimum legal compliance
- The electrician will carry out an assessment of the bathroom wiring at the disconnection stage of the project.  
If there is going to be any additional costs to bring the property up to standard you will be informed as soon as we can to prevent any project delays.

Yours sincerely,

Ben Cowie  
Mob: 021 106 6872  
[ben@butterfield.co.nz](mailto:ben@butterfield.co.nz)

**SCOPE OF WORKS - 1 Gilmore Place, Burnside - Bathroom And Toilet Renovation****Pre-start**

- Sample identified areas for asbestos for testing
- Floor substrate: Concrete
- Age/Style of Property: 1970's

**Mobilisation**

- Install floor protection over route between the work area and entry to building
- Take rubbish and supply trailer and establish on site

Retain existing:

Bathroom

- Mirror

**Bathroom Scope****Demolition**

- Strip out the bathroom of all fixtures and fittings
- Remove and store items that are to be retained for reuse
- Remove bathroom wall linings
- Lift floor linings in the bathroom (average allowance to lift)
- Dispose of all demolition materials

**Carpentry**

- No cost to level floor around the bathroom toilet earea
- Cut channels into the concrete floor as required for waste pipes
- Install new framework for the fixtures and fittings
  - Vanity (1 bowl - Standard)
  - Toilet
  - Shower (with moulded liner)
  - Bath
  - Mirror above vanity
  - Heated towel rail
  - Fan heater
  - Light over mirror
- Frame up 100mm wall shelf on wall with vanity to 1.2m height (see plans)
- Reline the bathroom walls and ceiling with standard plasterboard
- Install fixtures and fittings:
  - Vanity (1 bowl - Standard)
  - Vanity hand towel rail ( off)
  - Mirror over the vanity
  - Shower package (liner and doors)
  - Toilet roll holder
  - Doorstop/s if required (suitable colour)
- No allowance to level ceiling, if required will be carried out as a cost variation

**Plumbing & Drainage**

- Supply & Install new pipework where required for the connection of the new fittings & fixtures
  - Vanity (1 bowl)
  - Toilet
  - Shower
  - Bath
- Install the new tapware
- Install the toilet

**Electrical**

- Disconnect existing electrical fixtures to allow for other works
- Supply and install a new extraction fan and vent through the soffit (to be confirmed on site)

- Replace the existing ceiling lights with recessed LED downlights (position dictated by ceiling joists)
- Supply and install a double socket beside vanity (vertical unless specified)
- Install fan heater
- Install the heated towel rail with concealed wiring
- Install the light over vanity (Wall mounted)
- Swap the existing switch for a new switch plate containing switches for:
  - Extraction fan
  - Heater
  - Ceiling lights
- Install switch for light over vanity on plug plate

**Decorating**

- Tape and stop new plasterboard to a level 4 (paintable) finish in the bathroom
- Seal all new plasterboard
- Prepare and apply two top coats all walls and the ceiling in the bathroom
- Prepare and apply two top coats to the bathroom doors
- Supply and install sheet vinyl on the bathroom floor
- No allowance to paint wall on otherside of cavity slider
- Additional painting can be carried out at homeowner request

**Waterproofing & Tiling**

- Install tiles (200mm) above the top of the vanity
- Install tiles (300mm) above the bath
- Grout colour to be light grey unless otherwise specified
- Apply silicon and trim where required

**Separate Toilet Scope****Demolition**

- Remove back wall to window sill height
- Remove existing toilet
- Lift floor linings in the toilet
- Dispose of all demolition materials

**Carpentry**

- Fully batt room (Homeowner supplied insulation)
- 
- Install new framework for the toilet fixtures:
  - Toilet
- Install toilet roll holder
- Install doorstops if required (suitable colour)

**Plumbing & Drainage**

- Supply & Install new pipework where required for the new fittings:
  - Toilet
- Install the new toilet

**Electrical**

- Disconnect existing electrical fixtures to allow for other works
- Replace the existing ceiling lights with recessed LED downlights (position dictated by ceiling joists)
- Update the existing light switch

**Decorating**

- Tape and stop new plasterboard to a level 4 (paintable) finish in the toilet
- Seal all new plasterboard
- Prepare and apply two top coats to walls and the ceiling in the toilet
- Prepare and apply two top coats to the skirtings & architraves in the toilet
- Install supplied vinyl on the toilet floor

**Post Works**

- Clean the newly renovated bathroom
- Remove the floor protection

Quote No.: CHQ0074464

Quote Date: 15/10/2025

Expiration Date: 14/11/2025

Salesperson: Maki.sakamoto-johnston

Customer Order No.: 1 Gilmore Place

**Invoice To:**

Brooke  
Butterfield Bathrooms Limited  
5 Lyndon Street  
Christchurch 8011  
New Zealand

**Deliver To:**

Brooke  
027 3511 601

Schedule No.	Item	Description	Quantity	U/M	Unit Price exc GST	RRP exc GST	Line Value exc GST
	LF1970355CP- 2	Vantage Basin Mixer (Fixed) LF CP	2.00	EA	159.26	208.51	318.52
	Comment	<b>1500 Brookfield Ex Dis Vanity, Purchased</b>					
	Purchased by customer direct from HB						
	WTPUDOF32	Brass Pop up Basin Waste O/F CP 32MM	2.00	EA	15.39	51.49	30.78
	Comment						
	BI	1971407CP Vantage Shower Mixer MP Square	1.00	EA	140.24	185.15	140.24
	SHALCP2	Alpha Slide SHW MKII *WSL*	1.00	EA	221.88	323.85	221.88
<b>TBC</b>	066200CW	SHOWER TRAY 1000X1000 ROUND CNR WASTE	1.00	EA	382.93	501.72	382.93
	812831	CLEARLITE E/CLEAN WASTE CHROME	1.00	EA	36.59	44.40	36.59
	0771002206	MOULDED WL 1000X1000 2S 1920	1.00	EA	382.93	561.88	382.93
	093103100	CEZANNE DOOR SET 1000 RD BRHT	1.00	EA	737.80	1,411.92	737.80
	Comment						
	Comment	<b>Cura Toilet x2, Purchased by customer</b>					
	Purchased by customer direct from HB						
	HTRN	Hieko Toilet Roll Holder	2.00	EA	21.60	35.31	43.20
	Comment						
	HTR700	Heiko Towel Rail 700mm	1.00	EA	47.35	67.18	47.35
	PRHTR	Punch Round HTR 825x600 Polished	1.00	EA	174.39	205.92	174.39
	Comment						

**Sales Amount:**

**Sales Tax:**

**Total:**

**Special Instructions:**

Account name: HARRISON BLOY PLUMBING & BATHROOMS LIMITED

Bank account for payment is: 02-0192-0145086-029

For terms and conditions please see our website [www.harrisonbloy.co.nz](http://www.harrisonbloy.co.nz)

All items quoted are subject to availability/ Non stock lines are generally non-returnable or will incur a restocking fee. A 50% deposit is required for all non-account holders upon acceptance of this quotation. Please ensure that the size, colour and quantities are correct. We reserve the right to change our price on any commercial project if the complete project is not confirmed with us. Thanks for giving Harrison Bloy the opportunity to quote on your requirements. If you have any questions, please dont hesitate to contact us

Quote No.: CHQ0074464

Quote Date: 15/10/2025

Expiration Date: 14/11/2025

Salesperson: Maki.sakamoto-johnston

Customer Order No.: 1 Gilmore Place

**Invoice To:**

Brooke  
Butterfield Bathrooms Limited  
5 Lyndon Street  
Christchurch 8011  
New Zealand

**Deliver To:**

Brooke  
027 3511 601

Schedule No.	Item	Description	Quantity	U/M	Unit Price exc GST	RRP exc GST	Line Value exc GST
	PEMHID5936	900x1500 Trendy Polished Edge Mirror	1.00	EA	303.45	338.41	303.45
		Comment					
	ENYABTWB1 500	Enya Avalon 1500 Back to Wall F/S Bath	1.00	EA	1,073.17	1,258.40	1,073.17
	BI	1971407CP Vantage Shower Mixer MP Square	1.00	EA	140.24	185.15	140.24
	BI	1970210CP Vantage Bath Spout Chrome	1.00	EA	142.63	188.31	142.63
	2280	Evoke 40mm 2pc Bath Waste - Chrome	1.00	EA	40.93	70.48	40.93

**Sales Amount:** 4,217.03  
**Sales Tax:** 632.55  
**Total:** 4,849.58

**Special Instructions:**

Account name: HARRISON BLOY PLUMBING & BATHROOMS LIMITED

Bank account for payment is: 02-0192-0145086-029

For terms and conditions please see our website [www.harrisonbloy.co.nz](http://www.harrisonbloy.co.nz)

All items quoted are subject to availability/ Non stock lines are generally non-returnable or will incur a restocking fee. A 50% deposit is required for all non-account holders upon acceptance of this quotation. Please ensure that the size, colour and quantities are correct. We reserve the right to change our price on any commercial project if the complete project is not confirmed with us. Thanks for giving Harrison Bloy the opportunity to quote on your requirements. If you have any questions, please dont hesitate to contact us

## Butterfield Bathroom Renovations Workmanship Guarantee

**Customer Name:** Jenny Dickinson

**Project Address:** 1 Gilmore Place, Burnside

### **Guarantee Details**

Butterfield Bathroom Renovations guarantees that the renovation work carried out at the above address complies with the New Zealand Building Act 2004 and the New Zealand Building Code. This guarantee is provided in addition to the rights and remedies available under the Consumer Guarantees Act 1993.

### **Scope of Work**

The work covered under this guarantee includes all construction, installation, and finishing work detailed in the project quotation dated 30/10/2025.

### **Duration of Guarantee**

This guarantee is in line with New Zealand law, providing coverage for a period of 10 years from the date of this guarantee.

### **What Is Covered**

1. **Workmanship and Quality:** All work will be performed with reasonable care and skill and will be fit for purpose.
2. **Compliance:** All work will comply with the New Zealand Building Code and relevant standards.
3. **Defects:** Any defects arising from faulty workmanship or materials supplied by Butterfield Bathroom Renovations will be remedied at no cost to the customer.

### **What Is Not Covered**

1. **Wear and Tear:** Normal wear and tear, or damage caused by misuse, neglect, or abuse.
2. **Maintenance:** Routine maintenance and minor adjustments.
3. **Third-Party Work:** Defects resulting from work performed by third parties not contracted by Butterfield Bathroom Renovations.

### **Claims Process**

In the event of a defect covered by this guarantee, please contact us at:

Butterfield Bathroom Renovations

Phone: 03 341 8555

Email: [brooke@butterfield.co.nz](mailto:brooke@butterfield.co.nz)

Address: 223a Annex Road, Middleton, Christchurch

Please Provide Details of the issue and any supporting documentation or photographs. We will assess the claim and, if valid, arrange for the necessary remedial work to be carried out promptly.

### **Your Rights Under the Consumer Guarantees Act 1993**

This guarantee is provided in addition to your rights under the Consumer Guarantees Act 1993. You are entitled to:

- Have the work performed with reasonable care and skill.
- Remedy for any failure to meet these guarantees, which may include repair, replacement or compensation.

### **Additional Information**

For more information about your rights under the Consumer Guarantees Act, please visit the Consumer Protection Website.

Signed:



Guy Butterfield

Director

Butterfield Bathroom Renovations

Date: 07/04/2026

## Construction Documentation

The following construction documentation will be provided to ensure that the work carried out will meet the requirements of the Building Act 2004.

### **Energy Work Certificates**

- Electrical: Provide an electrical safety certificate

### **Structure: Inspections**

- Construction Monitoring: All site inspection records including the following:
  - Pre-line inspection
  - Linings/Tanking inspection
  - Final Inspection

Construction monitoring records include site notes and photographs

### **Construction Statements**

- Carpentry – Producer Statement PS3
- Plumbing – Producer Statement PS3
- Waterproofing – Producer Statement PS3



# ELECTRICAL CERTIFICATE OF COMPLIANCE & ELECTRICAL SAFETY CERTIFICATE



REFERENCE/CERTIFICATE ID No.:

4372

This form has been designed to be used by licensed electrical workers to certify that installations or Part installations under Part 1 or Part 2 of AS/NZS 3000 are safe to be connected to the specified system of electrical supply.

**Location Details:** 1 Gilmore Place, Burnside, Canterbury, 8053

**Contact Details:** Butterfield Bathrooms  
(Name and address) ...

**Name & License of Electrical worker:** Anthony Sapsford E254149

**Email:** anthony.sapsford@gofox.nz **Phone:** 027 9773 470

**Company:** ACS Electrical Chch Ltd

**Name and registration number of person(s) supervised:** nico hope , elijah ardern

## ELECTRICAL CERTIFICATE OF COMPLIANCE

**Type of work**

<input type="checkbox"/> Addition	<input checked="" type="checkbox"/> Alteration	<input type="checkbox"/> New Work
<input type="checkbox"/> Low Risk	<input checked="" type="checkbox"/> General	<input type="checkbox"/> High Risk (Specify)
<input type="checkbox"/> Part 1 of AS/NZS 3000	<input checked="" type="checkbox"/> Part 2 of AS/NZS 3000	<input type="checkbox"/> Additional (Specify)

Specify Risk / Standards

**Descriptions of Work (Including date/s of work and type of supply system)**

Disconnect and make safe

wire and install 2 x led downlight, mirror light , heater , piwerpoint , towelrail , extract fan

I certify that the completed prescribed electrical work to which this Certificate of Compliance applies has been done lawfully and safely, and the information in the certificate is correct in that installation, or part of the installation.

Select those that apply

- Has been installed in accordance with the specified certified design\*
- Has an earthing system that is correctly rated (where applicable)
- Contains fittings that are safe to connect to a power supply
- Relies on supplier Declaration of Conformity\*
- Relies on a manufacturer's instructions\*
- Has been satisfactorily tested in accordance with the Electrical (Safety) Regulations 2010
- Is safe to connect

Test Results		
Polarity (Independent earth)	✓	
Insulation Resistance	200+	MΩ
Earth Continuity	.1	Ω
Bonding		Ω
Fault Loop Impedance		Ω
Prospective Short Circuit Current		A
RCD Time		ms

Attach or reference to supporting documents: [www.jarussell.co.nz](http://www.jarussell.co.nz)

**Certifiers Signature:** **Certificate Issue Date:** 20/02/2026 **Date of work:** 20/02/2026

## ELECTRICAL SAFETY CERTIFICATE

I certify that the installation, or part of the installation, to which this Electrical Safety Certificate applies is connected to a power supply and is safe to use.

**Certifier's Name:** Anthony Sapsford **Registration / Practising licence:** E254149

**Certifiers Signature:** **Certificate Issue Date:** 20/02/2026 **Connection Date:** 20/02/2026

## CUSTOMER COPY

[www.gofox.nz](http://www.gofox.nz)

**THIS IS AN IMPORTANT DOCUMENT AND SHOULD BE RETAINED FOR A MINIMUM OF 7 YEARS**

**0800 95 99 99**

This Electrical Safety Certificate also confirms that the electrical work complies with the building code for the purposes of Section 19(1)(e) of the Building Act 2004.

## Inspection Point Checklist – First Fix Completion


**Site Address:** 1 Gilmore Place, Burnside

**Inspection By:** Cam Macdonald

**Date:** 07/04/2026

**Supporting Documents:**

Project Scope of Works

<b>Demolition</b>	
Fixtures and Fittings	YES
Linings	YES
Skirtings and Architraves	YES
<b>Plumbing</b>	
Bath	YES
Shower	YES
Toilet	YES
Vanity	YES
<b>Electrical</b>	
Heated Towel Rails	YES
Fan Heater	YES
Lights	YES
Plugs	YES
Switches	YES
<b>Carpentry</b>	
Bath	YES
Cabinet	N/A
Shower	YES
Toilet	YES
Vanity	YES
Heated Towel Rail	YES
Heater	YES
<b>Room Checks</b>	
Insulation in exterior walls	YES
Squareness of walls checked	YES
No existing/remaining rot/borer	YES
Floor Level	YES
Check Coverings	YES
<b>Inspection Outcome</b>	Pass: Continue with lining of bathroom
<b>Signed:</b>	

## Inspection Point Checklist – Linings Completion


**Site Address:** 1 Gilmore Place, Burnside

**Inspection By:** Cam Macdonald

**Date:** 07/04/2026

**Supporting Documents:**

Project Scope of Works & Project Plans and Elevations

<b>Linings:</b>	
Linings Complete	YES
Penetrations for electrical fittings	YES
<b>Plaster</b>	
<b>Corners</b>	
Internal	YES
External	YES
Finishing	YES
Intersections	YES
<b>Undercoat</b>	
Complete with no imperfections	YES
<b>Checks</b>	
Check Coverings	YES
Architraves and reveals	YES
<b>Inspection Outcome</b>	Pass: Continue with final fix of bathroom
<b>Signed:</b>	

## Inspection Point Checklist – Final Completion


**Site Address:** 1 Gilmore Place, Burnside

**Inspection By:** Cam Macdonald

**Date:** 07/04/2026

**Supporting Documents:**

Project Scope of Works & Project Plans and Elevations

<b>Plumbing</b>	
Bath	YES
Shower	YES
Toilet	YES
Vanity	YES
Laundry Tub	N/A
<b>Electrical</b>	
Heated Towel Rail	YES
Fan Heater	YES
Lights	YES
Plugs	YES
Switches	YES
Extraction	YES
<b>Fittings</b>	
Splashback	YES
Mirror	YES
<b>Finishings</b>	
Floor Coverings	YES
Paint	YES
Silicone	YES
<b>Junctions</b>	
Architraves	YES
Showers	YES
Corners	YES
<b>General</b>	
Cleaning	YES
<b>Inspection Outcome</b>	Pass: Continue with handover of bathroom
<b>Signed:</b>	



Consenting & Compliance Group

# Producer statement construction (PS3)

All sections of this PS3 must be completed

**Tick applicable Contractor for:**

- |   |   |   |                                    |
|---|---|---|------------------------------------|
| <input checked="" type="checkbox"/> Building  | <input type="checkbox"/> Emergency Lighting | <input type="checkbox"/> Cladding               | <input type="checkbox"/> Escalator |
| <input type="checkbox"/> Waterproof Membranes | <input type="checkbox"/> Drainlayer         | <input type="checkbox"/> Fire Alarm             | <input type="checkbox"/> Lift      |
| <input type="checkbox"/> Mechanical (HVAC)    | <input type="checkbox"/> Solar Heating      | <input type="checkbox"/> Other (specify): _____ |                                    |

**Author Name:** Neil Butterfield

**Author Company:** Butterfield Bathrooms

**Site Address:** 1 Gilmore Place, Burnside

**Description of building work:** Bathrooms and ensuite renovations

**Owners Details:** Jenny Dickinson

**Scope of work covered by statement:** Building Work

**System/Product used (if applicable):** N/A

I (constructor) Neil Butterfield have been engaged by Butterfield Bathrooms (applicant, designer, main contractor to construct: N/A)  part  all

As Specified in the attached particulars of Building Consent Number: N/A and its attached conditions I am satisfied on reasonable grounds that the building work specified above has been completed to the extent required by that Building Consent with the NZ Building Code.

NZBC clauses:  
*[select as applicable]*

- |  |  |                             |                             |                             |                             |                              |                              |                              |                              |                              |                              |
|--|--|-----------------------------|-----------------------------|-----------------------------|-----------------------------|------------------------------|------------------------------|------------------------------|------------------------------|------------------------------|------------------------------|
| <input checked="" type="checkbox"/> B1 | <input checked="" type="checkbox"/> B2 | <input type="checkbox"/> C1 | <input type="checkbox"/> C2 | <input type="checkbox"/> C3 | <input type="checkbox"/> C4 | <input type="checkbox"/> C5  | <input type="checkbox"/> C6  | <input type="checkbox"/> D1  | <input type="checkbox"/> D2  | <input type="checkbox"/> E1  | <input type="checkbox"/> E2  |
| <input type="checkbox"/> E3            | <input type="checkbox"/> F1            | <input type="checkbox"/> F2 | <input type="checkbox"/> F3 | <input type="checkbox"/> F4 | <input type="checkbox"/> F5 | <input type="checkbox"/> F6  | <input type="checkbox"/> F7  | <input type="checkbox"/> F8  | <input type="checkbox"/> G1  | <input type="checkbox"/> G2  | <input type="checkbox"/> G3  |
| <input type="checkbox"/> G4            | <input type="checkbox"/> G5            | <input type="checkbox"/> G6 | <input type="checkbox"/> G7 | <input type="checkbox"/> G8 | <input type="checkbox"/> G9 | <input type="checkbox"/> G10 | <input type="checkbox"/> G11 | <input type="checkbox"/> G12 | <input type="checkbox"/> G13 | <input type="checkbox"/> G14 | <input type="checkbox"/> G15 |
| <input type="checkbox"/> H1            |  |                             |                             |                             |                             |                              |                              |                              |                              |                              |                              |

I understand that this Producer Statement, if accepted, may be relied on by the Council for the purpose of establishing compliance with the Building Consent.

**Registration No:**

BP106472

**Qualifications/Experience:**

40 years in residential building.

**Address:**

223a Annex Road, Middleton, 2023

**Mobile:**

027 432 7906

**Email:**

[neil@butterfield.co.nz](mailto:neil@butterfield.co.nz)

**Signature:**

A handwritten signature in black ink that reads "Neil Butterfield". The signature is written in a cursive, flowing style.

**Date:**

07/04/2026



Consenting & Compliance Group

# Producer statement construction (PS3)

All sections of this PS3 must be completed

### Tick applicable Contractor for:

Tick applicable Contractor for:

- |   |   |  |                                    |
|---|---|--|------------------------------------|
| <input type="checkbox"/> Building             | <input type="checkbox"/> Emergency Lighting | <input type="checkbox"/> Cladding                    | <input type="checkbox"/> Escalator |
| <input type="checkbox"/> Waterproof Membranes | <input type="checkbox"/> Drainlayer         | <input type="checkbox"/> Fire Alarm                  | <input type="checkbox"/> Lift      |
| <input type="checkbox"/> Mechanical (HVAC)    | <input type="checkbox"/> Solar Heating      | <input checked="" type="checkbox"/> Other (specify): | <u>Plumbing</u>                    |

**Author Name:** Richard Johnson

**Author Company:** RJ Plumbing

**Site Address:** 1 Gilmore Place, Burnside

**Description of building work:** Bathroom Renovation

**Owners Details:** Jenny Dickinson

**Scope of work covered by statement:** Plumbing

**System/Product used (if applicable):** N/A

I (constructor) Richard Johnson have been engaged by Butterfield Bathrooms (applicant, designer, main contractor to construct: N/A)  part  all

As Specified in the attached particulars of Building Consent Number: N/A and its attached conditions I am satisfied on reasonable grounds that the building work specified above has been completed to the extent required by that Building Consent with the NZ Building Code.

NZBC clauses:  
*[select as applicable]*

- |                             |                             |                             |                             |                             |                             |                              |                              |   |   |                              |                              |
|-----------------------------|-----------------------------|-----------------------------|-----------------------------|-----------------------------|-----------------------------|------------------------------|------------------------------|---|---|------------------------------|------------------------------|
| <input type="checkbox"/> B1 | <input type="checkbox"/> B2 | <input type="checkbox"/> C1 | <input type="checkbox"/> C2 | <input type="checkbox"/> C3 | <input type="checkbox"/> C4 | <input type="checkbox"/> C5  | <input type="checkbox"/> C6  | <input type="checkbox"/> D1             | <input type="checkbox"/> D2             | <input type="checkbox"/> E1  | <input type="checkbox"/> E2  |
| <input type="checkbox"/> E3 | <input type="checkbox"/> F1 | <input type="checkbox"/> F2 | <input type="checkbox"/> F3 | <input type="checkbox"/> F4 | <input type="checkbox"/> F5 | <input type="checkbox"/> F6  | <input type="checkbox"/> F7  | <input type="checkbox"/> F8             | <input type="checkbox"/> G1             | <input type="checkbox"/> G2  | <input type="checkbox"/> G3  |
| <input type="checkbox"/> G4 | <input type="checkbox"/> G5 | <input type="checkbox"/> G6 | <input type="checkbox"/> G7 | <input type="checkbox"/> G8 | <input type="checkbox"/> G9 | <input type="checkbox"/> G10 | <input type="checkbox"/> G11 | <input checked="" type="checkbox"/> G12 | <input checked="" type="checkbox"/> G13 | <input type="checkbox"/> G14 | <input type="checkbox"/> G15 |
| <input type="checkbox"/> H1 |                             |                             |                             |                             |                             |                              |                              |   |   |                              |                              |

I understand that this Producer Statement, if accepted, may be relied on by the Council for the purpose of establishing compliance with the Building Consent.

**Registration No:**

21775

**Qualifications/Experience:**

Certified Plumber

**Address:**

143 Tancreds Road, 7672

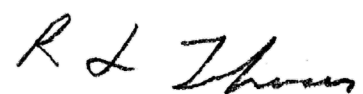
**Mobile:**

027 410 0292

**Email:**

richardjplumbing@gmail.com

**Signature:**

A handwritten signature in black ink that reads "R L Thomas". The letters are cursive and fluidly connected.

**Date:**

07/04/2026



Consenting & Compliance Group

# Producer statement construction (PS3)

All sections of this PS3 must be completed

### Tick applicable Contractor for:

Tick applicable Contractor for:

- |  |   |   |                                    |
|--|---|---|------------------------------------|
| <input type="checkbox"/> Building                        | <input type="checkbox"/> Emergency Lighting | <input type="checkbox"/> Cladding               | <input type="checkbox"/> Escalator |
| <input checked="" type="checkbox"/> Waterproof Membranes | <input type="checkbox"/> Drainlayer         | <input type="checkbox"/> Fire Alarm             | <input type="checkbox"/> Lift      |
| <input type="checkbox"/> Mechanical (HVAC)               | <input type="checkbox"/> Solar Heating      | <input type="checkbox"/> Other (specify): _____ |                                    |

**Author Name:** Jason Crossman

**Author Company:** Butterfield Bathrooms

**Site Address:** 1 Gilmore Place, Burnside

**Description of building work:** Bathroom Renovation

**Owners Details:** Jenny Dickinson

**Scope of work covered by statement:** Waterproofing

**System/Product used (if applicable):** Mapei

I (constructor) Jasson Crossman have been engaged by Butterfield Bathrooms (applicant, designer, main contractor to construct: N/A)  part  all

As Specified in the attached particulars of Building Consent Number: N/A and its attached conditions I am satisfied on reasonable grounds that the building work specified above has been completed to the extent required by that Building Consent with the NZ Building Code.

NZBC clauses:  
*[select as applicable]*

- |  |                             |                             |                             |                             |                             |                              |                              |                              |                              |                              |                              |
|--|-----------------------------|-----------------------------|-----------------------------|-----------------------------|-----------------------------|------------------------------|------------------------------|------------------------------|------------------------------|------------------------------|------------------------------|
| <input type="checkbox"/> B1            | <input type="checkbox"/> B2 | <input type="checkbox"/> C1 | <input type="checkbox"/> C2 | <input type="checkbox"/> C3 | <input type="checkbox"/> C4 | <input type="checkbox"/> C5  | <input type="checkbox"/> C6  | <input type="checkbox"/> D1  | <input type="checkbox"/> D2  | <input type="checkbox"/> E1  | <input type="checkbox"/> E2  |
| <input checked="" type="checkbox"/> E3 | <input type="checkbox"/> F1 | <input type="checkbox"/> F2 | <input type="checkbox"/> F3 | <input type="checkbox"/> F4 | <input type="checkbox"/> F5 | <input type="checkbox"/> F6  | <input type="checkbox"/> F7  | <input type="checkbox"/> F8  | <input type="checkbox"/> G1  | <input type="checkbox"/> G2  | <input type="checkbox"/> G3  |
| <input type="checkbox"/> G4            | <input type="checkbox"/> G5 | <input type="checkbox"/> G6 | <input type="checkbox"/> G7 | <input type="checkbox"/> G8 | <input type="checkbox"/> G9 | <input type="checkbox"/> G10 | <input type="checkbox"/> G11 | <input type="checkbox"/> G12 | <input type="checkbox"/> G13 | <input type="checkbox"/> G14 | <input type="checkbox"/> G15 |
| <input type="checkbox"/> H1            |                             |                             |                             |                             |                             |                              |                              |                              |                              |                              |                              |

I understand that this Producer Statement, if accepted, may be relied on by the Council for the purpose of establishing compliance with the Building Consent.

**Registration No:**

Mapei Applicator 3266

**Qualifications/Experience:**

20+ years' experience as a tiler and water proofer

**Address:**

223a Annex Road, Middleton, 2023

**Mobile:**

027 351 1606

**Email:**

info@buttetfield.co.nz

**Signature:**A handwritten signature in black ink that reads "Jason Crossan". The signature is written in a cursive, flowing style.**Date:**

07/04/2026