

MycoComposite 584

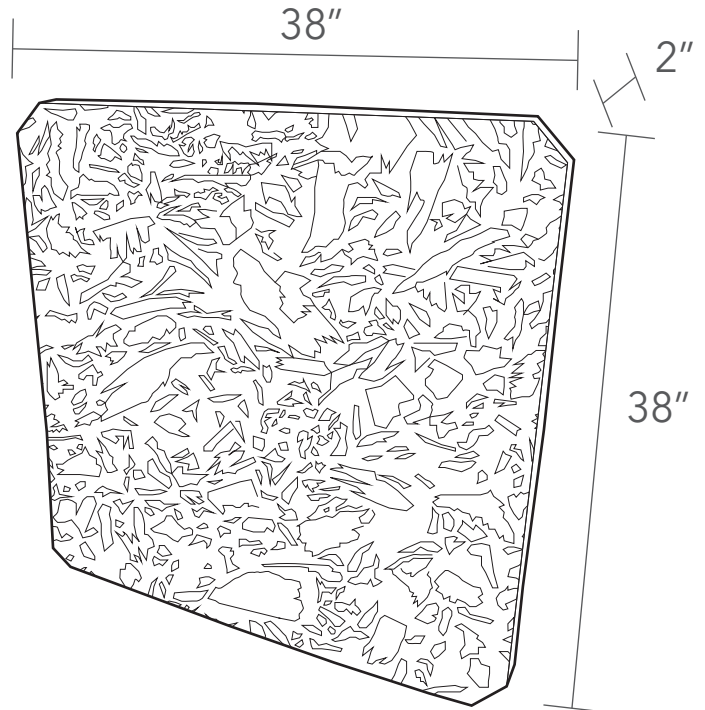
Aspen Shavings Mycelium Panel

Description

The MycoComposite panels are the largest mycelium component panel available on the global market. MycoComposite 584 utilizes mycelium as the binding agent for the Aspen Shavings substrate. The panels are pre-cut with surfaces ready for fabrication.

Ingredients

Aspen Shavings	95%
Mycelium	5%



Material Properties

Density	Tension	Compression
8.5 lb/ft ³ 140 kg/m ³	4-6 psi 28-40 kPa	2-4 psi 15-28 kPa
Noise Reduction Coefficient	R-Value	Fire Rating
0.9	3.1 °Fft ² /h/BTU	Pending
Modulus of Elasticity	Flexural Strength	Flexural Modulus
40-70 psi 280-400 kPa	11-16 psi 76-110 kPa	800-1400 psi 5500-9700 kPa

Potential Applications

Acoustic Tiles
Field Preservation
Stage Set Design
Garden Tiles
Horsestall Mat
Acoustic Screen

Suggested Finishes

Water-based Polyurethane
Beeswax
Milk Paint

