

MycoComposite 029

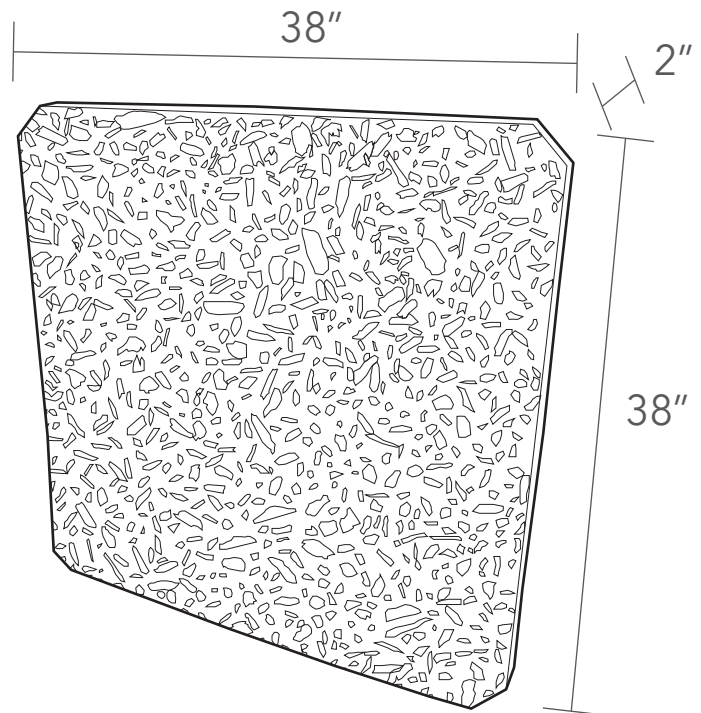
Hemp Mycelium Panel

Description

The MycoComposite panels are the largest mycelium component panel available on the global market. MycoComposite 029 utilizes mycelium as the binding agent for the Hemp substrate. The panels are pre-cut with surfaces ready for fabrication.

Ingredients

Hemp	95%
Mycelium	5%



Material Properties

Density	Tension	Compression
7 lb/ft ³ 110 kg/m ³	3-4 psi 20-28 kPa	10-22 psi 70-150 kPa
Noise Reduction Coefficient	R-Value	Fire Rating
0.6	3.5 °Fft ² h/BTU	Class A
Modulus of Elasticity	Flexural Strength	Flexural Modulus
130-250 psi 900-1700 kPa	15-30 psi 100-200 kPa	1100-2000 psi 7200-13000 kPa

Potential Applications

- Model Making
- Packaging
- Shipment Padding
- Interior Design
- Vertical Green Wall
- Raised Garden Bed

Suggested Finishes

- Water-based Polyurethane
- Beeswax
- Milk Paint

