



3576 3569 3521 3515 3570 3523 3561
3524 3565 3525 3543 3545 3547 3567

Adult and Youth Connections Work Centers with Glides Assembly Instructions

PARTS LIST

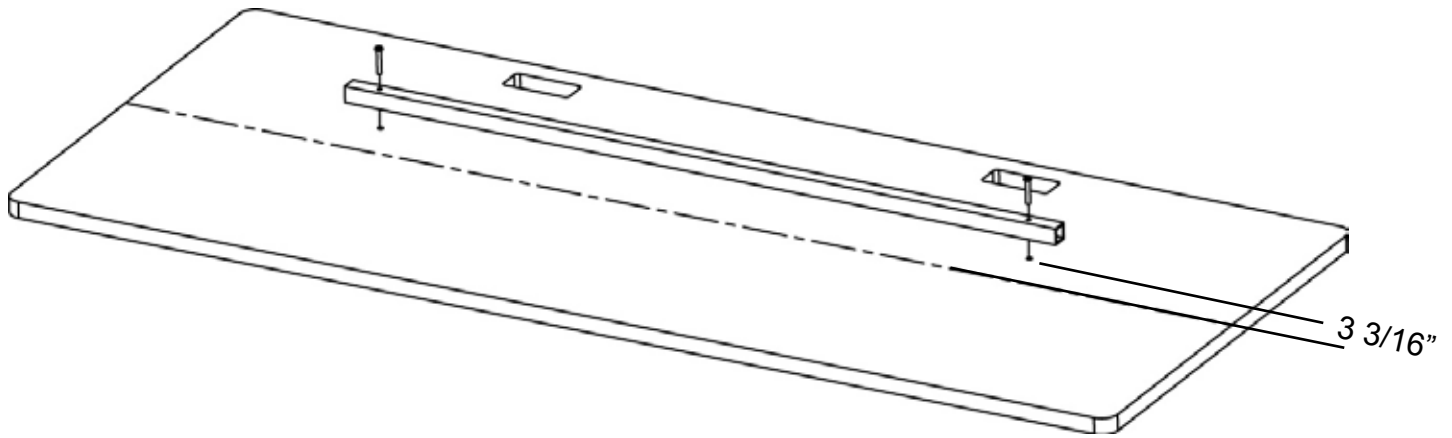
Qty	Part#	Description
1	SA2346	30 x 30 Wood Top - 3576
	SA1644	36 x 24 Wood Top - 3569
	SA1646	36 x 30 Wood Top - 3521 & 3543
	SA2091	42 x 30 Wood Top - 3515
	SA1645	48 x 24 Wood Top - 3570
	SA1647	48 x 30 Wood Top - 3523 & 3545
	SA2086	60 x 24 Wood Top - 3561
	SA1648	60 x 30 Wood Top - 3524 & 3547
	SA2085	72 x 24 Wood Top - 3565
	SA1715	72 x 30 Wood Top - 3525 & 3567
2	022-1593	Lower Leg Assembly - 3576, 3521, 3515, 3523, 3524 & 3525
	022-1849	Lower Leg Assembly - 3569, 3570, 3561 & 3565
	022-1739	Lower Leg Assembly - 3543, 3545, 3547 & 3567
1	022-1589	Right Upper Leg Assembly - 3576, 3569, 3521, 3515, 3570 3523, 3561, 3524, 3565 & 3525
	022-1735	Right Upper Leg Assembly - 3543, 3545, 3547 & 3567
1	022-1590	Left Upper Leg Assembly - 3576, 3569, 3521, 3515, 3570 3523, 3561, 3524, 3565 & 3525
	022-1736	Left Upper Leg Assembly - 3543, 3545, 3547 & 3567
1	010-3471	Modesty Panel - 3576
	010-2321	Modesty Panel - 3569, 3521 & 3543
	010-3080	Modesty Panel - 3515
	010-2324	Modesty Panel - 3570, 3523 & 3545
	010-2327	Modesty Panel - 3561, 3524 & 3547
	010-2706	Modesty Panel - 3565, 3525 & 3567
1	010-3472	Cord Bin - 3576
	010-2322	Cord Bin - 3569
	010-2323	Cord Bin - 3521 & 3543
	010-3082	Cord Bin - 3515
	010-2325	Cord Bin - 3570
	010-2326	Cord Bin - 3523 & 3545
	010-3076	Cord Bin - 3561
	010-2328	Cord Bin - 3524 & 3547
	010-3075	Cord Bin - 3565
	010-2707	Cord Bin - 3525 & 3567
1	017-0519	Support Tube - 3561, 3524, 3547, 3565, 3525 & 3567

HARDWARE LIST

Ref.	Qty	Part#	Description
AA	12	030-0402	10-32 x 5/8" Combo Screws
BB	12	030-0240	1/4" External Lockwashers
CC	4	030-0396	3/8-16 x 1/2" Set Screws
DD	4	030-0325	1/4-20 1/2" Combo Truss Screws
EE	6	030-0168	#8 x 1/2" Wood Screws
FF	2	030-0433	10-32 x 1/2" Knurled Screws
GG	2	030-0465	Retaining Washers
HH	2	030-0354	10-32 x 1 1/2" Button Screws (60 & 72" Models ONLY)
	1	030-0397	Allen Wrench
	4	015-0045	Glides

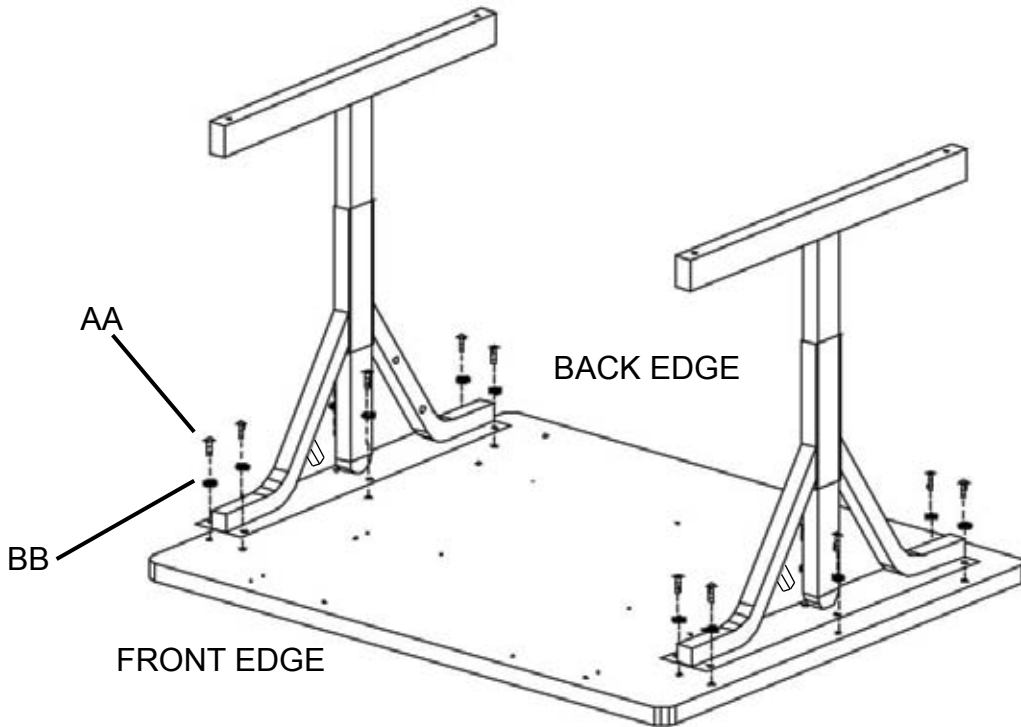
TOOLS REQUIRED

Phillips Screwdriver
Rubber Mallet
Allen Wrench (provided)



STEP 1 - FOR 60" & 72" MODELS ONLY

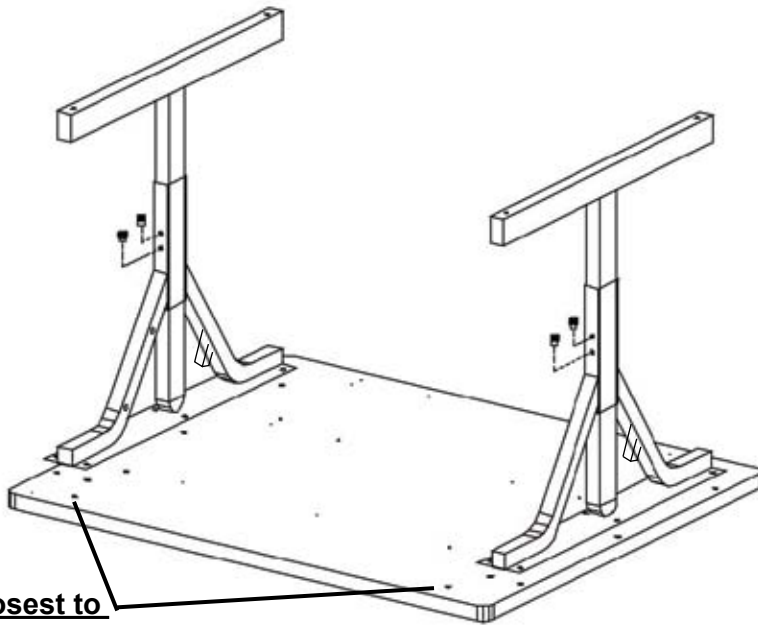
Lay wood top on a carpeted surface with holes facing upward. Attach support tube with screws (HH) as shown. **NOTE:** Mounting holes are about 3 3/16" off the center of the table.



STEP 1

Lay wood top on a carpeted surface with holes facing upward. Position the legs onto wood top with holes facing in and toward back as shown. LOOSELY attach with screws (AA) and washers (BB).

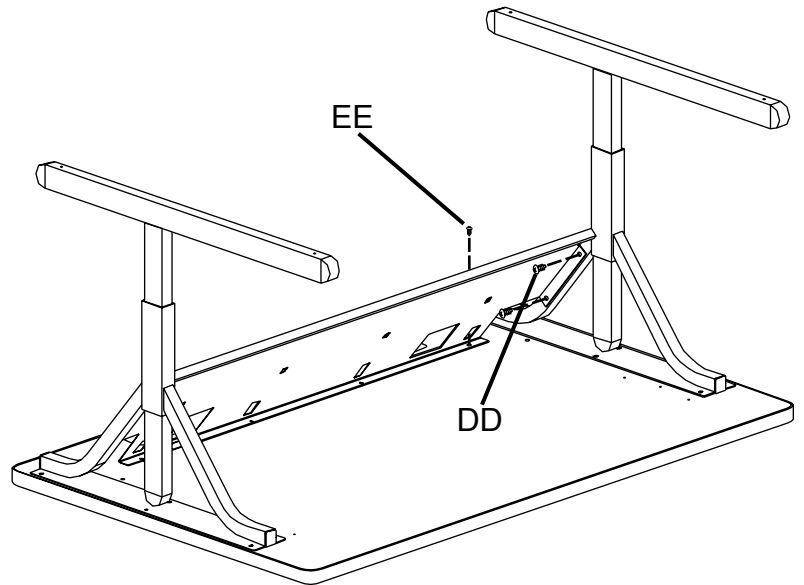
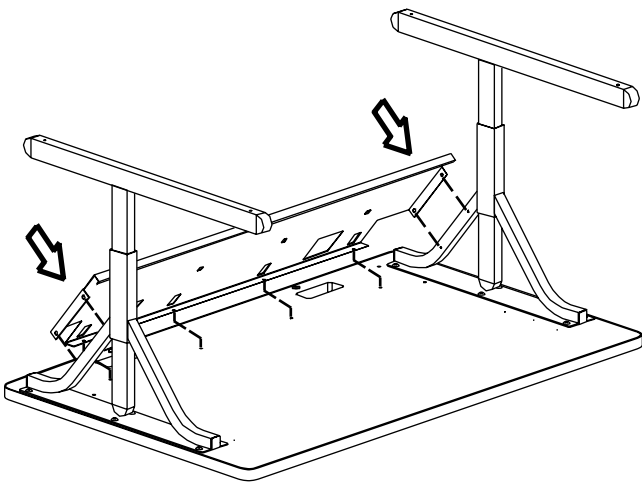




The edge closest to these holes with inserts is the back edge.

STEP 2

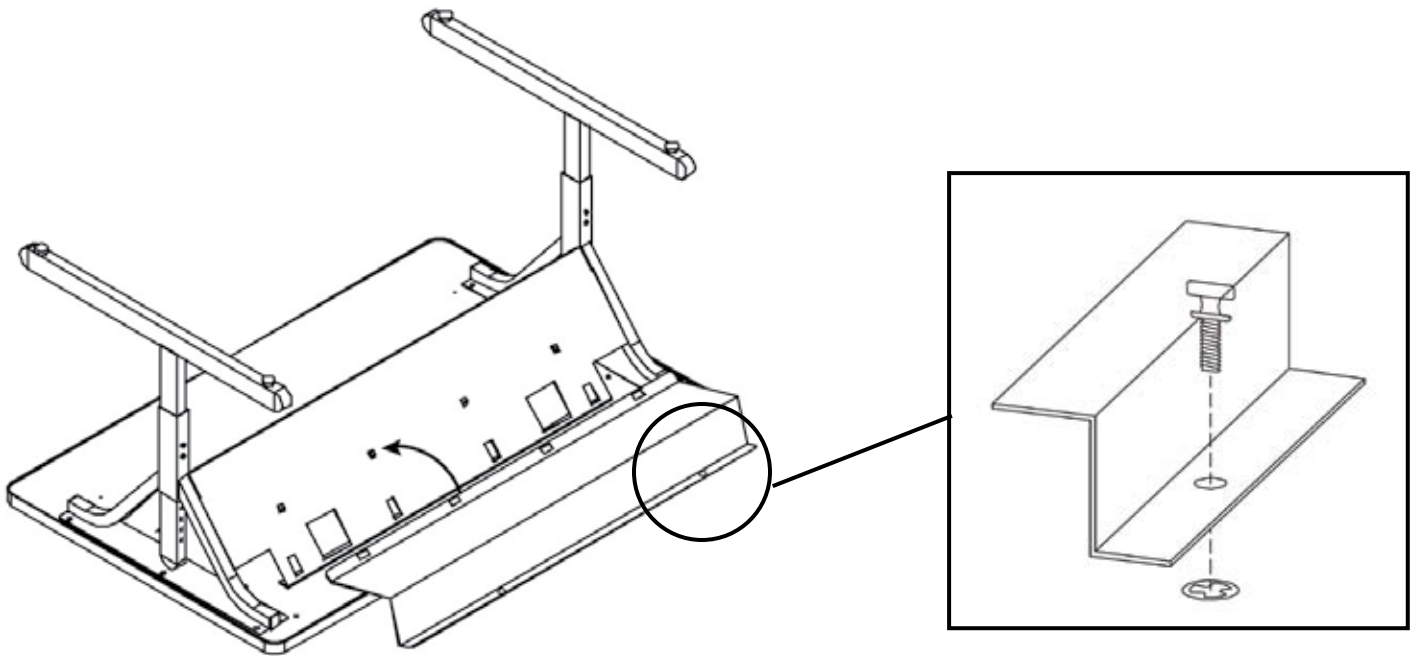
Set desired height and insert screws (CC) into legs and tighten with Allen wrench (provided).



STEP 3

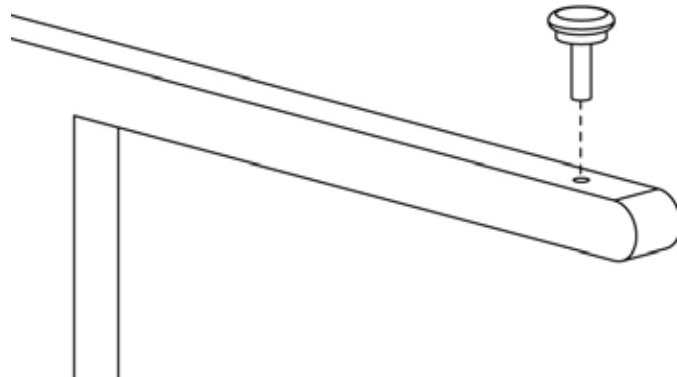
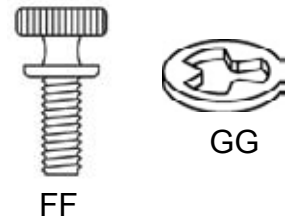
Slide in modesty panel. Tightly secure modesty panel to legs with screws (DD). Attach to wood top using screws (EE). **TIGHTEN ALL HARDWARE AT THIS TIME.** **NOTE:** Any "C" frames for shelves must be assembled prior to attaching the modesty panel.





STEP 3

Hook cord bin onto hooks of modesty panel and attach to worksurface using screws (FF) and washers (GG).



STEP 4

Screw glides into the bottom of the legs. Turn unit over, position and adjust glides to floor.

Bretford
 11000 Seymour Avenue
 Franklin Park, IL 60131
 TEL: 847.678.2545
 800.521.9614
 FAX: 847.678.0852
 800.343.1779

Bretford Ltd.
 2 Etongate
 110 Windsor Road, Slough
 Berkshire SL1 2JA England
 TEL: 011 44 17 5353 9955
 FAX: 011 44 17 5353 9478