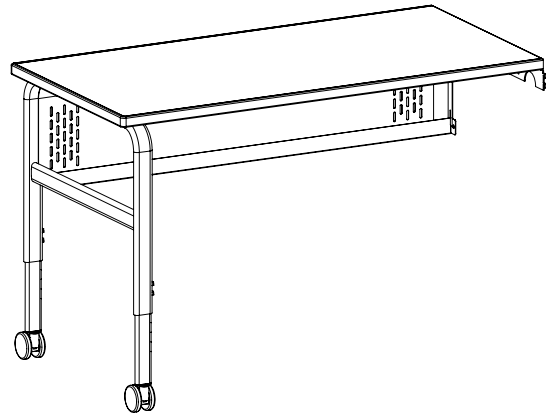
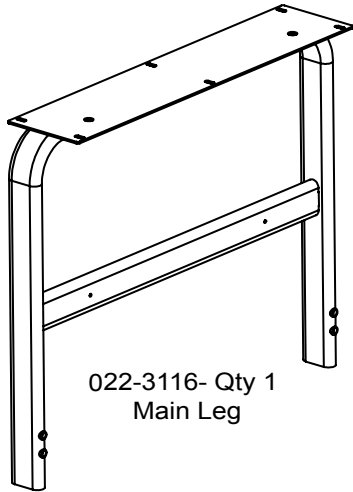


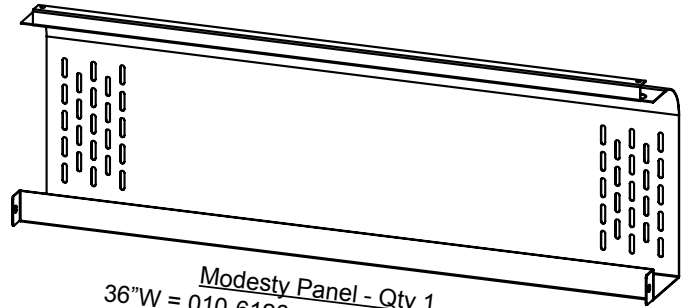
## Shuttle Side Table Assembly Instructions



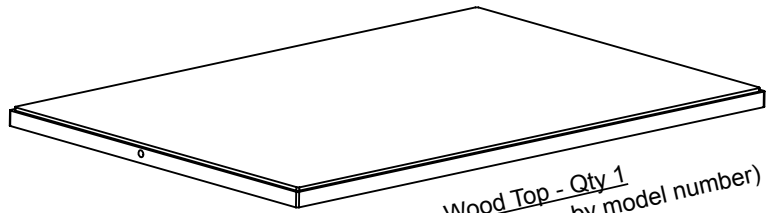
017-1075 - Qty 2  
Lower Leg



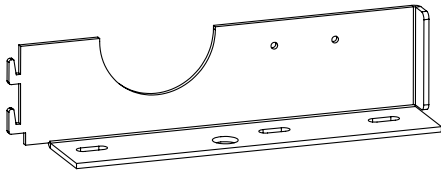
022-3116- Qty 1  
Main Leg



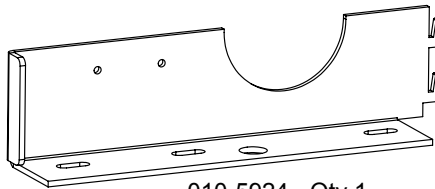
Modesty Panel - Qty 1  
36"W = 010-6126 & 48"W = 010-5888



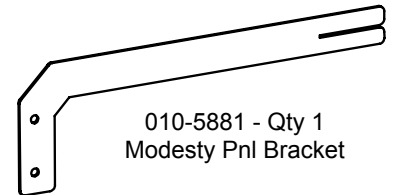
Wood Top - Qty 1  
(Part Number Varies by model number)



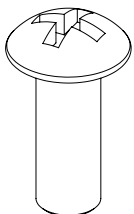
010-5923 - Qty 1  
Bracket



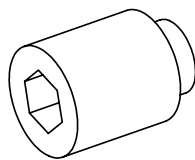
010-5924 - Qty 1  
Bracket



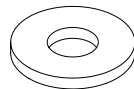
010-5881 - Qty 1  
Modesty Pnl Bracket



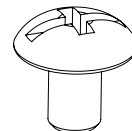
030-0402 - Qty 24  
#10-32 x 5/8" Combo Screw



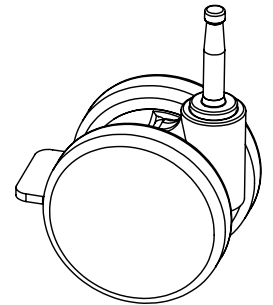
030-0396 - Qty 4  
3/8-16 x 1/2" Socket  
Set Screw



030-0913 - Qty 2  
Flat Washer

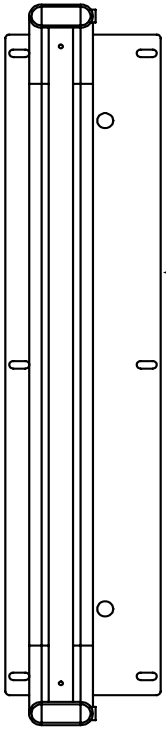


030-1228 - Qty 2  
#8-32 x 1/4" Truss Screw

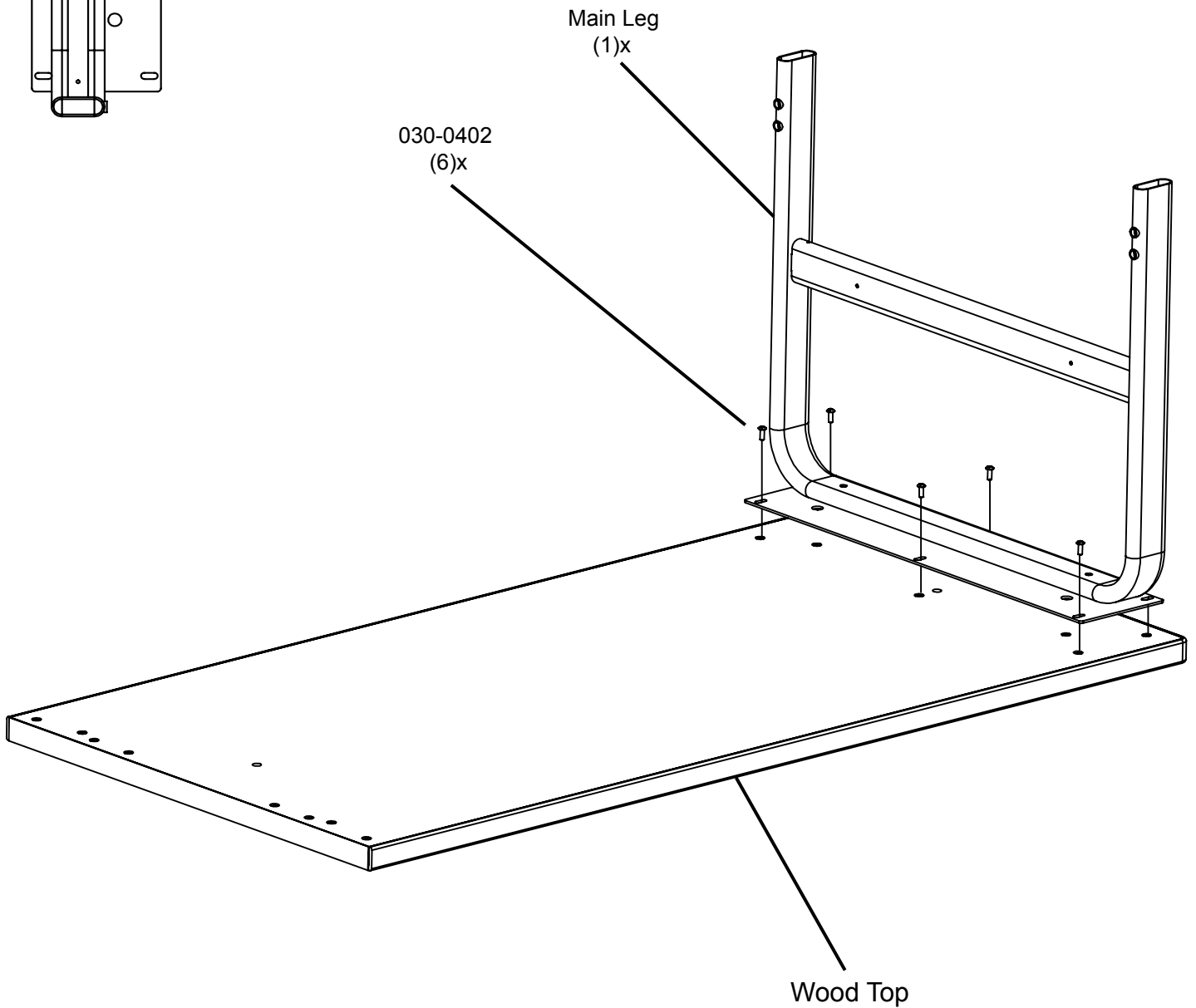


015-0175 - Qty 2  
2 1/2" Stem Caster  
w/Brake

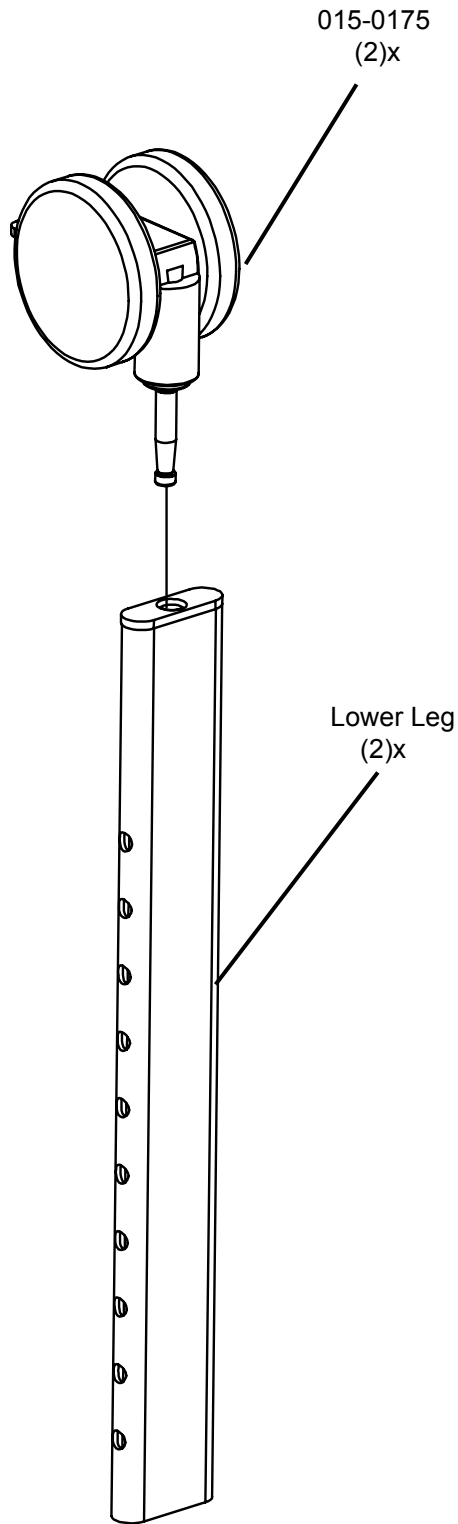
# 1



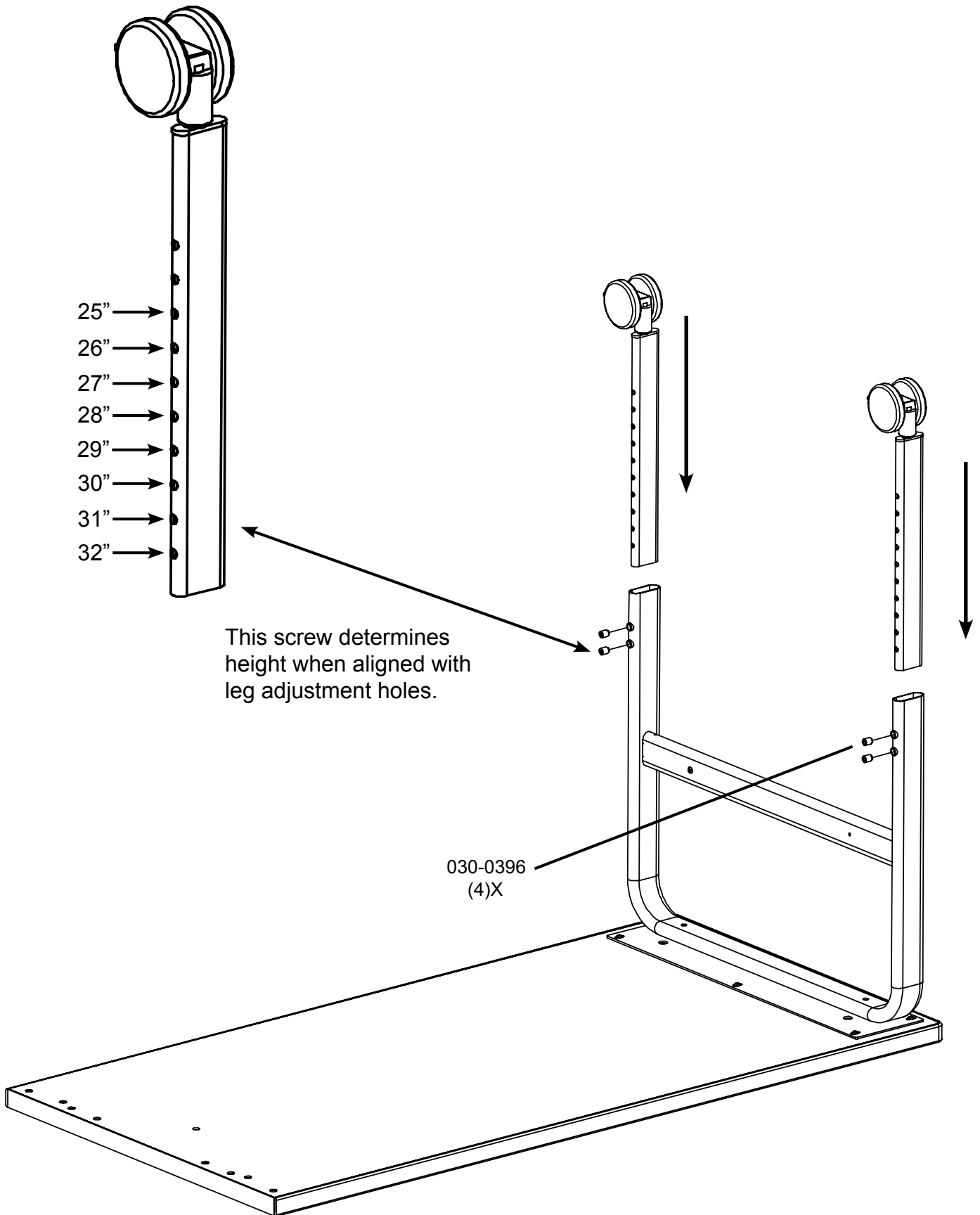
This side of the leg **MUST** always face the interior of the wood top.



# 2

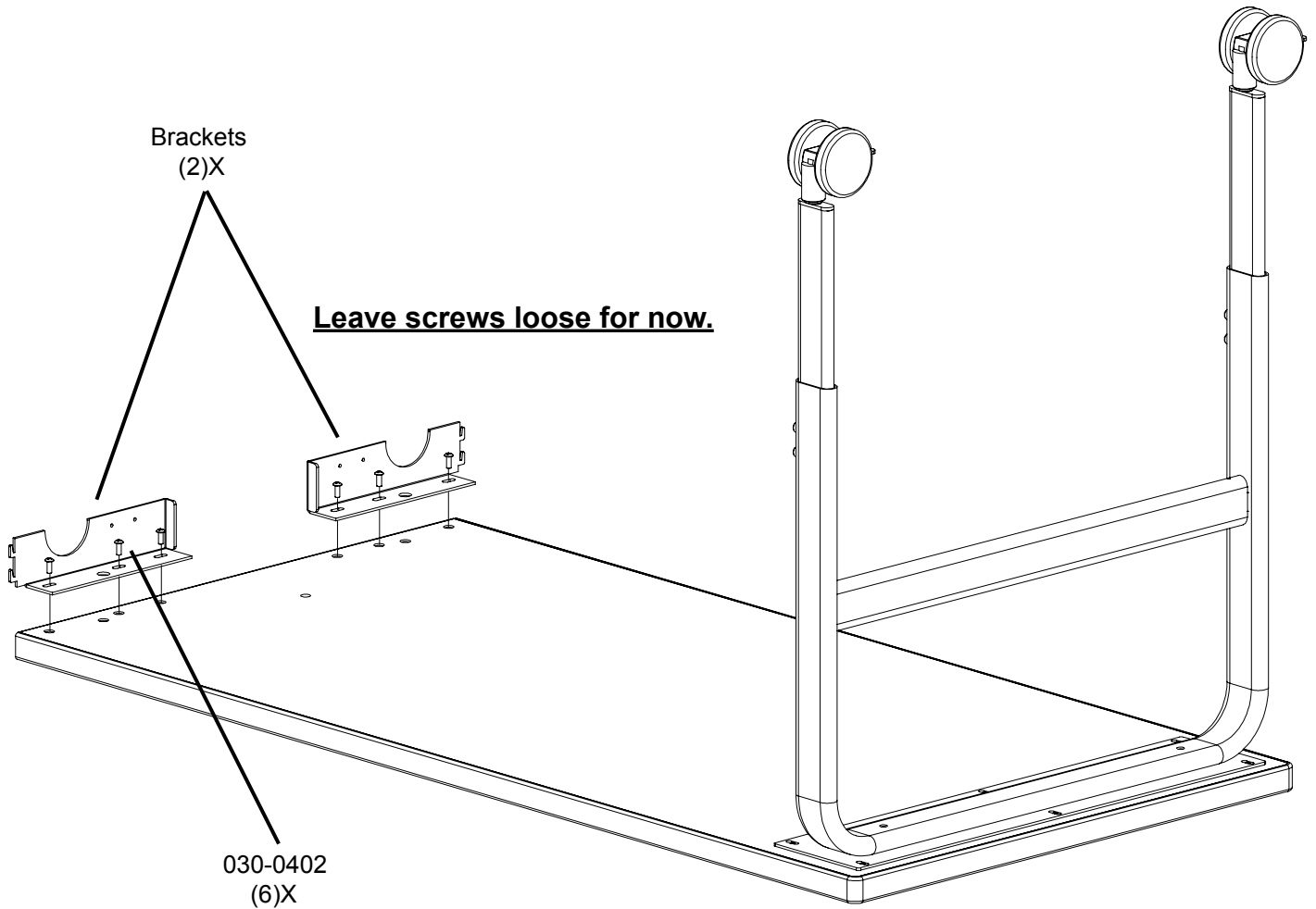
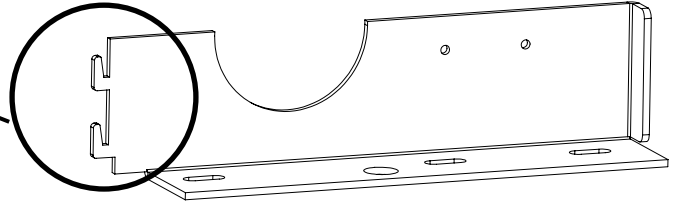


# 3



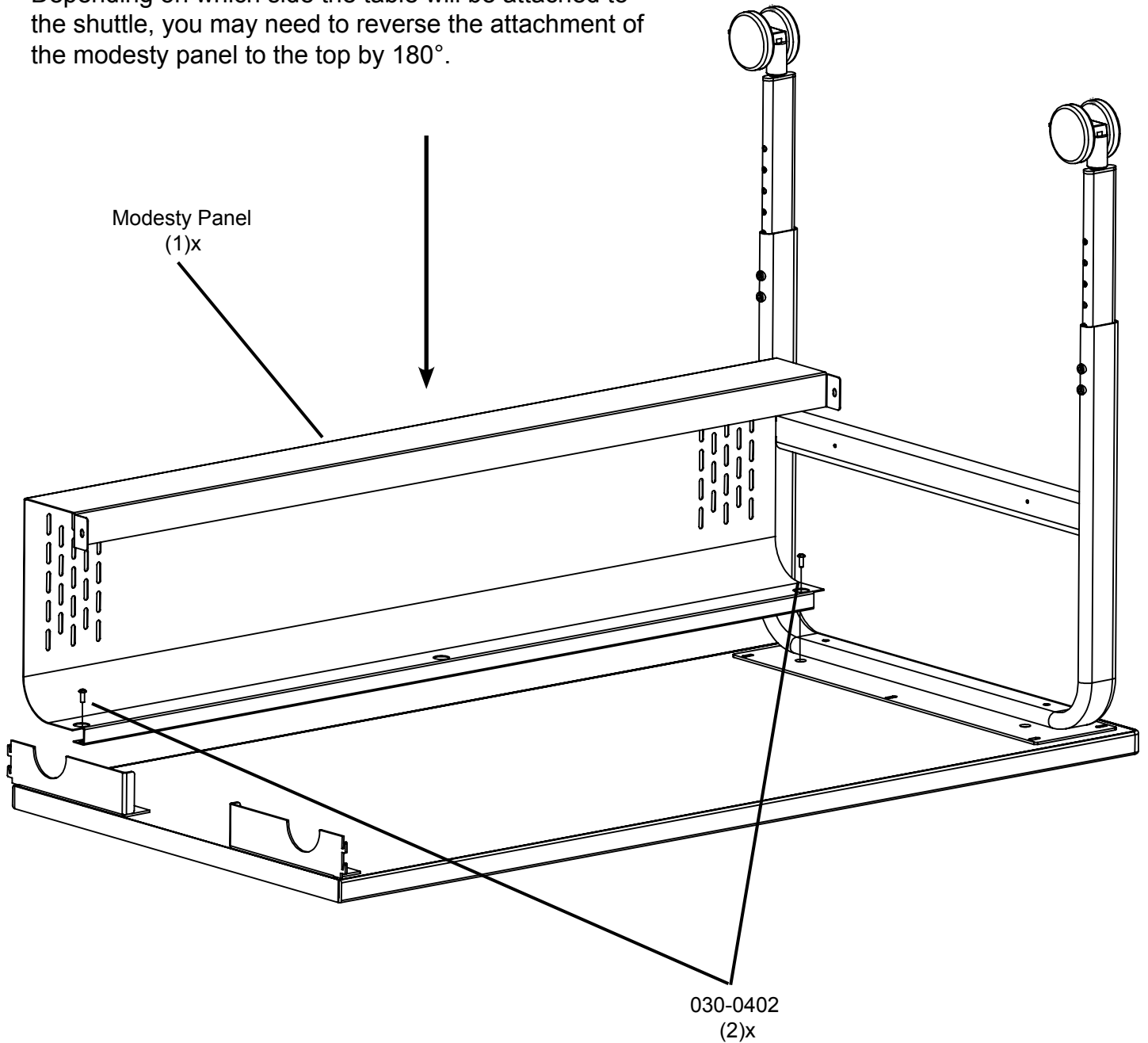
# 4

This side of the bracket **MUST** always face the outer edge of the wood top.

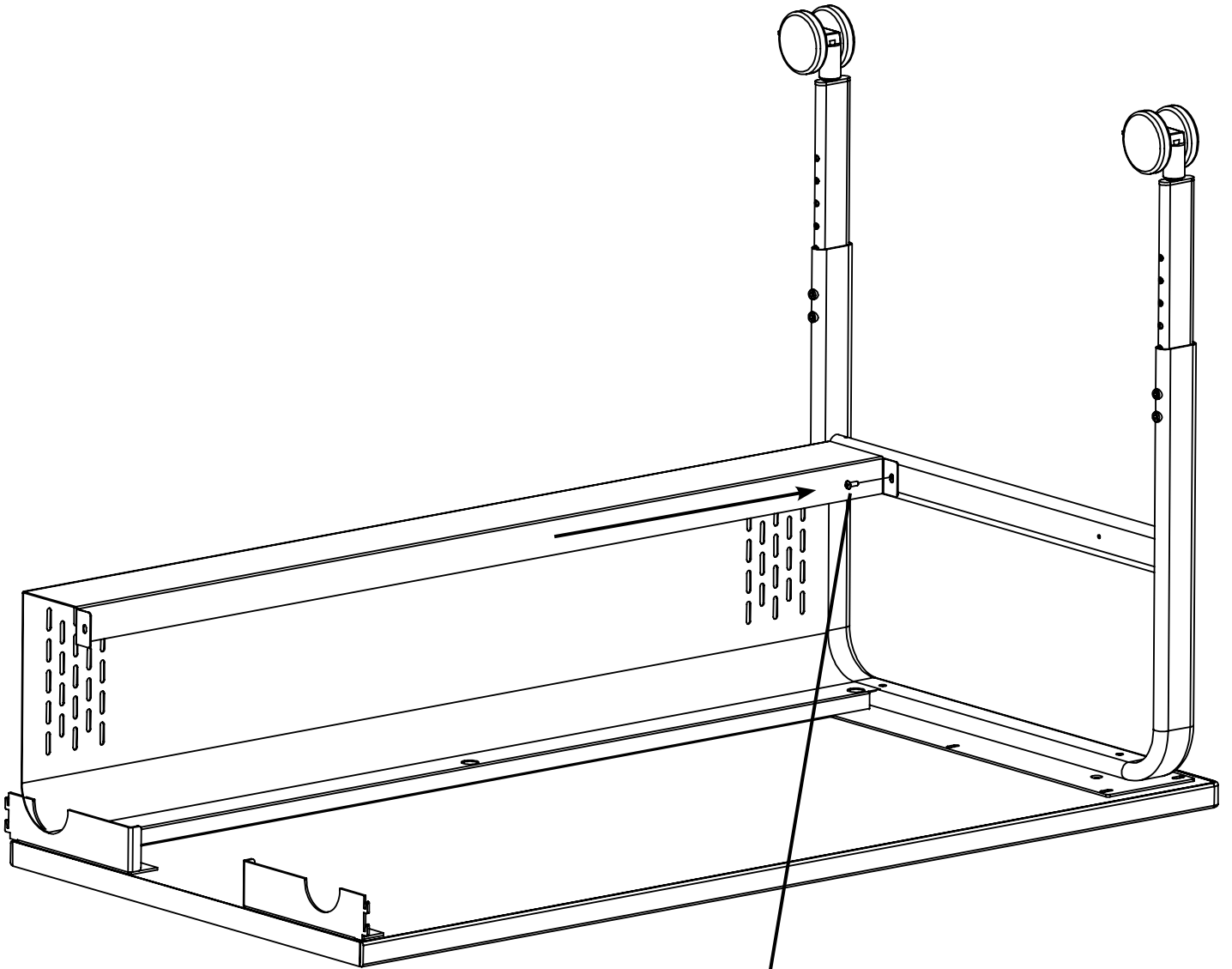


# 5

Depending on which side the table will be attached to the shuttle, you may need to reverse the attachment of the modesty panel to the top by 180°.

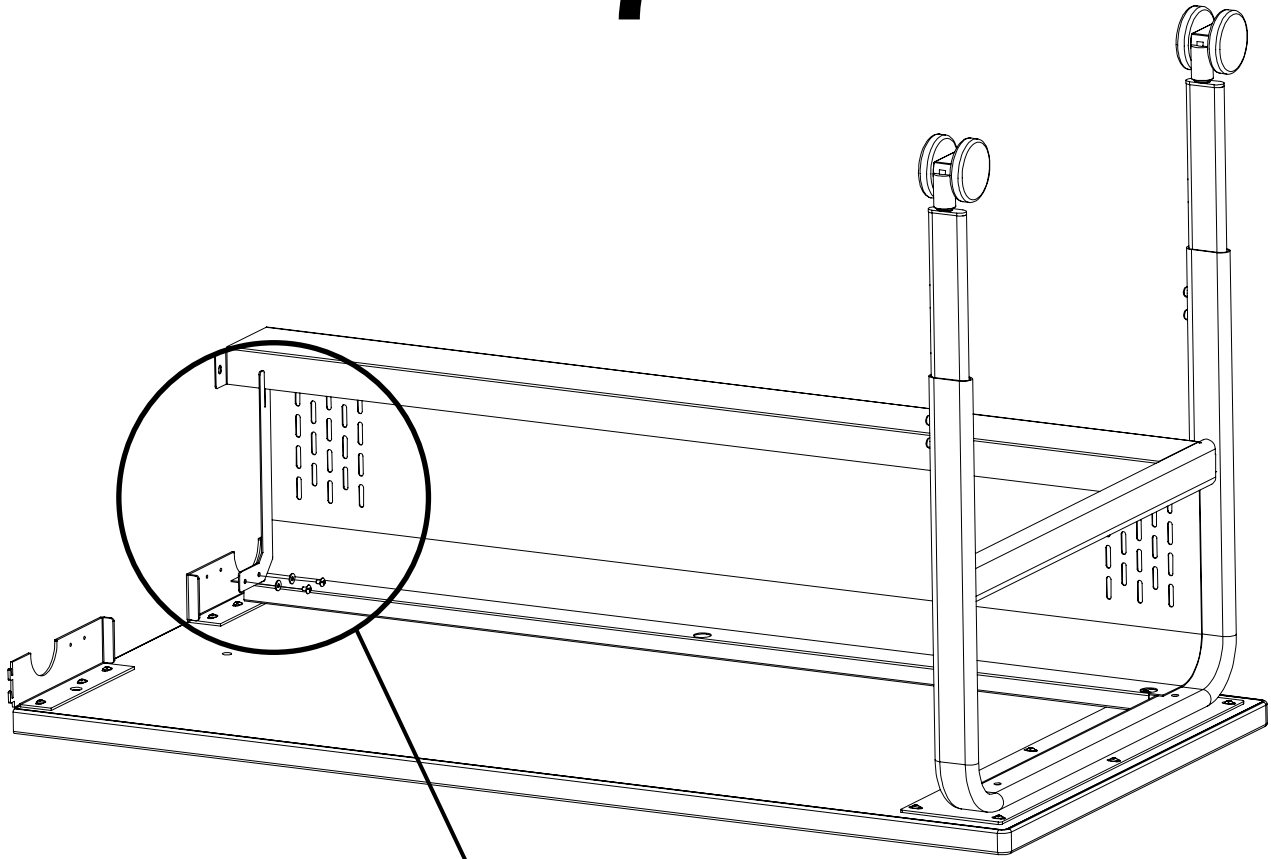


# 6

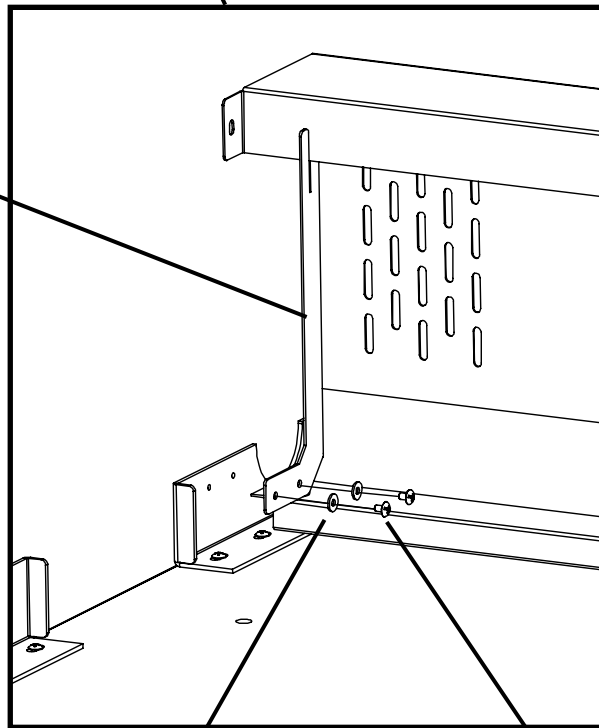


030-0402  
(1)x

# 7



Modesty Panel Bracket  
(1)x



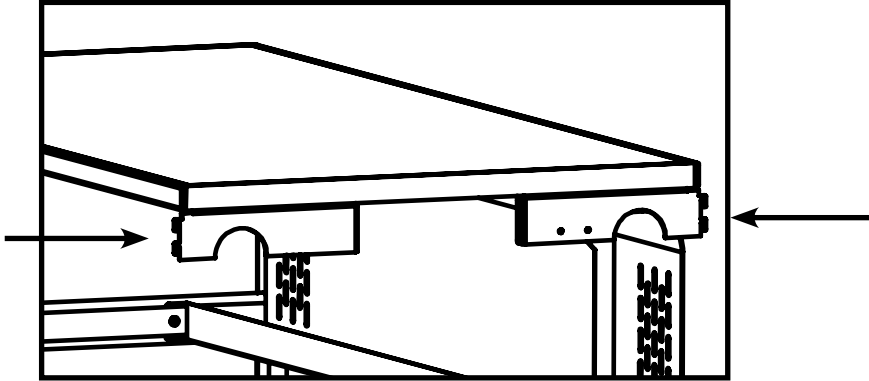
030-0913  
(2)x

030-1228  
(2)x

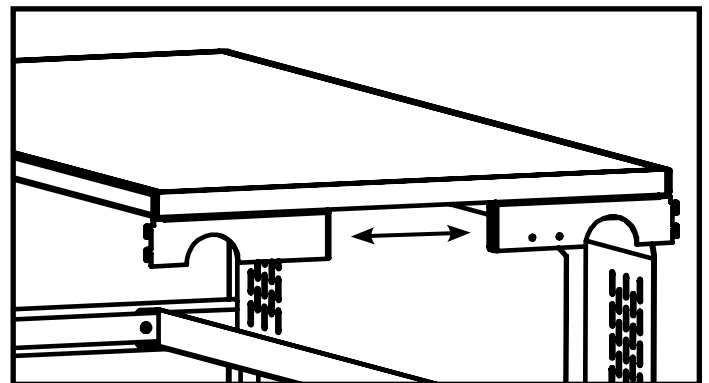
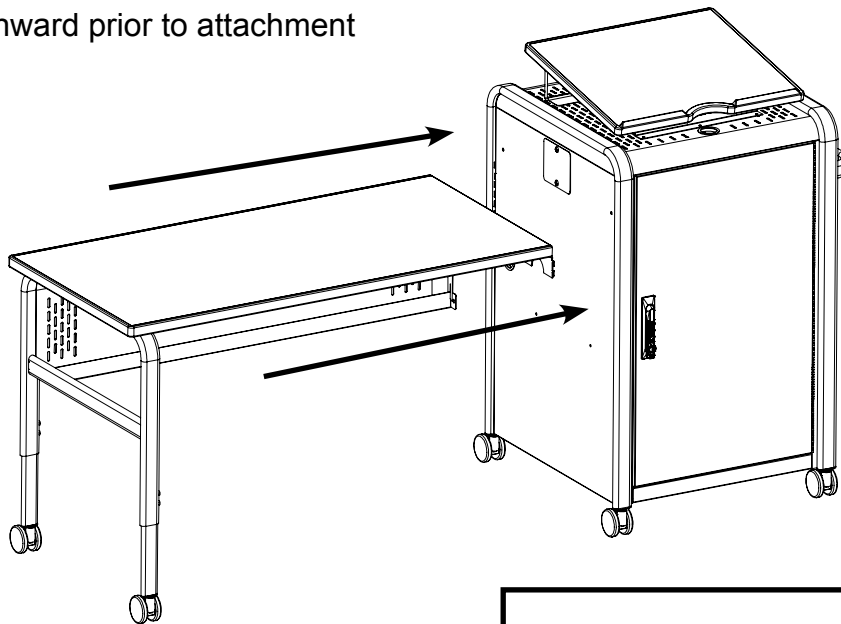


# 8

Push the Z brackets in towards the center of the table. Then align the bracket tabs into the notches in the tube. The tabs will snap into the tubes. Push the brackets into the tubes to lock in place. Make sure top is level and fully tighten the screws in the brackets.



Push brackets inward prior to attachment



Push brackets outward after attachment

Bretford  
11000 Seymour Avenue  
Franklin Park, IL 60131  
TEL: 847.678.2545  
800.521.9614  
FAX: 847.678.0852  
800.343.1779

Bretford Ltd.  
2 Etongate  
110 Wondor Road, Slough  
Berkshire SL1 2JA England  
TEL: 011 44 17 5353 9955  
FAX: 011 44 17 5353 9478