

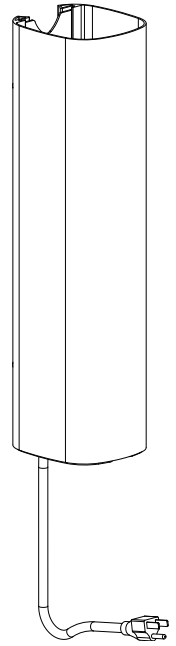


**BRETFORD**

**FPPCB**

**CABLE BIN**

**Assembly Instructions**

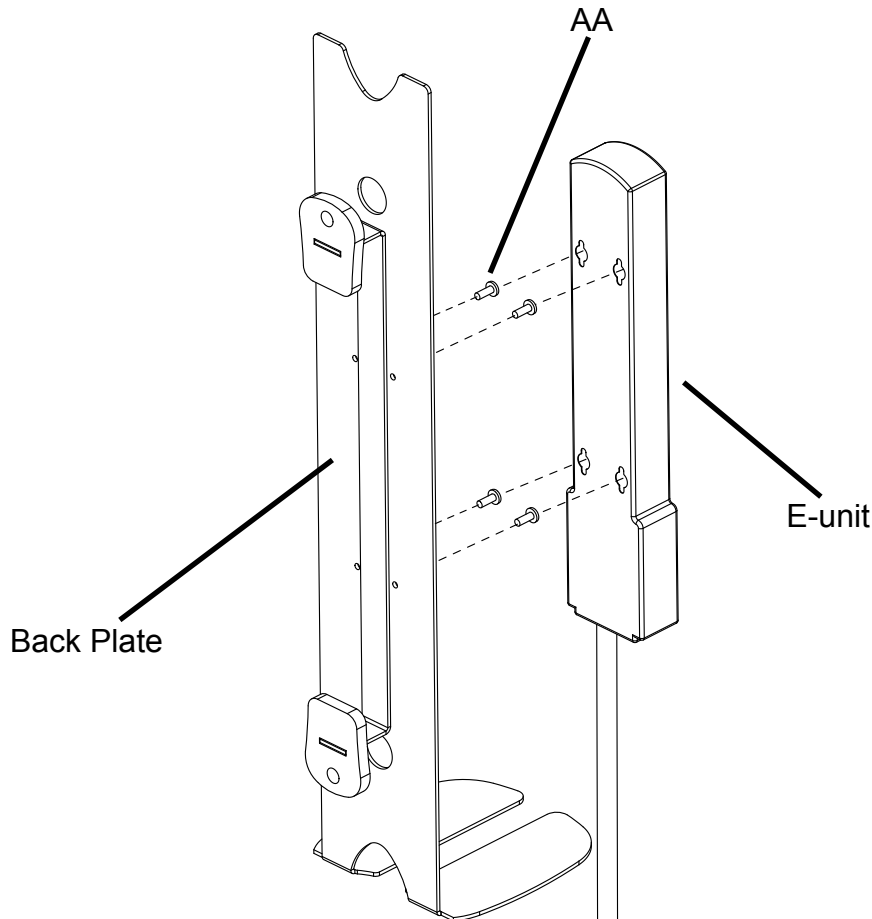


**Parts List**

Qty.	Part No.	Description
1	022-2580	Back Plate
1	FPE	6-Outlet Electrical Unit
1	010-4712	Bin Cover Plate

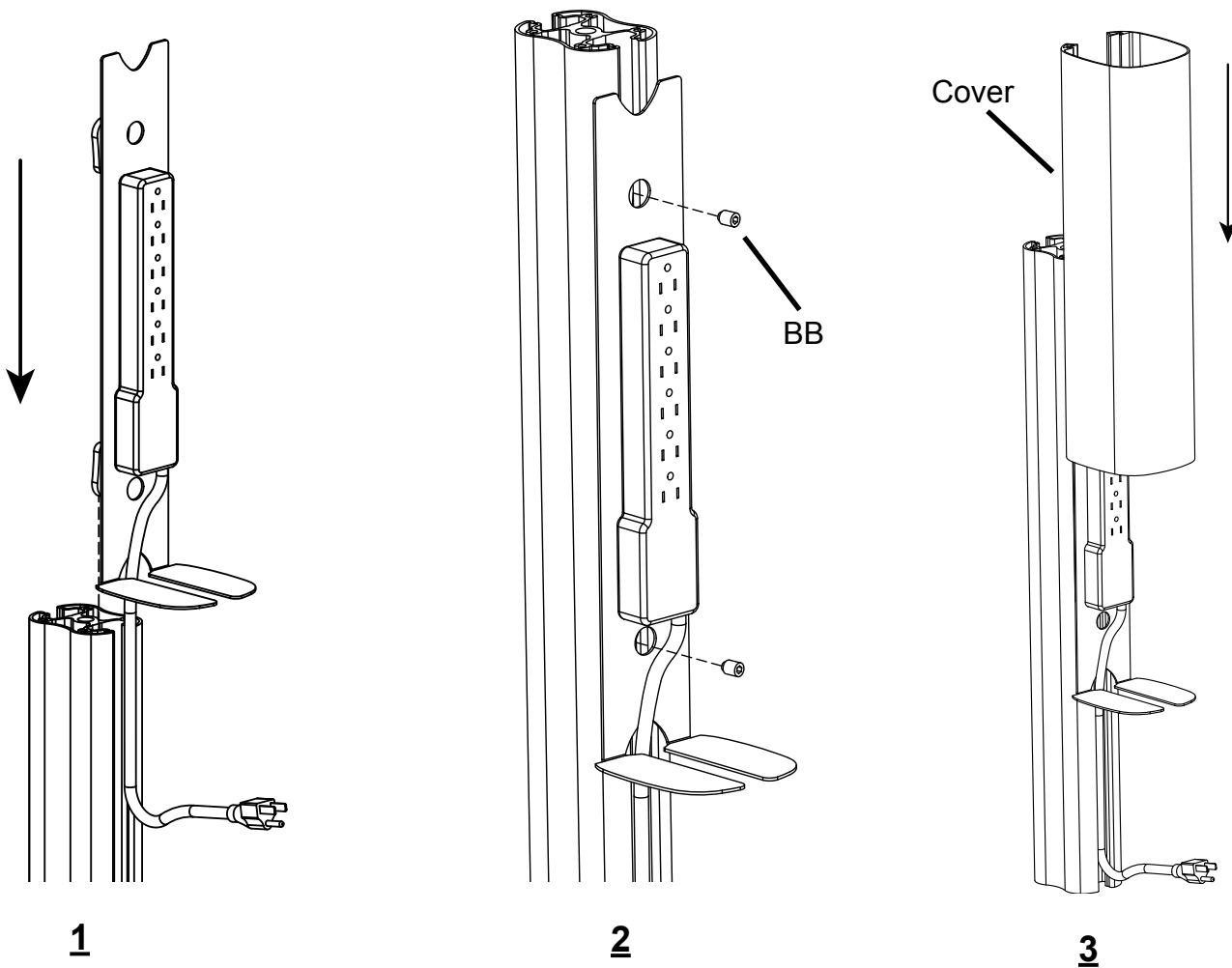
**Hardware List**

Ref.	Qty	Part No.	Description
AA	4	030-0023	#6-32 x 5/8" Round Hd Machine Screws
BB	2	030-0396	3/8-16 x 1/2" Socket Set Screws
	1	030-0397	3/16" Allen Wrench



**STEP 1**

Install screws (AA) into back plate and then slide the e-unit onto the screws.



## STEP 2

- 1) Slide back/e-unit assembly onto your pole.
- 2) Attach in desired location with screws (BB).
- 3) Slide cover plate over back/e-unit assembly.

Bretford  
 11000 Seymour Avenue  
 Franklin Park, IL 60131  
 TEL: 847.678.2545  
 800.521.9614  
 FAX: 847.678.0852  
 800.343.1779

Bretford Ltd.  
 2 Etongate  
 110 Windsor Road, Slough  
 Berkshire SL1 2JA England  
 TEL: 011 44 17 5353 9955  
 FAX: 011 44 17 5353 9478