



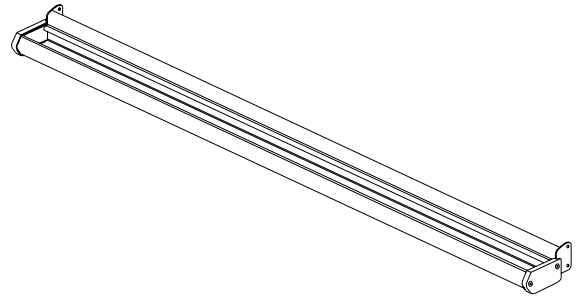
BRETFORD™

HMPN

HERE®

PENCIL TRAY

Assembly Instructions



Parts List

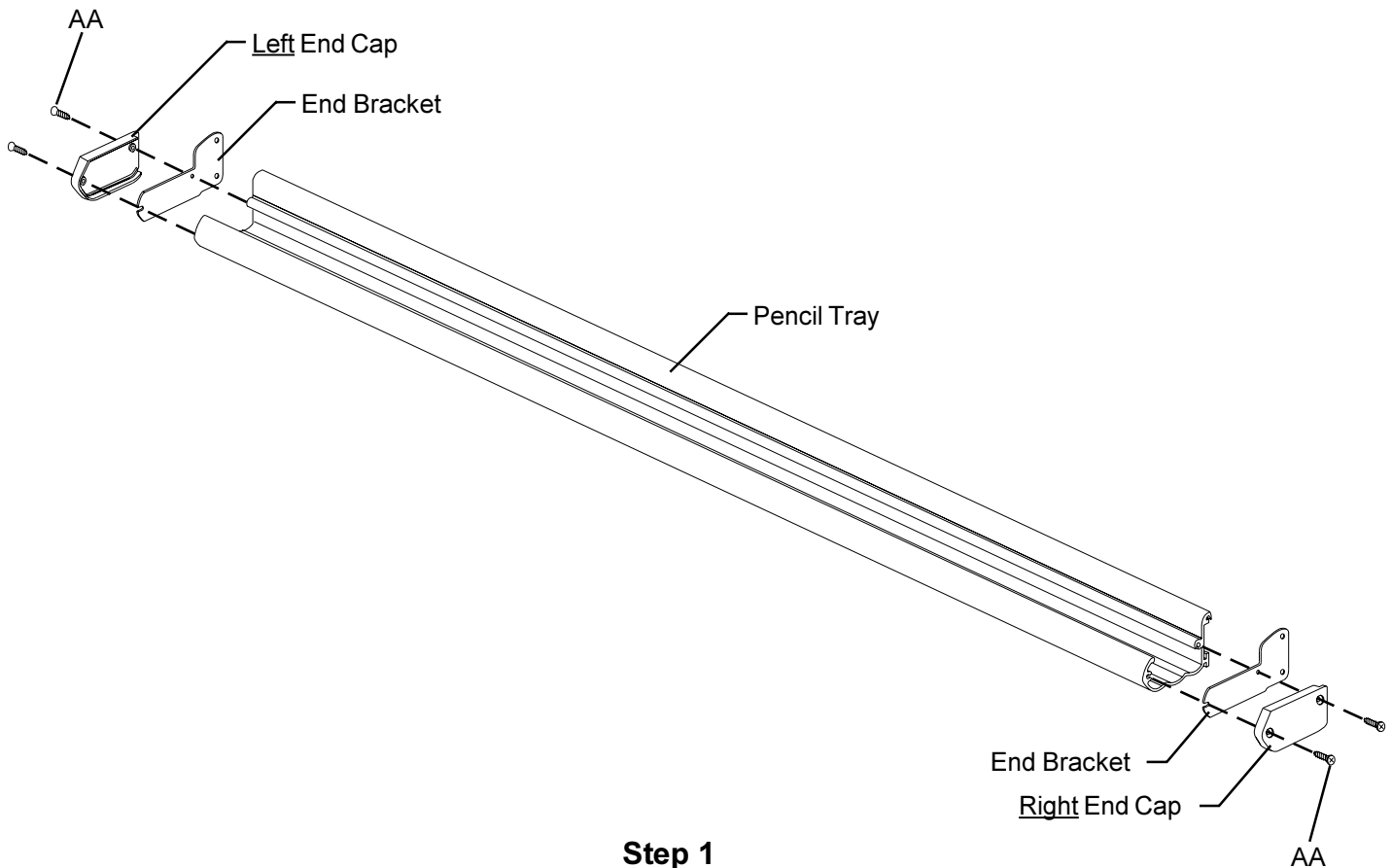
Qty.	Part No.	Description
1	010-3234	Pencil Tray (48)
	010-3235	Pencil Tray (60)
	010-3236	Pencil Tray (72)
2	010-3227	Bracket, End
1	012-0682	End Cap - Left
1	012-0683	End Cap - Right

Hardware List

Qty.	Ref.	Part No.	Description
4	AA	SC1056	#6 x 5/8" Type 'A' Phillips Flat Head Screw
4	BB	030-0195	#10-24 x 1/2" Slotted Hex Head Screw

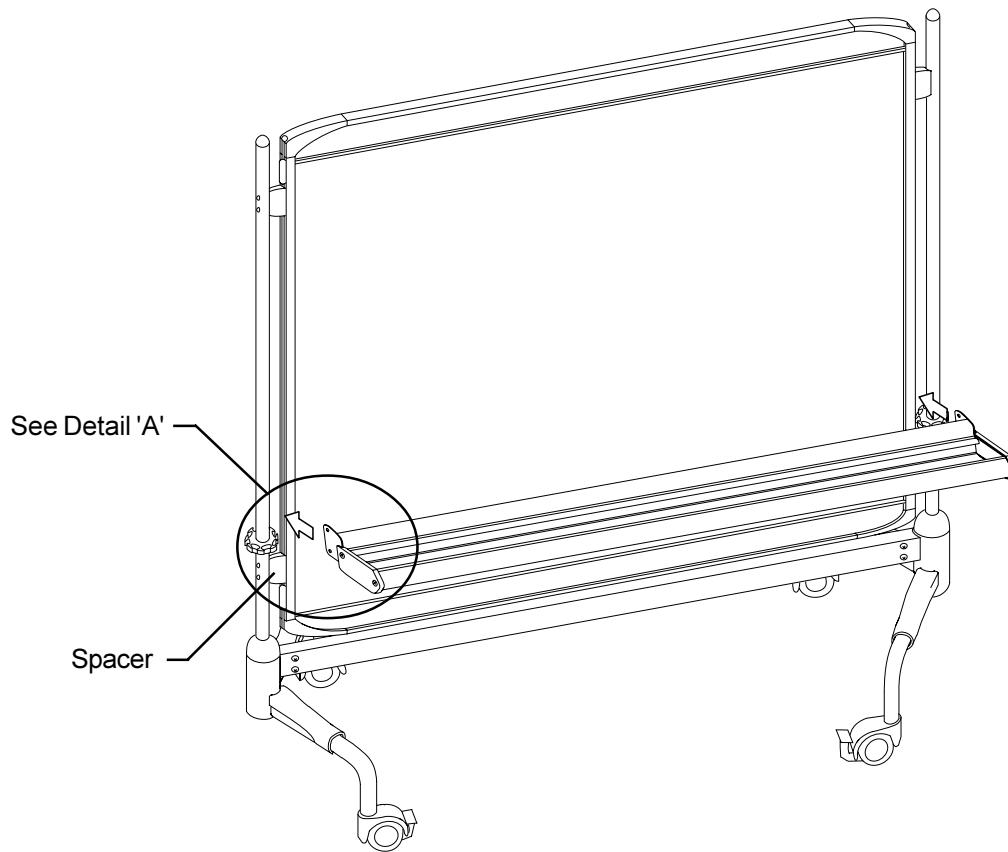
Tools Required

Phillips Screw Driver
5/16 Open End Wrench



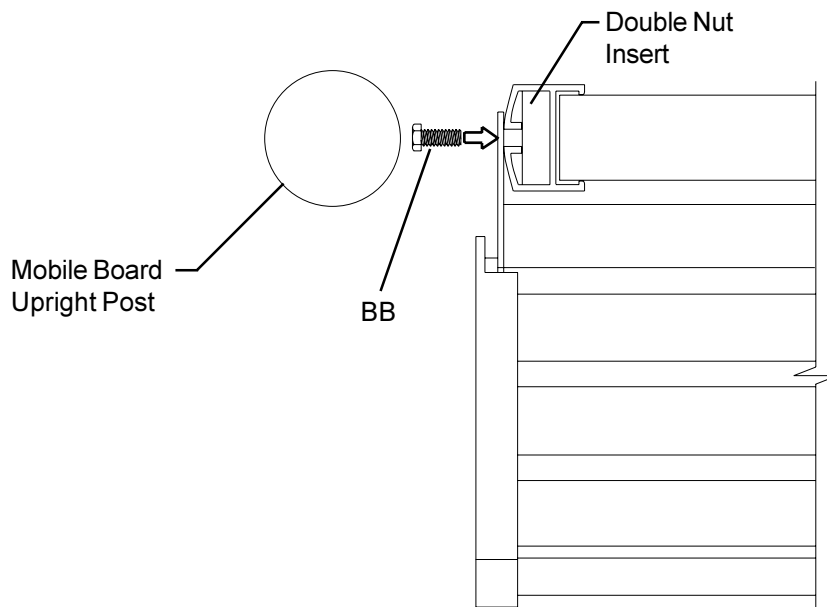
Step 1

From one end of the pencil tray, attach the end bracket and end cap with #6 x 5/8" screws (AA) as shown. Repeat Step 1 on the other end to complete assembly of the pencil tray.



Step 2

Position the pencil tray end brackets over the outer edges of the Mobile Board. Align the brackets over the nut insert in the channel of the Mobile Board. Install #10-24 screws (BB), do not tighten. Lower the pencil tray until it touches the Mobile Board spacers. Tighten all screws.



Detail 'A'

Bretford
 11000 Seymour Avenue
 Franklin Park, IL 60131
 TEL: 847.678.2545
 800.521.9614
 FAX: 847.678.0852
 800.343.1779

Bretford Ltd.
 Technology House
 2 Etongate, 110 Windsor Road
 Slough, Berkshire SL1 2JA England
 TEL: 01753 53 99 55
 FAX: 01753 53 94 78

www.bretford.com

Part#031-3441
 Rev.03.16.04 CH