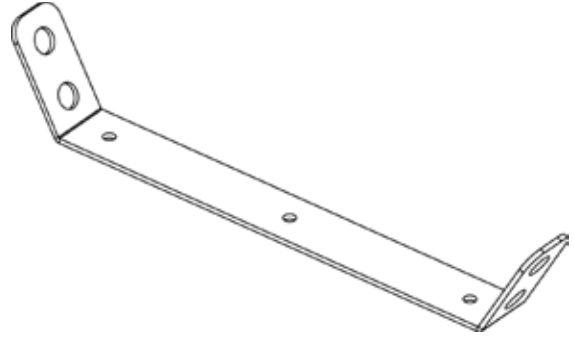


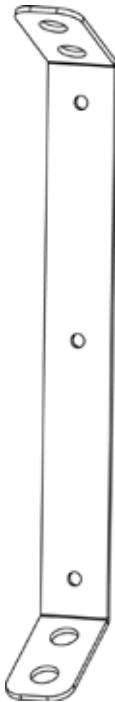
DOCK AND LOCK BRACKET

Assembly Instructions



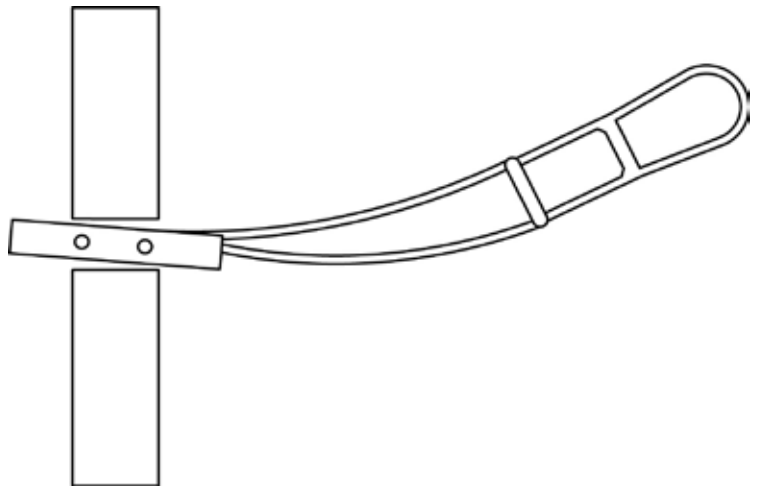
PARTS LIST

Qty	Part #	Description
1	010-4879	Dock and Lock Bracket
1	030-0853	3' Security Cable
3	030-1289	Toggler Bolt 1/4" w/Screw
3	030-1290	1/4 x 1 1/2" 1-Way Rnd Hd Security Screw
3	030-0305	7/8" x 17/64" x 1/16" Washer
1	030-1066	Combination Lock



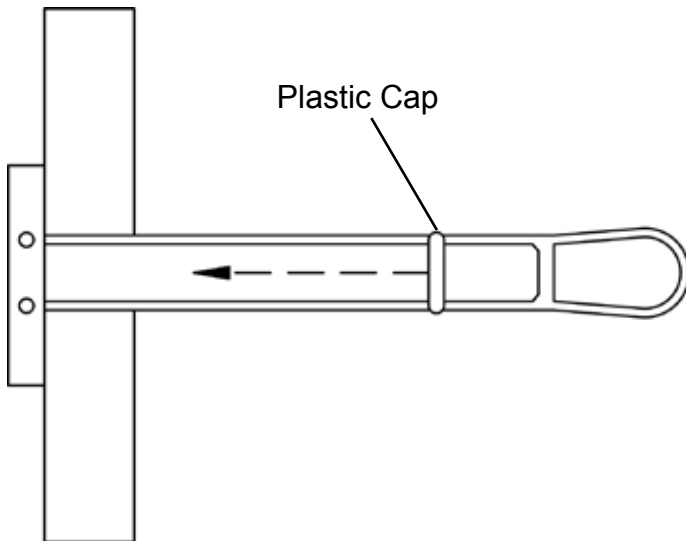
STEP 1

Position your laptop cart close to the wall. Then position the dock and lock bracket vertically on the wall centered with the handle of your laptop cart. Mark the 3 holes.



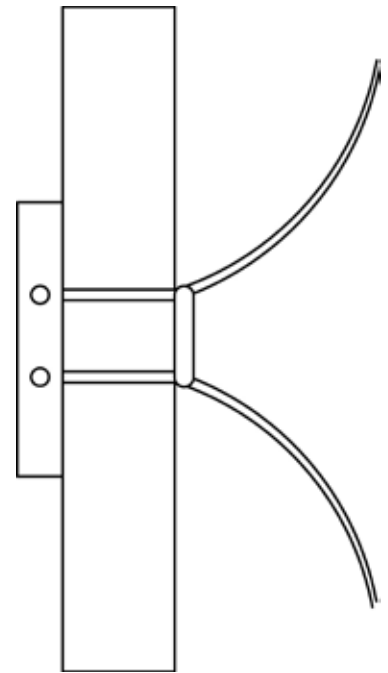
STEP 2

Drill into surface using a 3/4" drill bit. Insert toggler bolt into hole as shown.



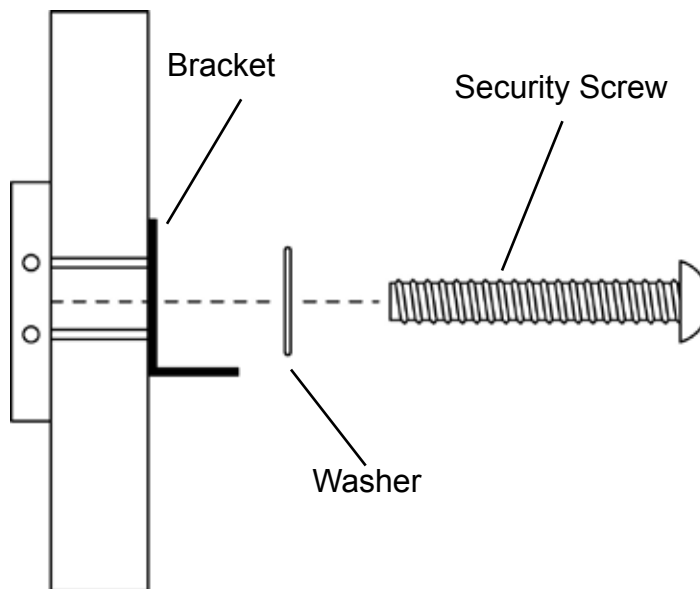
STEP 3

Pull the metal channel firmly against the inner wall by tugging the plastic pull ring. Slide the plastic cap along the leg until it is flush with the surface.



STEP 4

Snap the plastic legs off flush at the plastic cap by pushing outward.



STEP 5

Position bracket over plastic cap and secure with washer and **SECURITY** screw as shown. **DO NOT USE** the screw that comes with the toggle bolt. Using that screw will not safeguard you cart against theft.

NOTE: Maximum torque on bolt is 5 foot lbs.



FIGURE 1

Plate MUST be on the bottom



FIGURE 2

Secure with provided lock

STEP 6

Slide cable up through the bottom of the dock and lock bracket as shown in **FIGURE 1**. Push your laptop cart up to the bracket. Wind the cable around the handle as many time as you wish. **(FIGURE 2)** Slide the end of the cable through the top of the bracket and secure with provided lock.

Bretford
11000 Seymour Avenue
Franklin Park, IL 60131
TEL: 847.678.2545
800.521.9614
FAX: 847.678.0852
800.343.1779

Bretford Ltd.
2 Etongate
110 Windsor Road, Slough
Berkshire SL1 2JA England
TEL: 011 44 17 5353 9955
FAX: 011 44 17 5353 9478