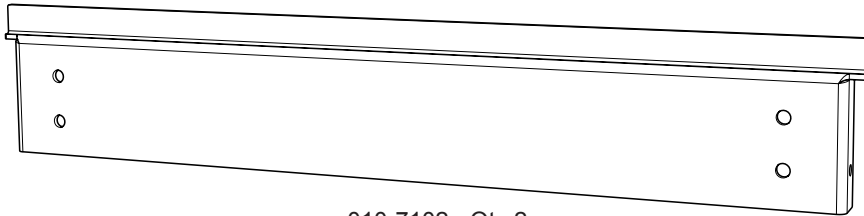
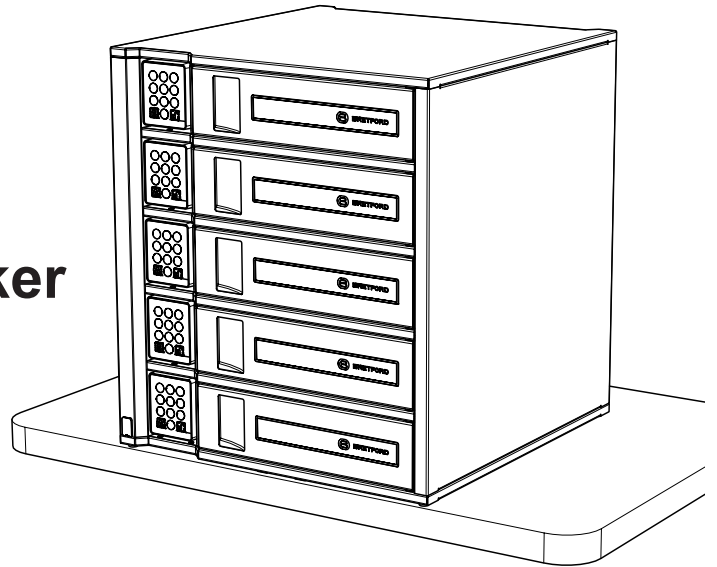


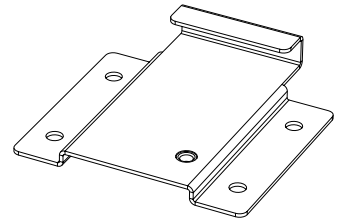


# TLMTKIT5 TechGuard™ Charging Locker

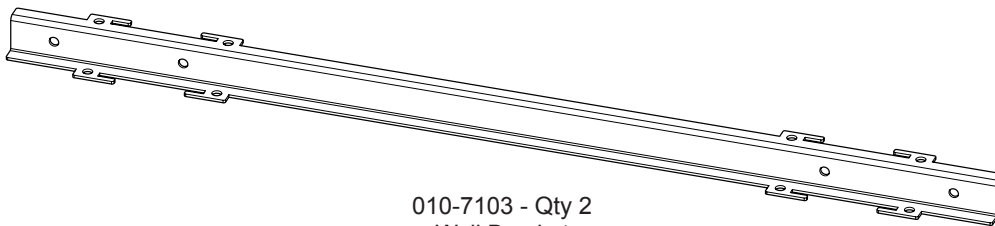
## Assembly Instructions



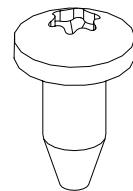
010-7102 - Qty 2  
Wall Cleat



010-7115 - Qty 1  
Surface Mount Bracket



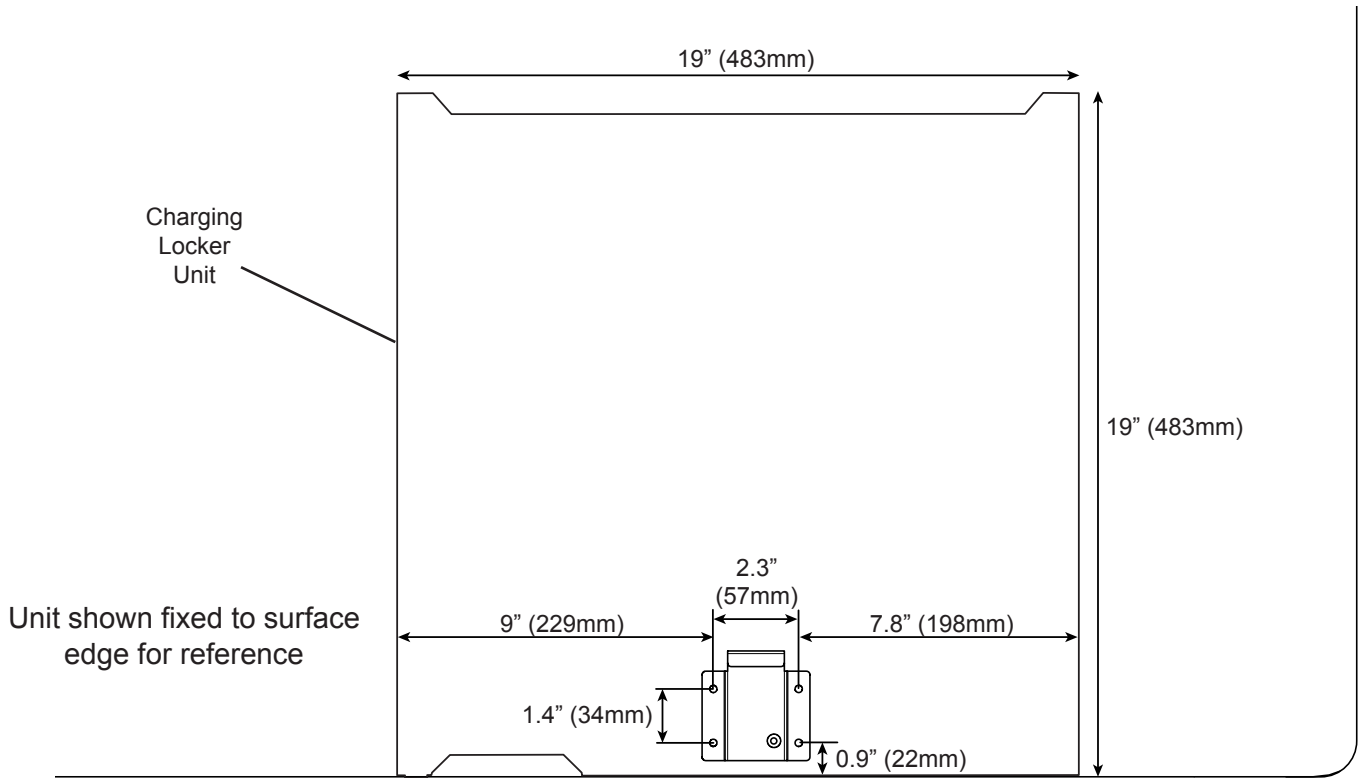
010-7103 - Qty 2  
Wall Bracket



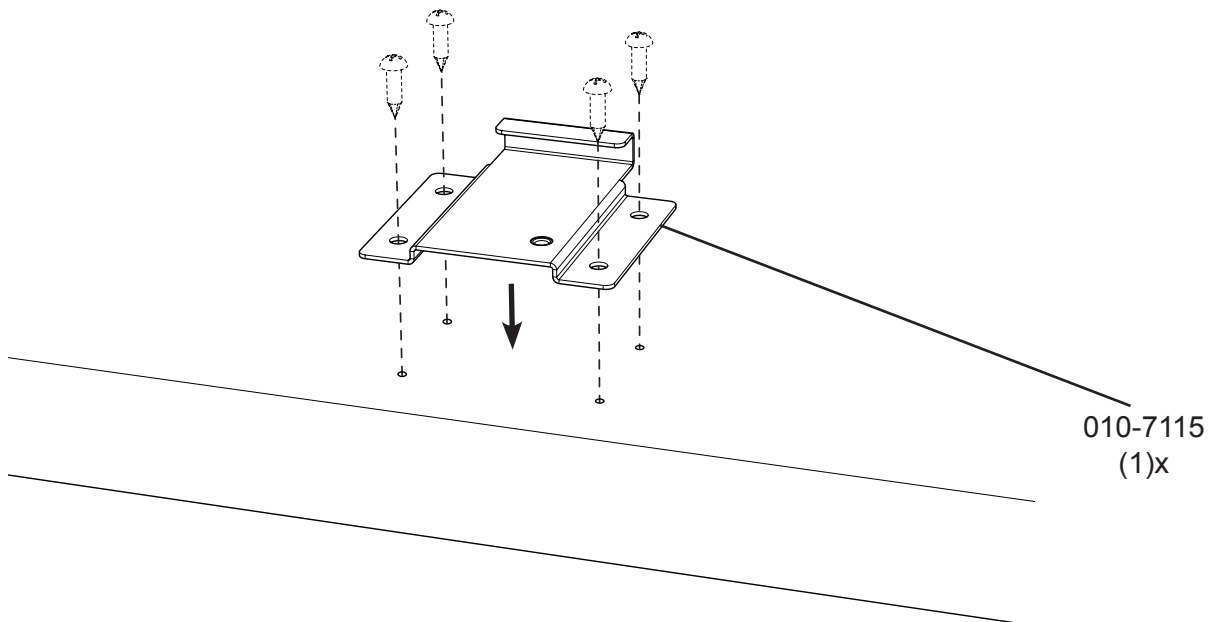
030-1796 - Qty 10  
#10-32 x 1/2" Serrated Screw

# Surface Mounting

## 1

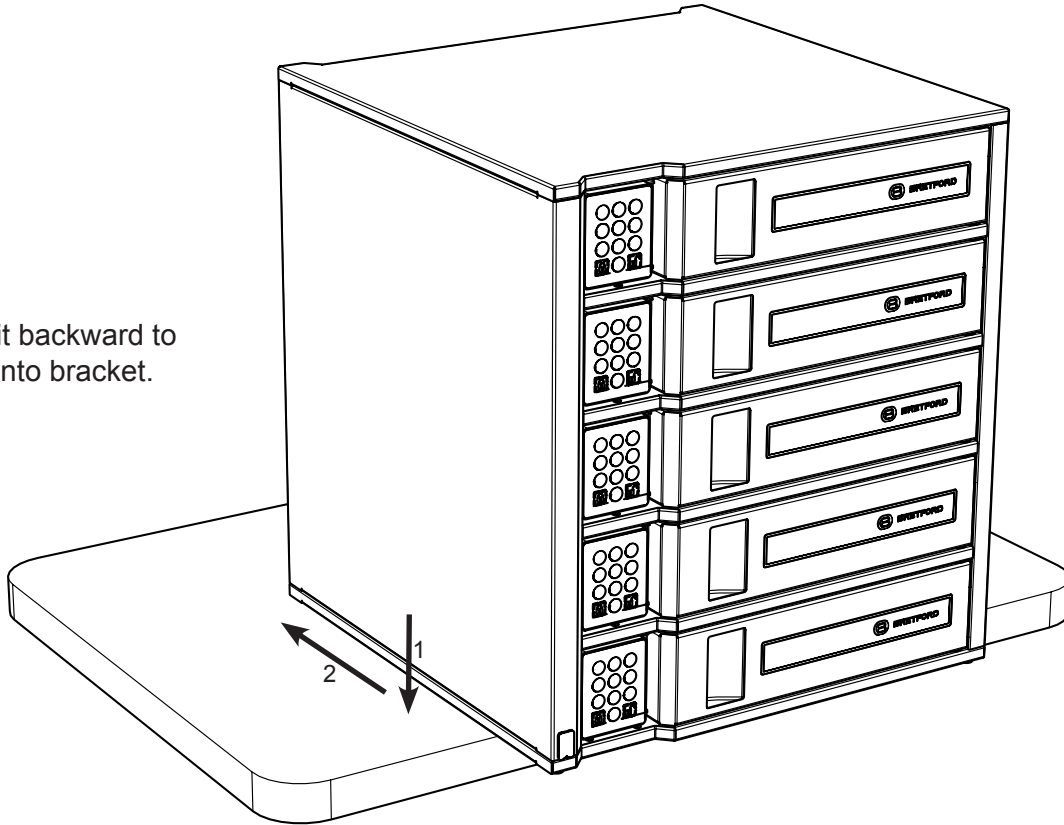


## 2

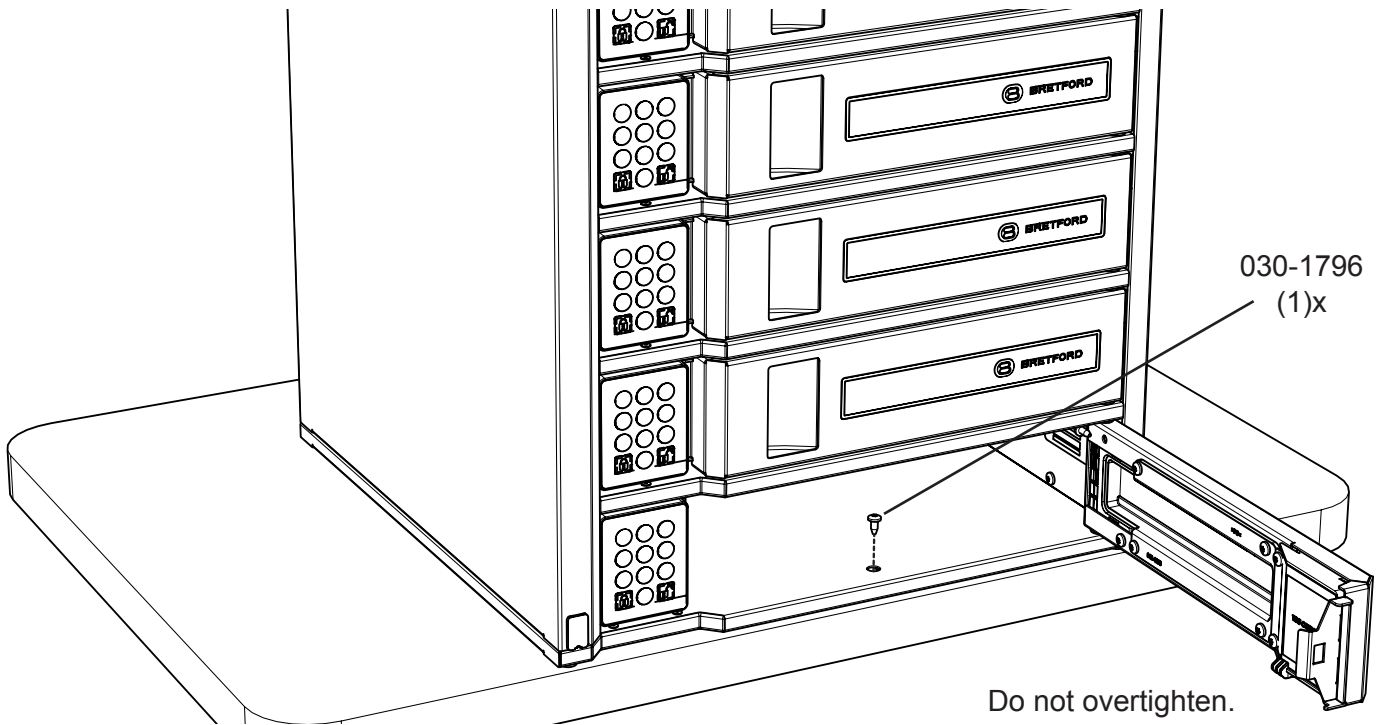


### 3

Slide unit backward to hook onto bracket.



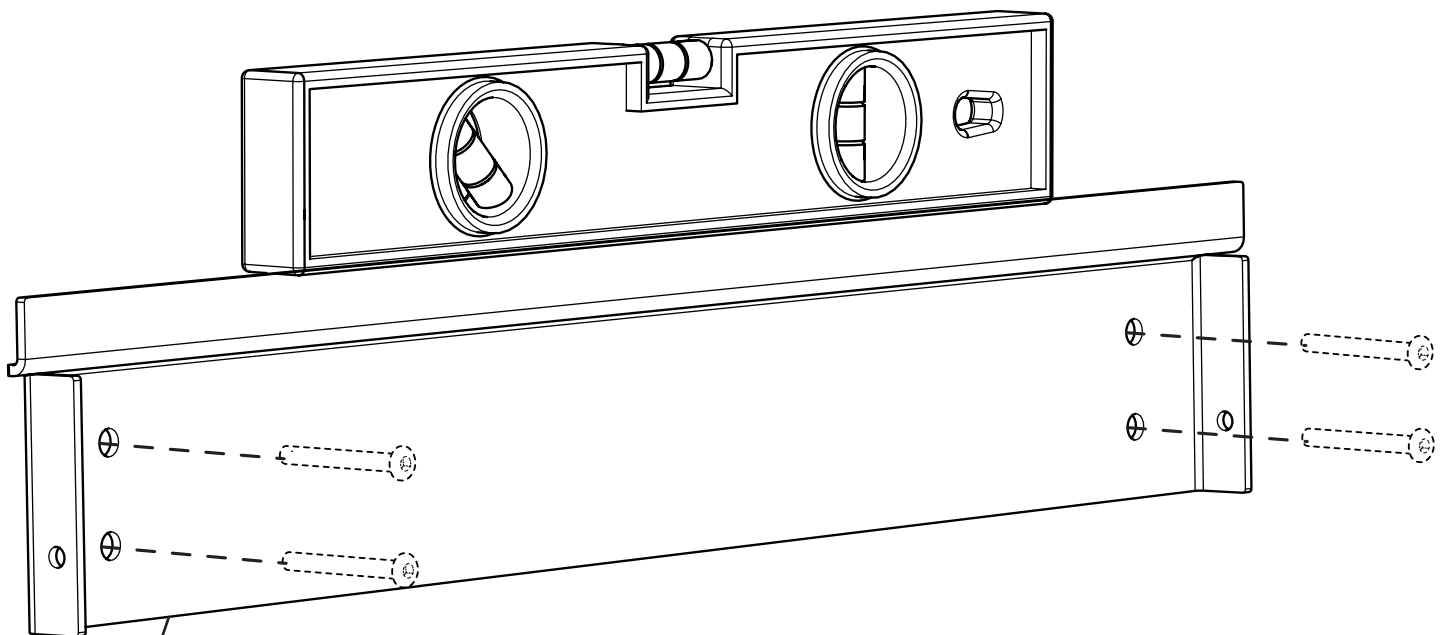
### 4



## Wall Mounting

# 1

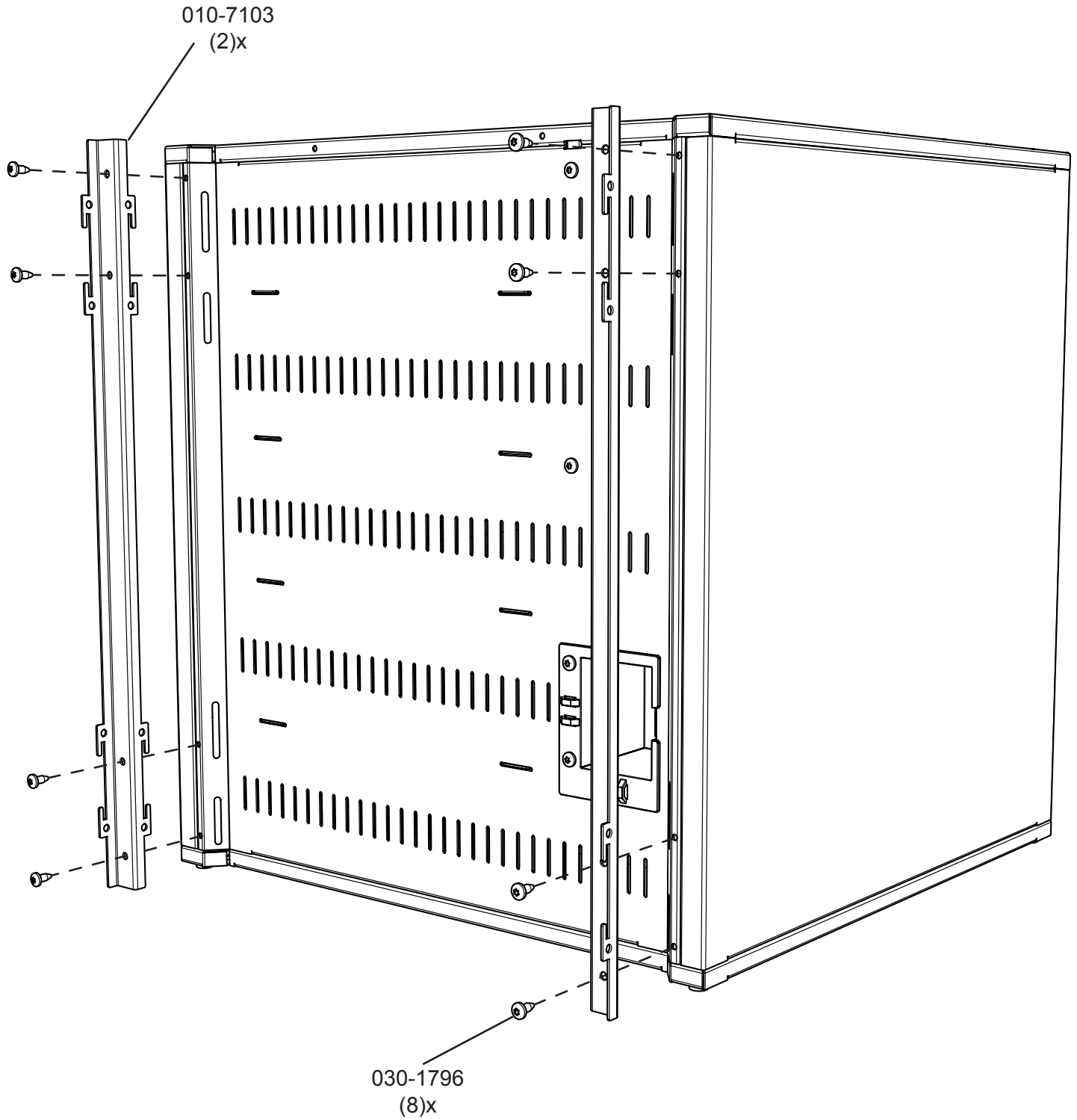
- ◆ **Consult with a structural engineer or suitable professional prior to mounting.**
- ◆ **Mounting hardware (not provided) and installation method must be suitable with specific wall construction used.**
- ◆ Only for a single unit of 5-bay.
- ◆ Nothing may be placed on top.
- ◆ Units may not be stacked.



010-7102  
(1)x

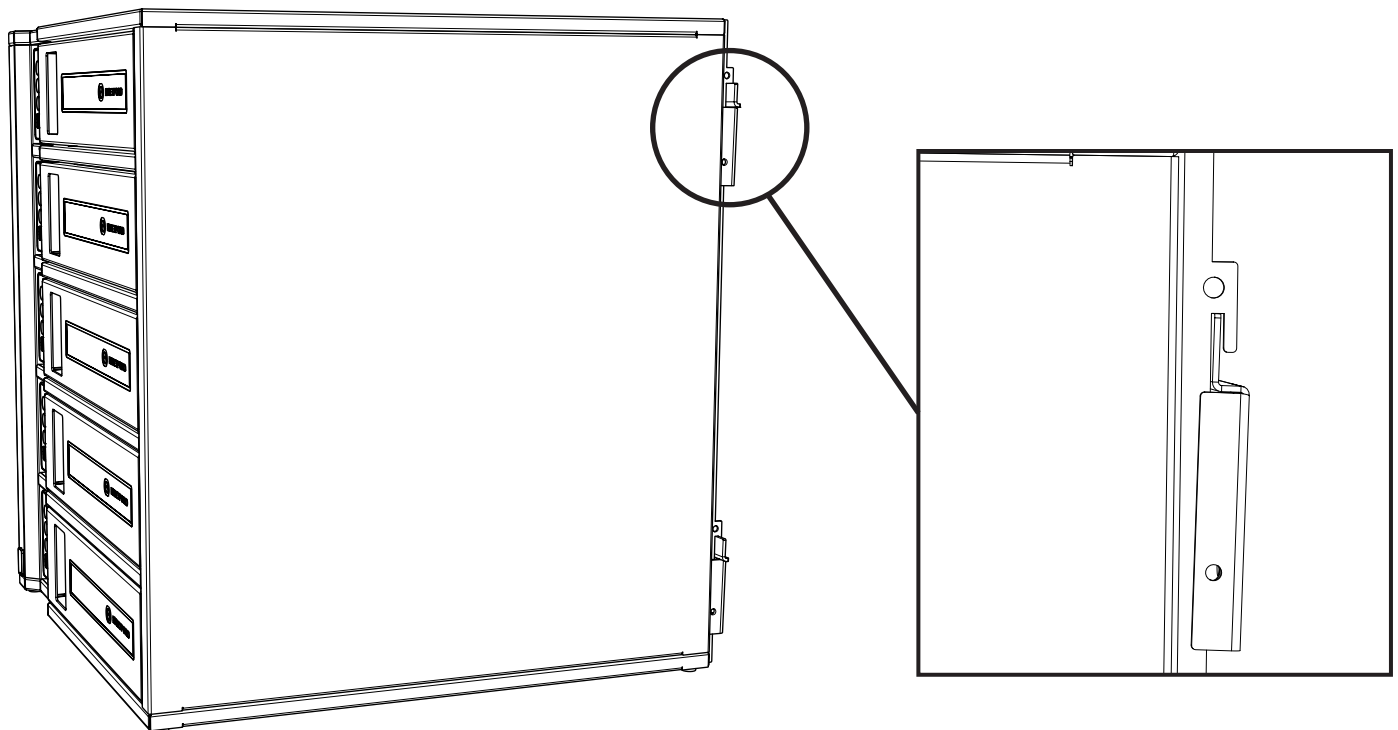
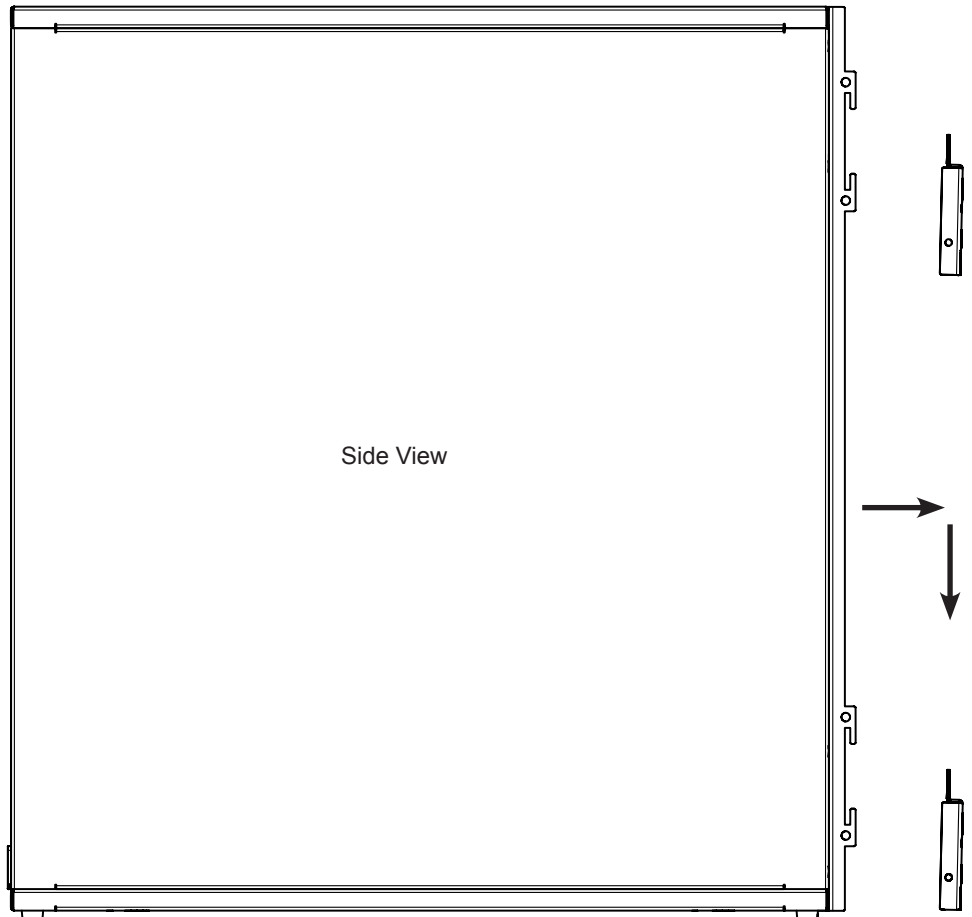
Use screws in four positions shown 16" on center. **Consult with a structural engineer or suitable professional prior to mounting. Use a bubble level to install wall cleats.**

# 2

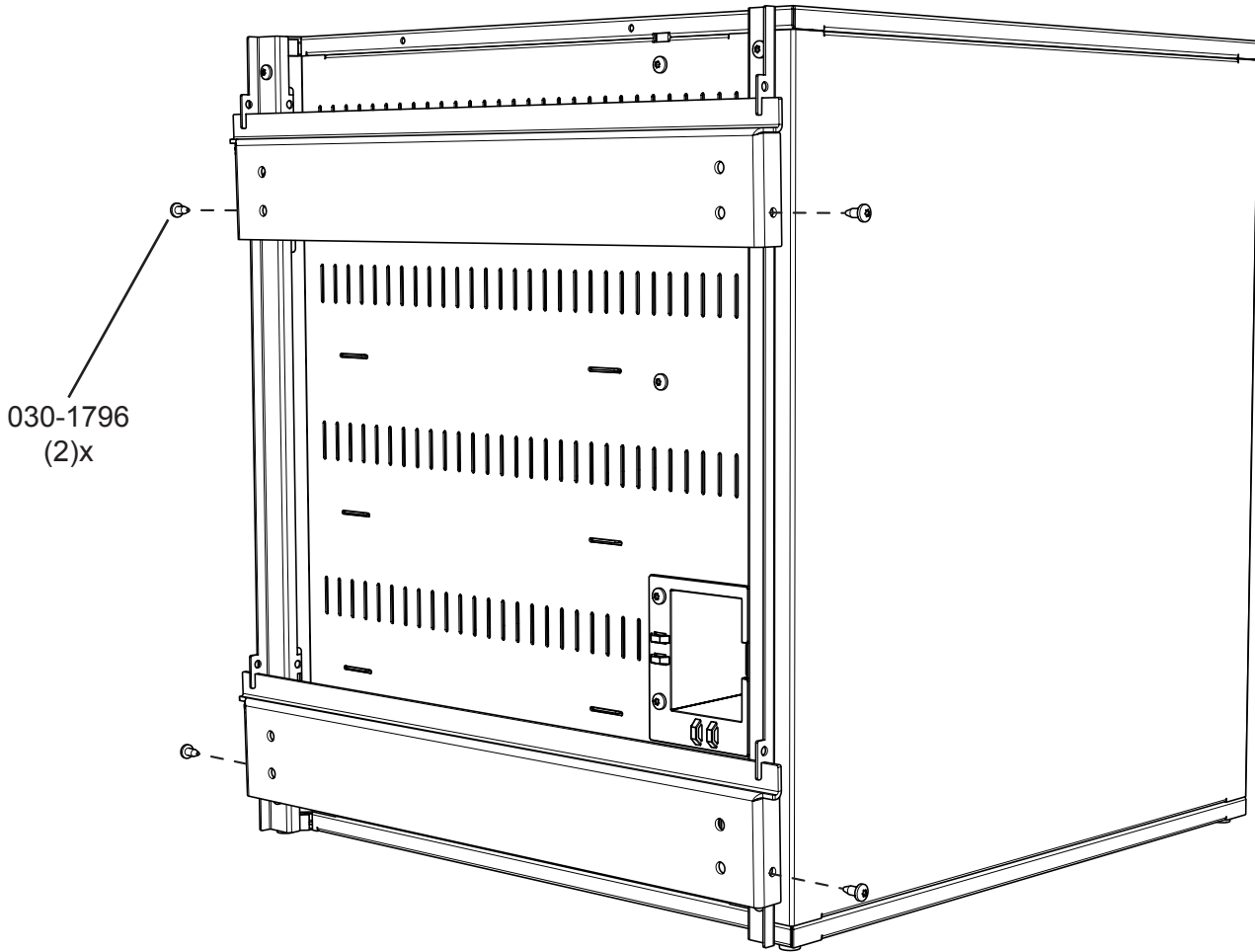


# 3

Two Person  
Assembly Required.  
Assemble unit to wall cleat.



4



030-1796  
(2)x



11000 Seymour Avenue  
Franklin Park, Illinois 60131 USA

Toll Free Phone: +1-800-521-9614  
Phone: +1-847-678-2545  
Toll Free Fax: +1-800-343-1779  
Fax: +1-847-678-0852

BRETTFORD.COM

Bretford, B design, and TechGuard are trademarks or registered marks of Bretford Manufacturing, Inc. or Bretford Manufacturing, Ltd. Patents pending. ©2015 Bretford Manufacturing, Inc. All rights reserved. All other referenced product names and logos are trademarks of their respective owners.