

# Assembly Instructions

## Anderson Dining Table



PLEASE NOTE: Check that you have received all components and hardware before assembling. If you are missing any parts, contact your retailer, or email: [cs@euro.style](mailto:cs@euro.style).



2 people recommended



A (12 pcs)  
6x15mm



B (4 pcs)  
8x45mm



C (4 pcs)



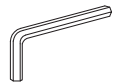
D (4 pcs)  
9x12x1.5mm



E (4 pcs)  
8x17x12mm



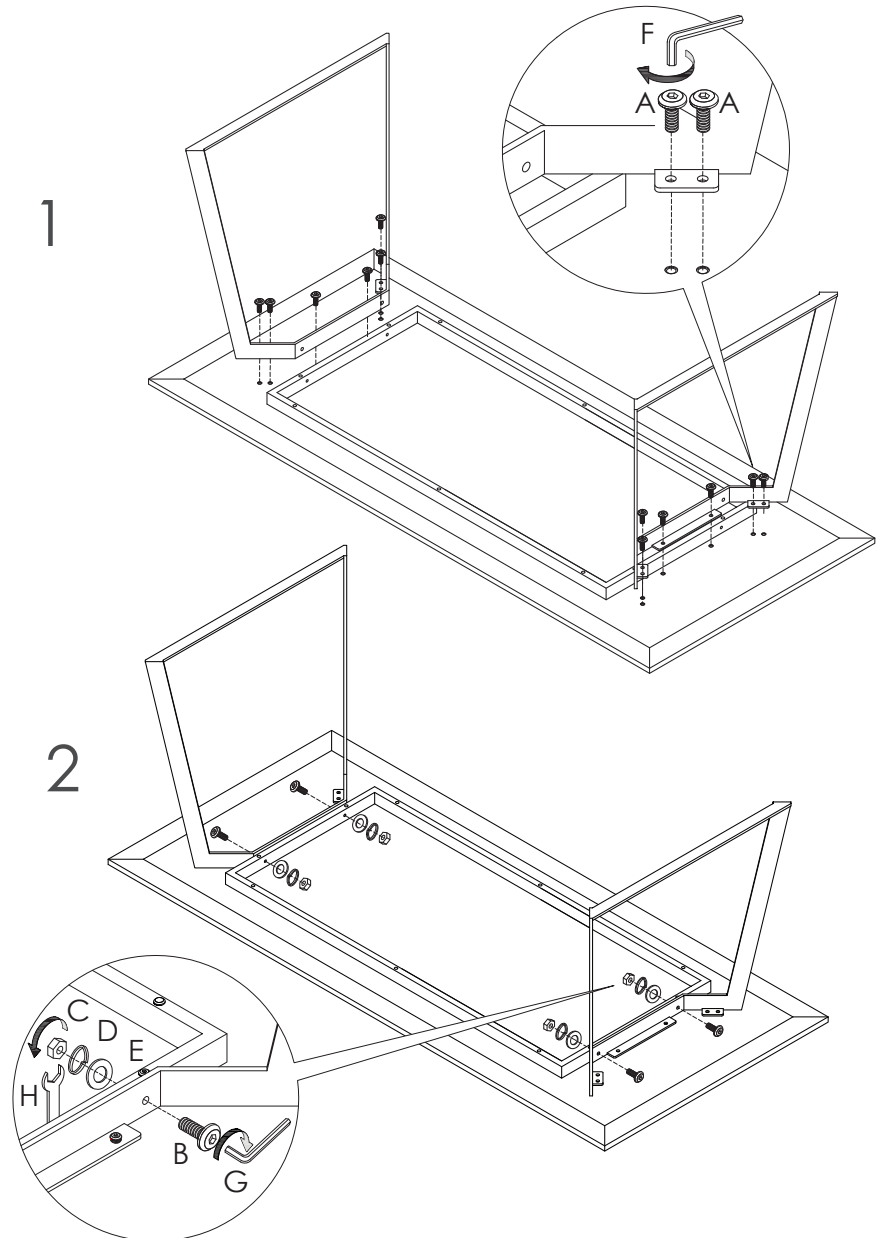
F (1 pc)  
M4



G (1 pc)  
M6



H (1 pc)



During assembly, hand tighten screws only. When the screws are in place, tighten completely.