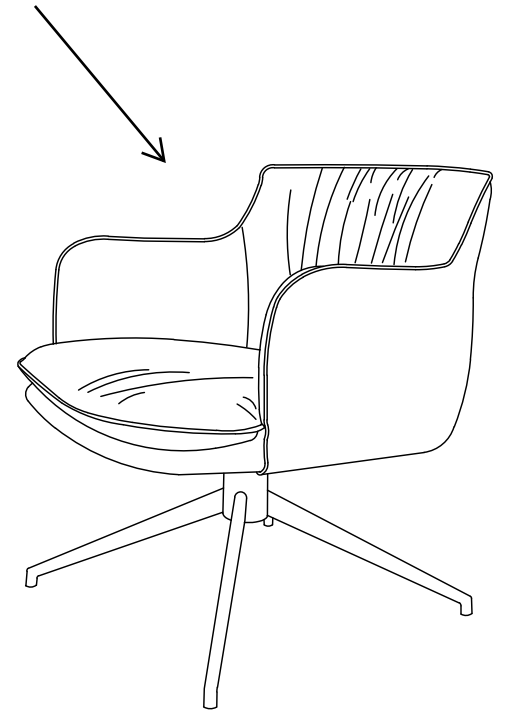
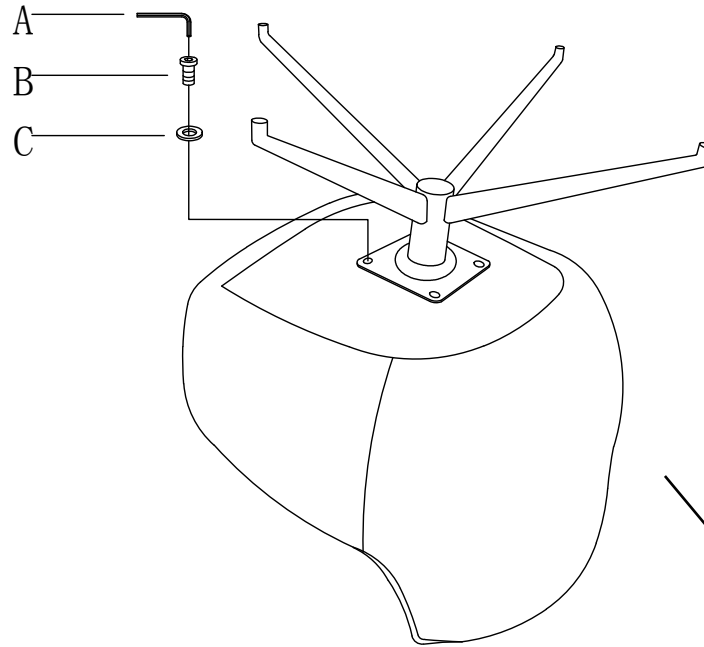


Assembly Instructions

RONJA Swivel Lounge Chair

PLEASE NOTE: Check that you have received all components and hardware before assembling. If you are missing any parts, contact your retailer.



A (1 pc)
5mm



B (4 pcs)
M8x15



C (4 pcs)
Dia. 8mm

During assembly, hand tighten screws only. When the screws are in place, tighten completely.