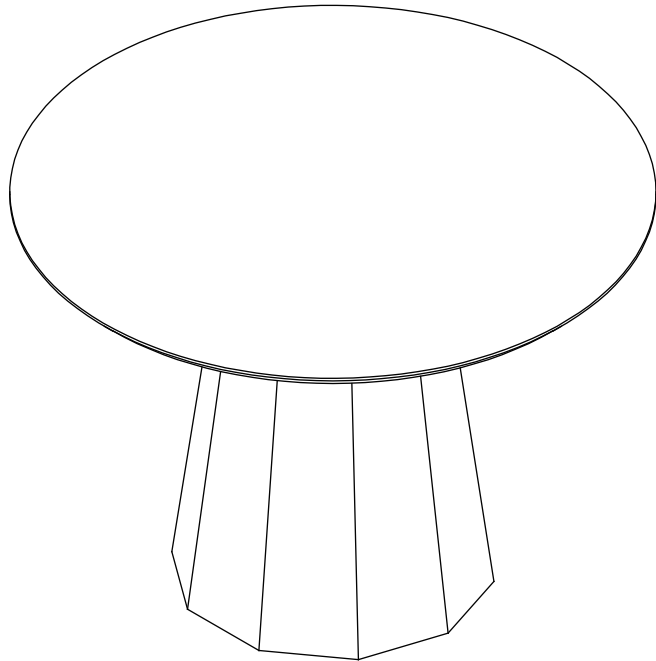


# Assembly Instructions

## SIDNEY-42 ROUND TABLE

PLEASE NOTE: Check that you have received all components and hardware before assembling. If you are missing any parts, contact your retailer.



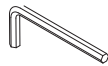
2 people recommended



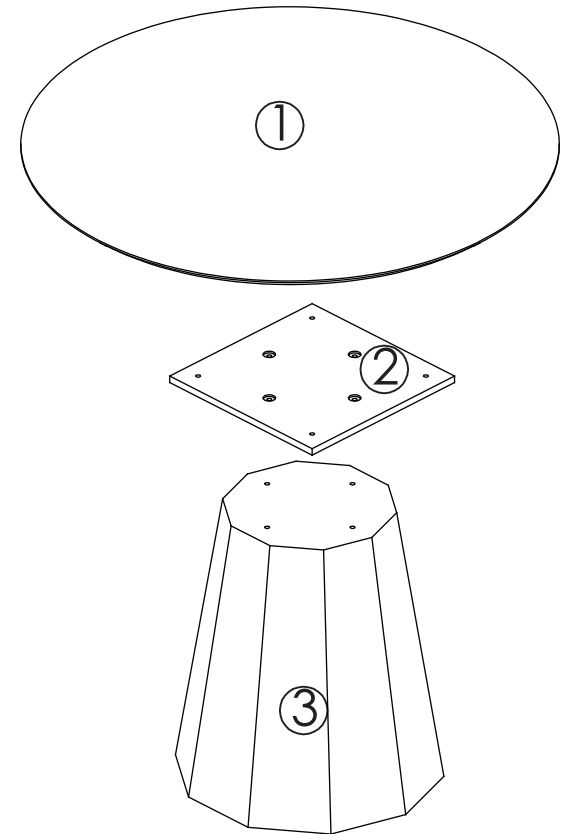
A (8 pcs)  
Ø8 x 35mm



B (8 pcs)  
Ø8 x 20mm



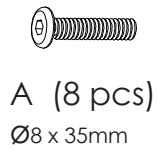
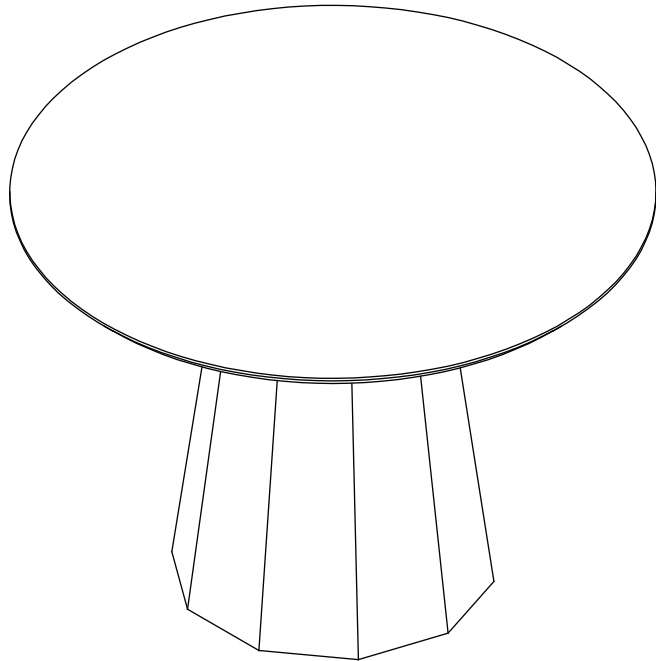
C (1 pc)  
M5



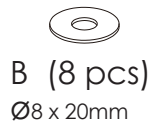
During assembly, hand tighten screws only. When the screws are in place, tighten completely.

# Assembly Instructions

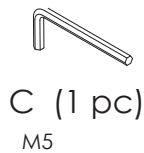
## SIDNEY-42 ROUND TABLE



A (8 pcs)  
Ø8 x 35mm



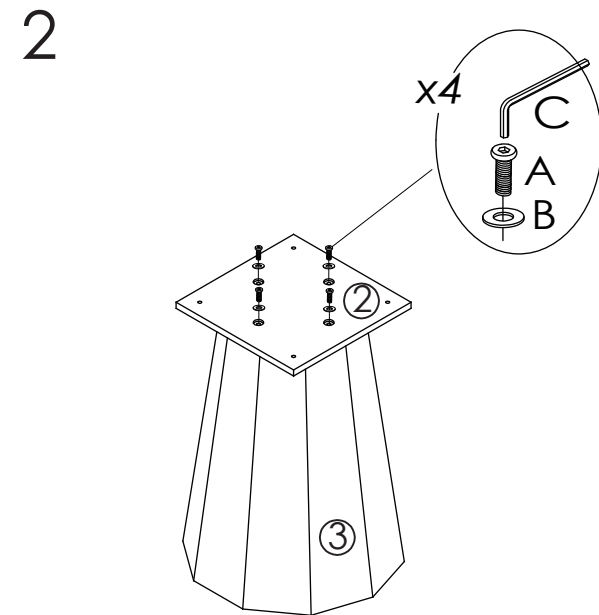
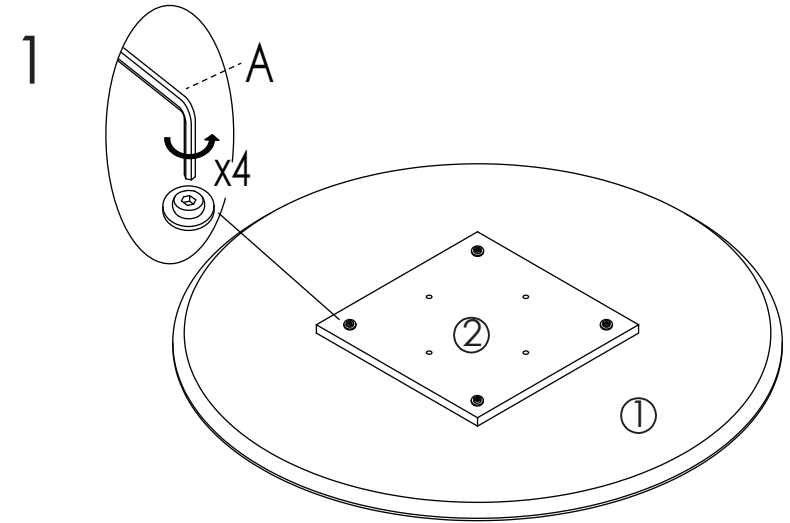
B (8 pcs)  
Ø8 x 20mm



C (1 pc)  
M5

Updated 07.16.25 -  
ms

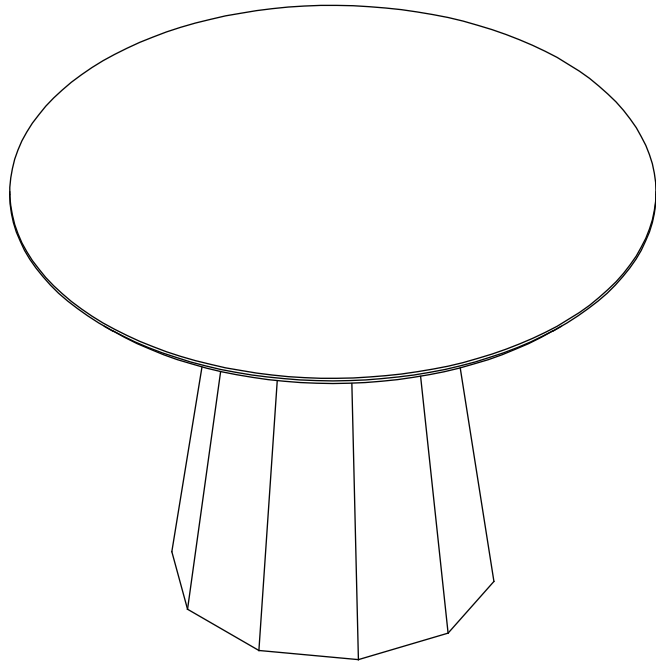
PLEASE NOTE: Check that you have received all components and hardware before assembling. If you are missing any parts, contact your retailer.



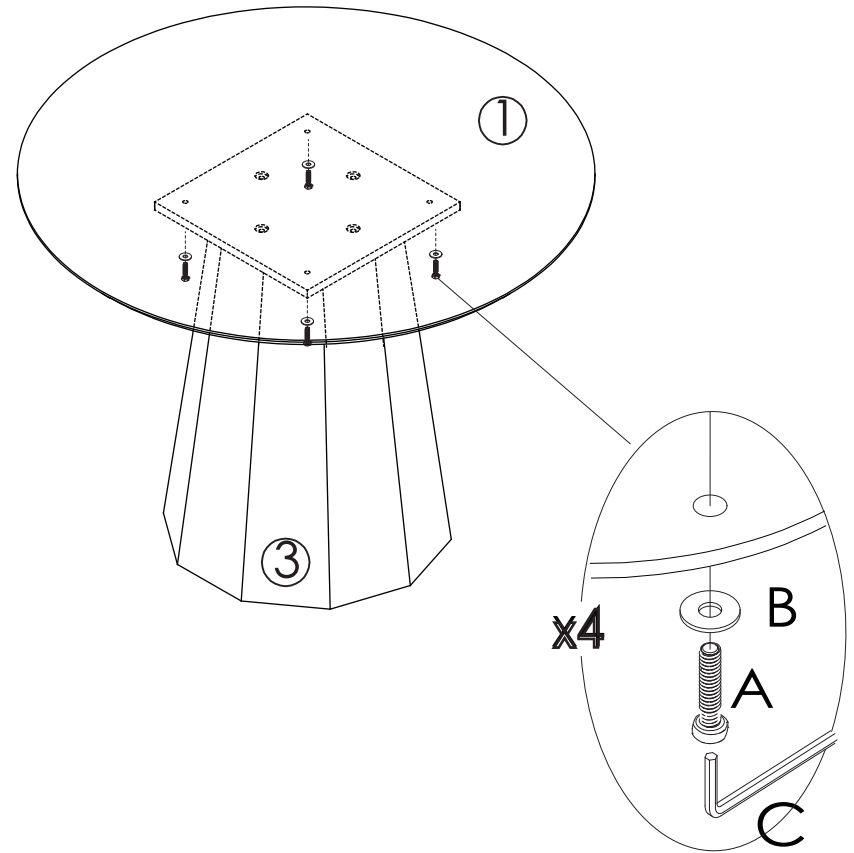
During assembly, hand tighten screws only. When the screws are in place, tighten completely.

# Assembly Instructions

## SIDNEY-42 ROUND TABLE



3



A (8 pcs)  
Ø8 x 35mm



B (8 pcs)  
Ø8 x 20mm



C (1 pc)  
M5

PLEASE NOTE: Check that you have received all components and hardware before assembling. If you are missing any parts, contact your retailer.

During assembly, hand tighten screws only. When the screws are in place, tighten completely.