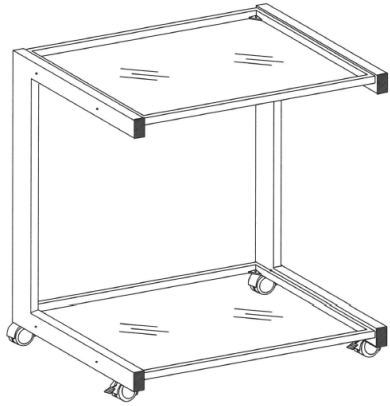
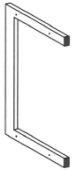
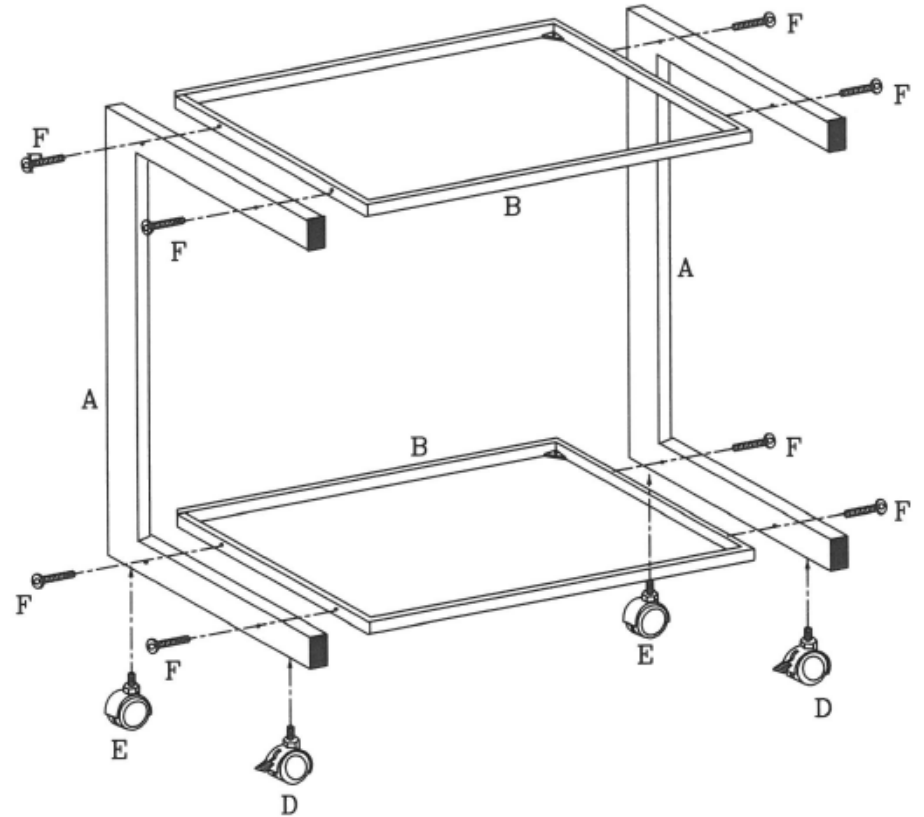


# Assembly Instructions CAESAR Printer Cart

PLEASE NOTE: Check that you have received all components and hardware before assembling. If you are missing any parts, contact your retailer.



## STEP 1



A (2 pcs)



B (2 pcs)



C (2 pcs)



D (2 pcs)



E (2 pcs)



F (8 pcs)  
1/4 x32mm



G (8 pcs)



H (8 pcs)



I (1 pc)

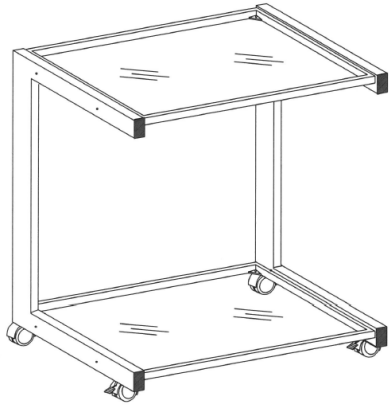


J (1 pc)  
4mm

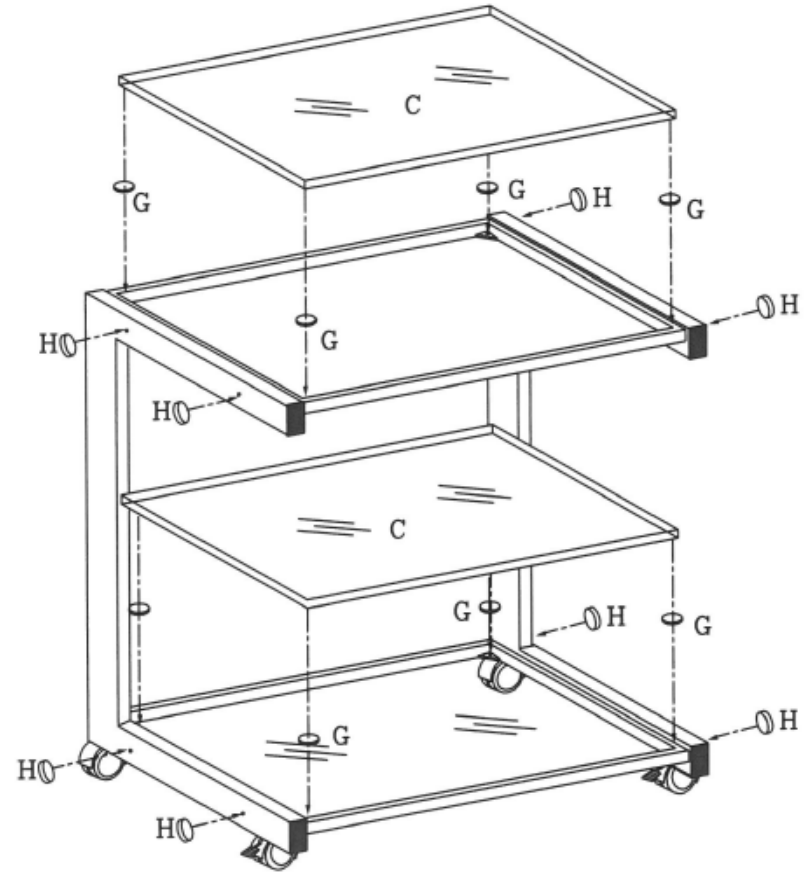
During assembly, hand tighten screws only. When the screws are in place, tighten completely.

# Assembly Instructions CAESAR Printer Cart

PLEASE NOTE: Check that you have received all components and hardware before assembling. If you are missing any parts, contact your retailer.



## STEP 2



A (2 pcs)



B (2 pcs)



C (2 pcs)



D (2 pcs)



E (2 pcs)



F (8 pcs)  
1/4 x32mm



G (8 pcs)



H (8 pcs)



I (1 pc)



J (1 pc)  
4mm

During assembly, hand tighten screws only. When the screws are in place, tighten completely.