

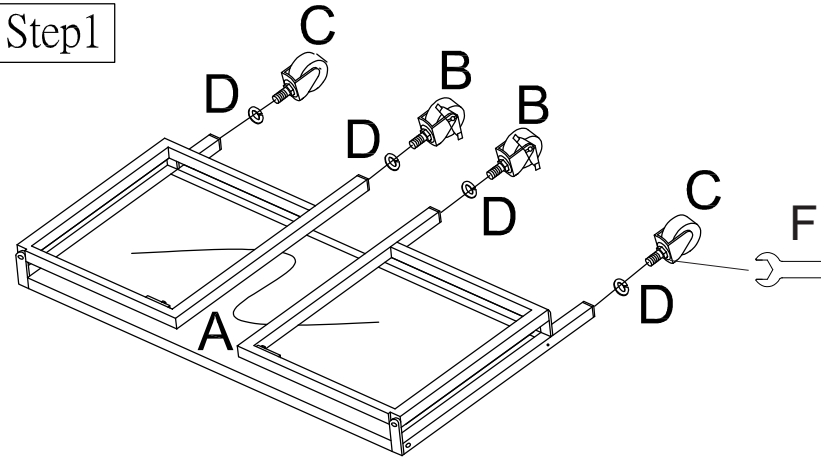
# Assembly Instructions

## CHRISTEL folding desk

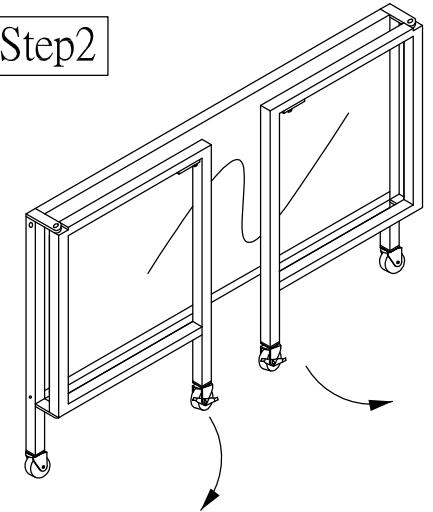


PLEASE NOTE: Check that you have received all components and hardware before assembling. If you are missing any parts, contact your retailer.

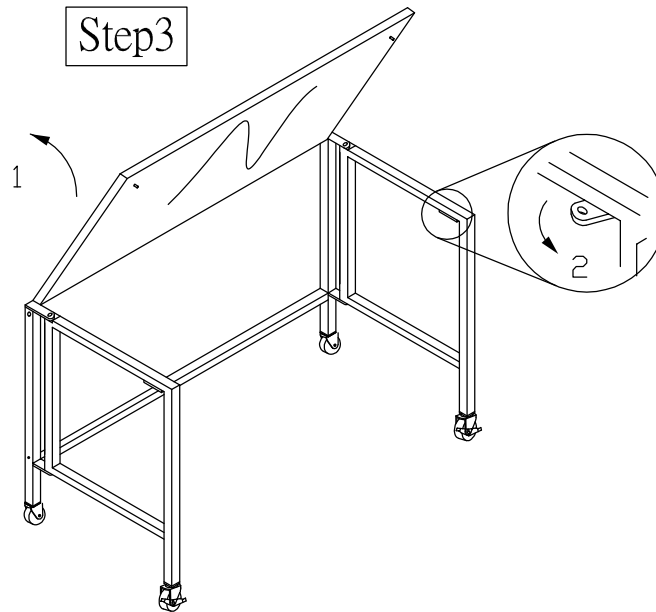
Step1



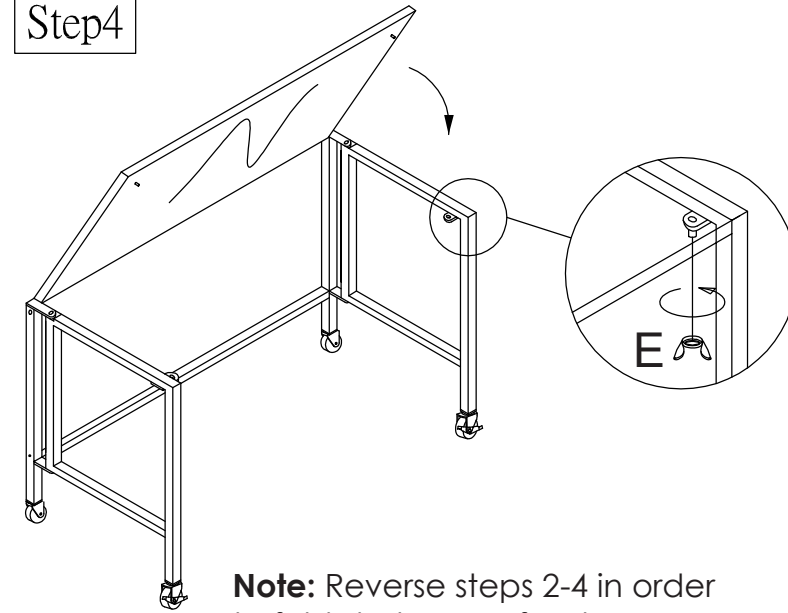
Step2



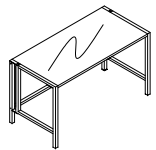
Step3



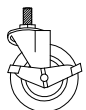
Step4



**Note:** Reverse steps 2-4 in order to fold desk away for storage.



A (1 pc)



B (2 pcs)



C (2 pcs)



D (4 pcs)



E (2 pcs)



F (1 pc)

During assembly, hand tighten screws only. When the screws are in place, tighten completely.