

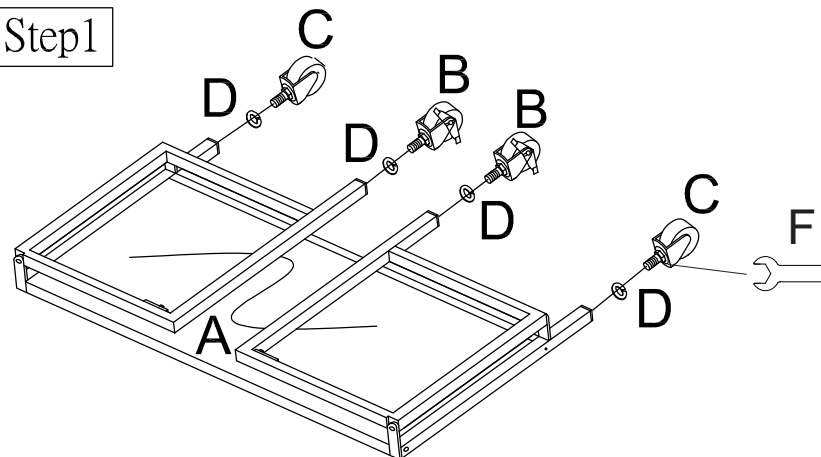
euø style™

Assembly Instructions EVERT folding desk

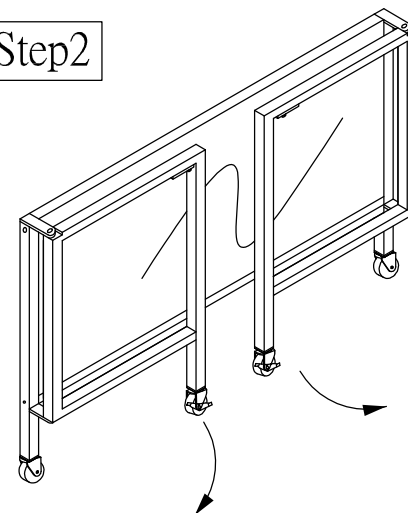


PLEASE NOTE: Check that you have received all components and hardware before assembling. If you are missing any parts, contact your retailer.

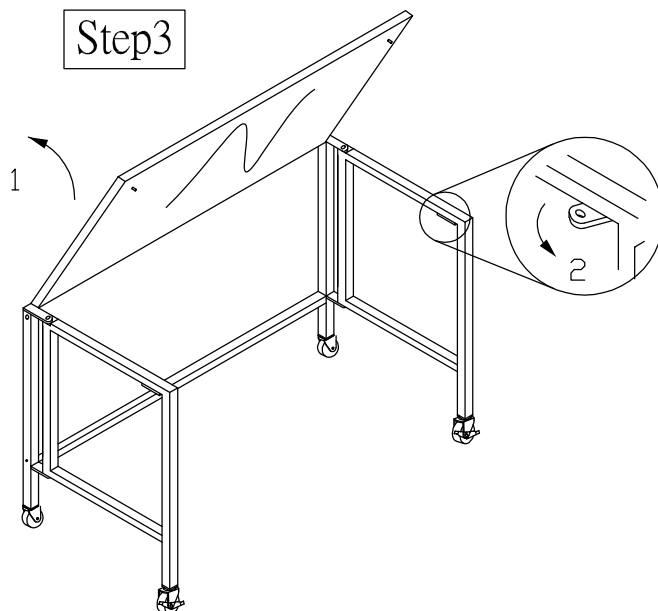
Step1



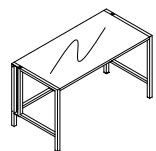
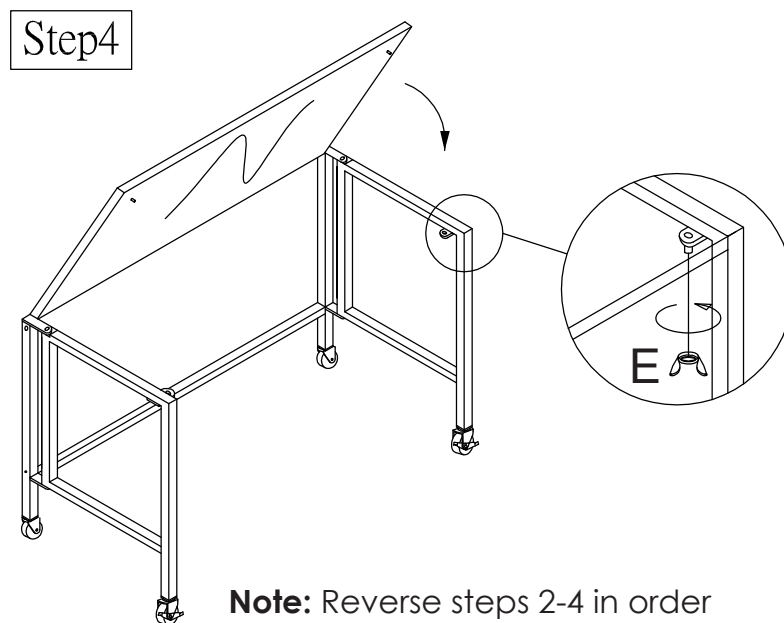
Step2



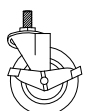
Step3



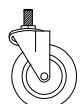
Step4



A (1 pc)



B (2 pcs)



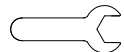
C (2 pcs)



D (4 pcs)



E (2 pcs)



F (1 pc)

Note: Reverse steps 2-4 in order to fold desk away for storage.

During assembly, hand tighten screws only. When the screws are in place, tighten completely.