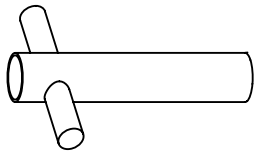
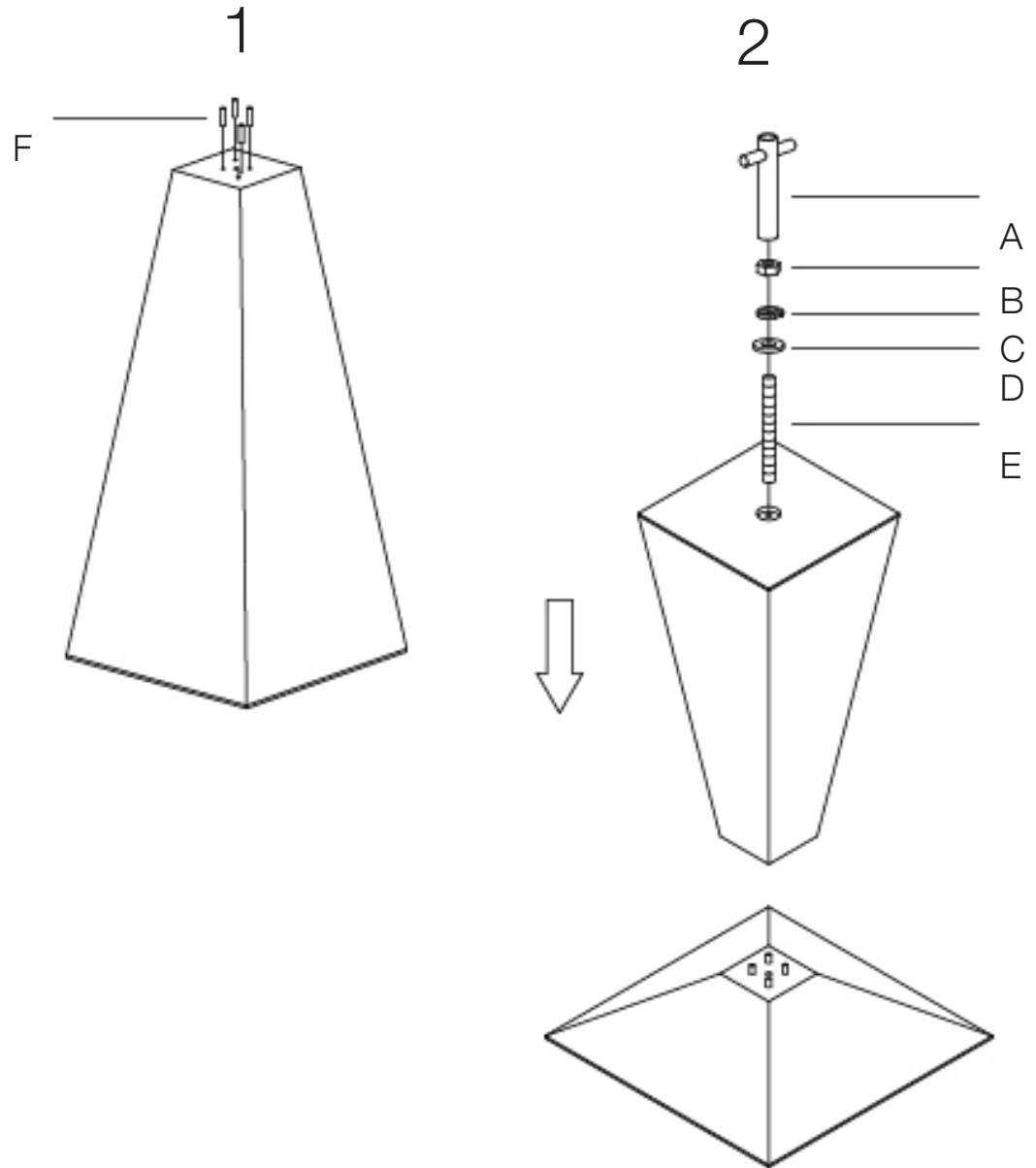
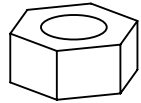


# Assembly Instructions TAD-B Bar Table

PLEASE NOTE: Check that you have received all components and hardware before assembling. If you are missing any parts, contact your retailer.



A (1 pc)



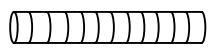
B (1 pc)



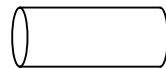
C (1 pc)



D (1 pc)



E (1 pc)  
M8-1.25 x 865mm



F (4 pcs)  
M8 x 40mm

During assembly, hand tighten screw only. When the screw is in place, tighten completely.