

New Battery Pump

when design >> meets technology

ENG



Euro Press Pack

pump

MBE

MBE

New **EPP Euro Press Pack MBE 700 bar** high pressure pump for professional applications, especially useful in workplaces where you don't have power supply or where it's impossible to use petrol engine motor.

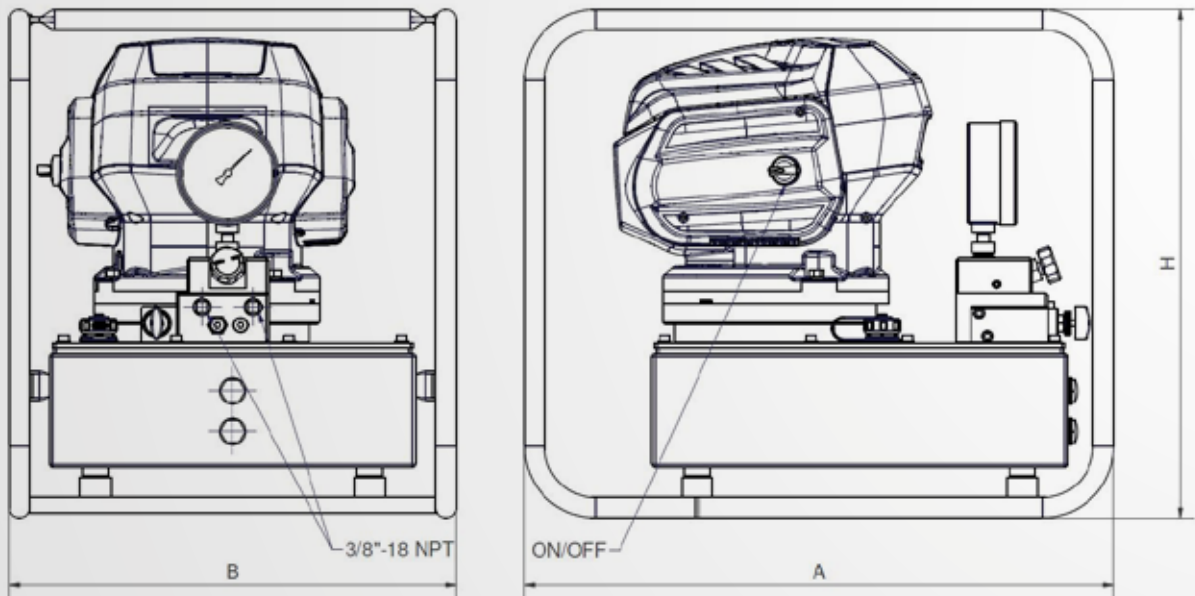
This pump is structured with the highest technology carefully studied to ensure longevity, the best performance and reliability and exceptional handiness.

The axial piston pump generates a maximum working pressure of **700 bar** with an oil flow of 0,6l per minute. The pump is equipped with a low pressure stage set at 85 bar with an oil flow of 6,0l per minute to quickly fill in the circuit or to quickly approach the cylinder to the load.

The pump is operated by a brand new battery motor which allows the power pack to be used in any kind of environments. It can be used in places without power supply or with brownouts or also in places where the air and noise pollution does not allow to use a petrol engine motor.

Its functioning is smart, quick and practical thanks to the ON/OFF motor switch button positioned on the left side of the pump. The power pack can be equipped with different manual valves (3/2 handweel valve, 3/3 - 4/3 manual position or spring centered valves) positioned over the **3/8" - 18 NPT** exits.

Technical Features



MODEL	OIL DELIVERY		PRESSURE		MOTOR			BATTERY*		
	1st stage	2nd stage	1st stage	2nd stage	Voltage	Power	Speed	Tension	Capacity	Duration**
	l/min	l/min	bar	bar	V	KW	rpm	V	Ah	Min
MBE	6,0	0,6	85	700	82	1,5	2000	82	5	15/25

This pump guarantees productivity thanks to the high efficiency of the pump together with the powerful and long lasting 82 V li-ion battery.

- 94 lifts with a CMI50N150 cylinder (50 tons, 150 mm stroke)

- 48 lifts with a CMI100N150 cylinder (100 tons, 150 mm stroke)

(Lifting cycles carried out at 70% of stroke (105 mm) and 80% of the maximum working pressure)

*Not included, it can be added upon request **Discontinuous, it can vary depending on the conditions and the pressure

The power pack can be equipped with a 5-10-20-40 powder painted steel reservoir.

The power pack can also be used with 50% water/glycol mix.

The standard pump is equipped with:

- The **82V 1500W** electric motor pump which can be used with an extractable battery, external **ON/OFF** switch and internal security key
- High pressure axial piston pump
- External high pressure valve
- Base plate useful to house different manual valves
- 5-10-20-40 liter reservoir
- Protection and transport cage
- Two position filler and briefing cap



A wide range of position manual and spring centering valves for different solutions (see current EPP catalogue page 75-76) and various ancillaries to personalize the power pack (see current EPP catalogue page 77)

The 82V 5AH battery and the quick battery charger are equipped separately, they are not included with the power pack.



RESERVOIR		DIMENSIONS		
model	usable oil volume(L)	A	B	H
5	3,5	495	325	500
10(A)	9			600
11(B)	7	580	440	500
20	17,5			640
40	34			760



Euro Press Pack

www.europresspack.com

EPP. EURO PRESS PACK Spa

Via M. Disma, 87 - 16042 Carasco (GE) - Italy
Tel. 0039 0185 35271 | Fax 0039 0185 351138
sales@europresspack.it

EPP. MAGNUS Ltd

NORWICH NR6 6AY - UK - 7, Burton Close
Tel. 0044 (0) 160 34 00 861 | Fax 0044 (0) 160 37 88 496
welcome@epp-magnus.co.uk

EUROPRESS DEUTSCHALND GmbH

D - 90427 Nürnberg - Brettergartenstr. 14
Tel. 0049 (0) 911 32 483-0 | Fax 0049 (0) 911 32 483-33
info@europress-deutschland.com

CERTIFIED COMPANY

