

SUNWARD



SWTH SERIES OF TELESCOPIC HANDLER

# Industrial Vehicles

## SUNWARD INTELLIGENT EQUIPMENT CO., LTD.

Add: Sunward Intelligent Industrial Park, Xingsha, Changsha, 410100, China.

Tel: (0086-731) 8402 0688 / Sales Hotline: 400-887-6230

Service Hotline: 400-887-8230

Fax: (0086-731) 8357 2653 / Web: [www.sunward.com.cn](http://www.sunward.com.cn)

[www.forkliftsw.com.cn](http://www.forkliftsw.com.cn)

E-mail: [sales@sunward.com.cn](mailto:sales@sunward.com.cn) P.C: 410100

Please read the manual book and maintenance book before operation, changes are periodically added to the information, and Sunward may change the products or services described in this book at any time without announcement. All rights of this manual book reserve to Sunward. SUNWARD Internal Use Only

X-II-Z-3SWTH EN 2013-09 MCM

SWTH series telescopic handler, which combines with mechanical, electrical and hydraulic technology, is developed by Sunward. It is a multi-functional handling, lifting physical distribution equipment with compact structure, good maneuverability and international advanced level also it is. It is the most ideal high efficiency loading and handling tool for modern industry, construction and agriculture. It can be widely used in workshop, warehouse, dock, construction field, farming and material works etc.

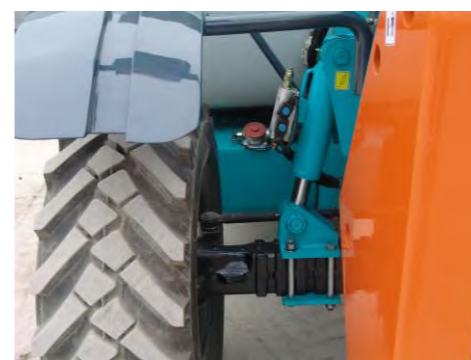


- ▼ Reliable easy-to-use control.
- ▼ Elegant appearance and durable structure.
- ▼ Travel stably on sidehill, rugged jobsite and other crude terrain.
- ▼ Could travel and work on incline over 10 degree.
- ▼ Could load and unload by crossing barrier like ditch, steps, holes in window and door, wall etc.
- ▼ Be able to extend to 9.54 meter, and lift to 13.65 meter.



### Powerful transmission system

Hydrostatic transmission system basically consist of PERKINS engine(Euro III), DANA axle, DANA gear-box, REXROTH pump, REXROTH travel motor, and SOLIDEAL tires, offering stronger power, higher efficiency, more reliable and energy-saving.



### Excellent suspension system

Outstanding cross-country ability and comfortable cab thanks to front axle leveling function and rear axle absorbing function.



### Selective steering modes

- ◆ All-wheel steer for on-site handling ( small turning circles )
- ◆ Crab-steer for positioning loads from side-to-side in restricted areas
- ◆ Front-wheel steer for travel on roads



### Precise control system

- ◆ Intelligent electric accelerograph performs high precision
- ◆ Load-independent flow division ( LUDV ) for handling movements offers excellent stability and smoothly
- ◆ Electro-hydraulic proportional control leads to outstanding accurate movements and easily operation.



Good field of vision



Cabin



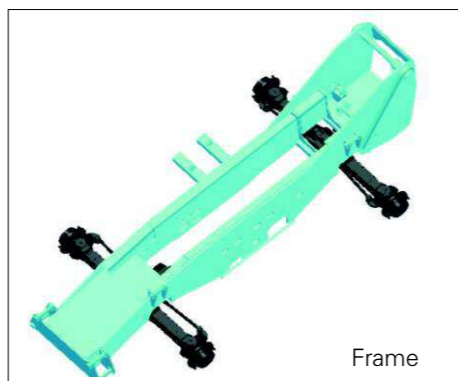
Panel



Outrigger



Joystick



Frame



Boom

**Boom**

Our SWTH series are equipped with an innovative new three-section boom, Simple and modern in design. Welding technology of high strength low-alloy steel performs light but stronger.

**Sliding block**

Advanced Nylon slide block leads to expanding working life and easy maintenance.

**Telescopic Mechanism**

Best in class chain ensure long working life and safety.

**Classis**

Superior stability and excellent anti-torque thanks to high tensile steel of fully-weld technology.

**Cab**

Compliance with ISO ROPS and FOPS.

**Space**

Spacious interior operator cab and deluxe decoration.

**View**

Broad visibility from each interior side.

**Joystick**

Multi-purpose electro-hydraulic proportional joystick control system ensure easy operation.

**Seat**

Adjustable suspension seat.

**Display**

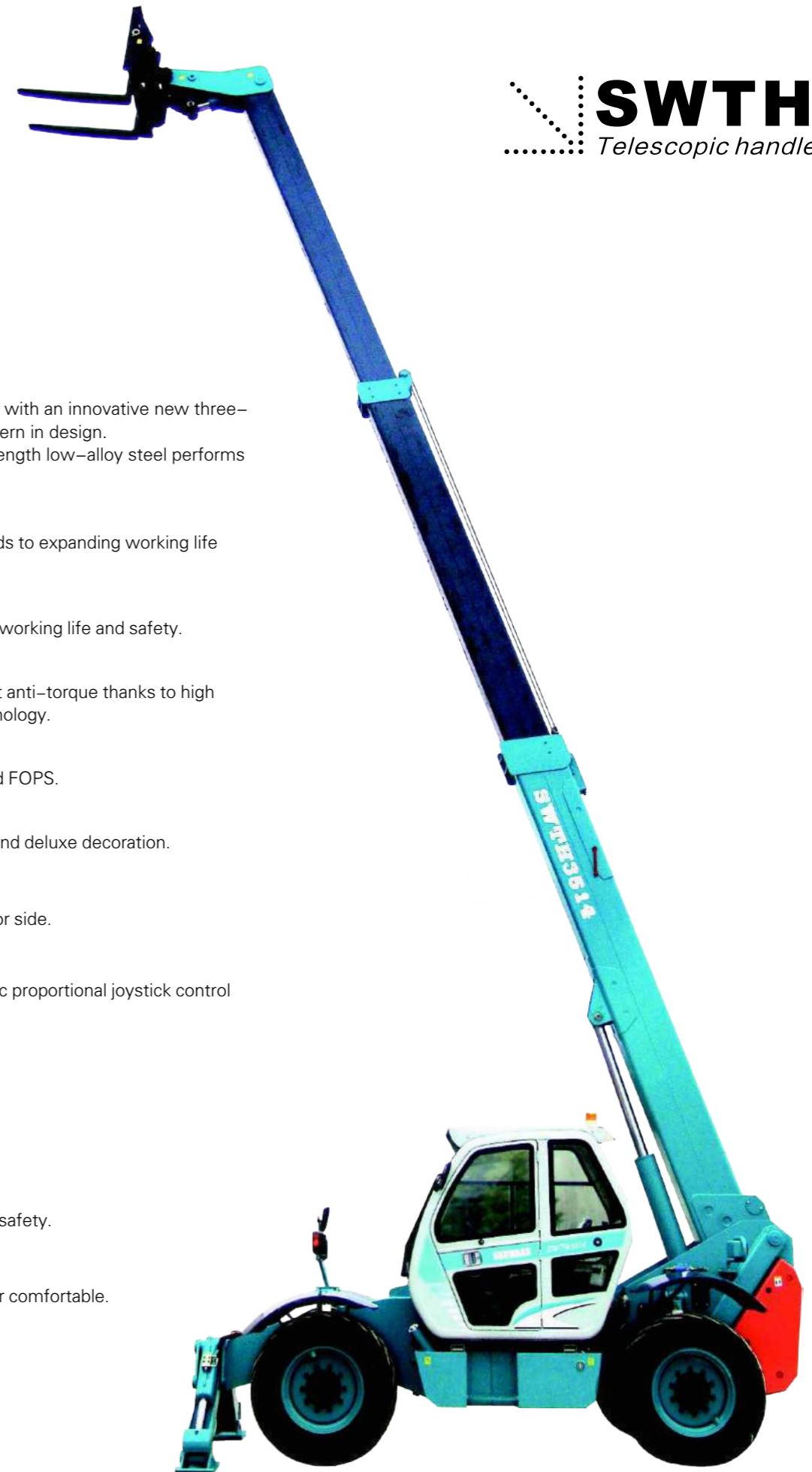
Easy-to-read instrumentation.

**Caution light**

Standard with warning light for safety.

**Air conditioner**

Standard with air conditioner for comfortable.

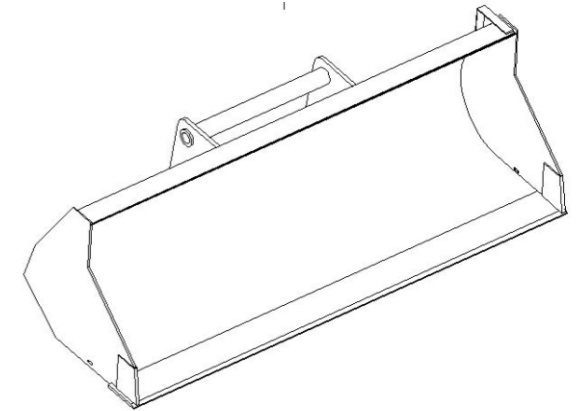




## OPTIONAL ATTACHMENTS

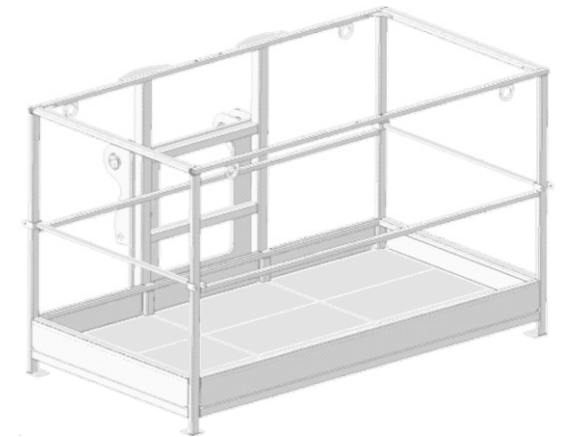
### Bucket

Dimension: LXWXH	2300X975X806
Weight	372 kg
Buck capacity	1000 L
Applied model	SWTH3509/SWTH3514 SWTH3910/SWTH3915



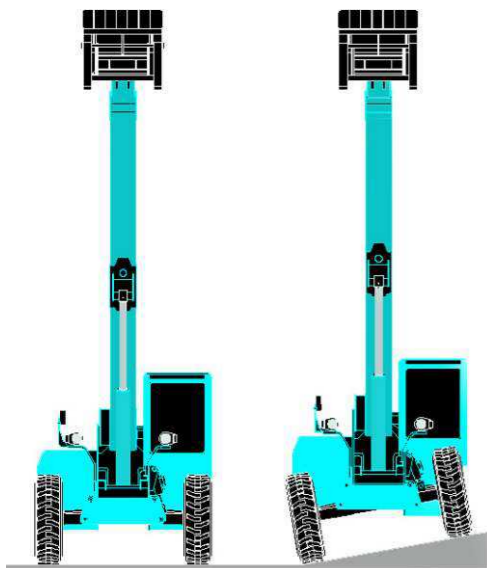
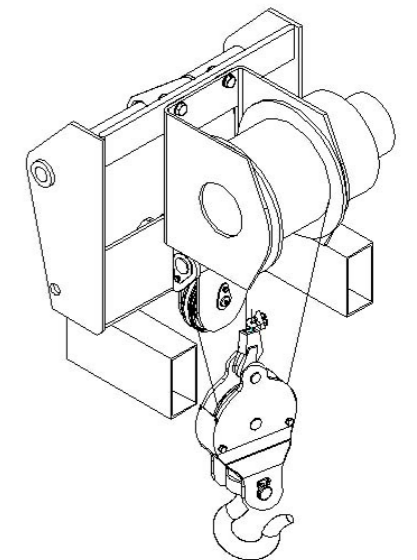
### Nacelle

Dimension: LXWXH	2210X1466X1306
Weight	470 kg
Rated load	365 kg
Applied model	SWTH3509/SWTH3514 SWTH3910/SWTH3915



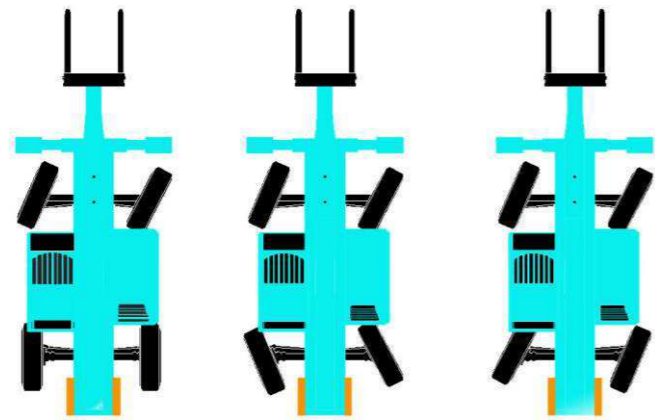
### Hydraulic winch

Dimension: LXWXH	1600X794X705
Weight	411 kg
Rated load	3500 kg
Applied model	SWTH3509/SWTH3514 SWTH3910/SWTH3915

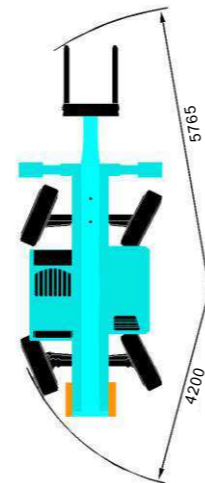


Frame levelling mechanism

Front steering wheels      4 steering wheels      Crab steering



Three modes steering



Turning radius

## SWTH3509/3514

Dimensions (LxWxH) ..... 6464x2320x2550mm  
 7530x2320x2550mm  
 Operating weight ..... 9472/10650kg  
 Max. lifting capacity ..... 3500kg  
 Max. lifting height ..... 9000/13750mm  
 Max. reach ..... 4900/9700mm  
 Tipping load at max.reach ..... 2800/1430kg  
 Distance of load center ..... 500mm  
 Outside turning radius ..... 4200mm  
 Traction force ..... 80kN

### Cycle Time

Lift time-without load ..... 16s  
 Lower time-without load ..... 12s  
 Telescope in, time at max.reach-without load ..... 17s  
 Telescope in, time at max.height-without load ..... 16s  
 Telescope out, time at max.reach-without load ..... 22s  
 Telescope out, time at max.height-without load ..... 24s

### Engine

Model ..... Perkins  
 Type ..... 1104D-E44T  
 Power ..... 74.5kW/2200rpm  
 Max. torque ..... 412N.m/1400rpm  
 Injection ..... Direct injection  
 Cooling ..... Water cooled

### Transmission System

Transmission ..... Hydrostatic  
 Number of speed ..... 2/2  
 Max. travel speed ..... 35km/h  
 Gradeability ..... 60%

## PARAMETERS

### Hydraulic System

Pistons pump with capacity at max.speed ..... 63ml/r  
 Max. working pressure ..... 265bar  
 Joystick ..... 4 in 1

### Capacities

Hydraulic oil ..... 190L  
 Fuel ..... 140L  
 Engine oil ..... 6.5L  
 Engine coolant ..... 16L

### Tyres ..... 405/70-24

### Forks

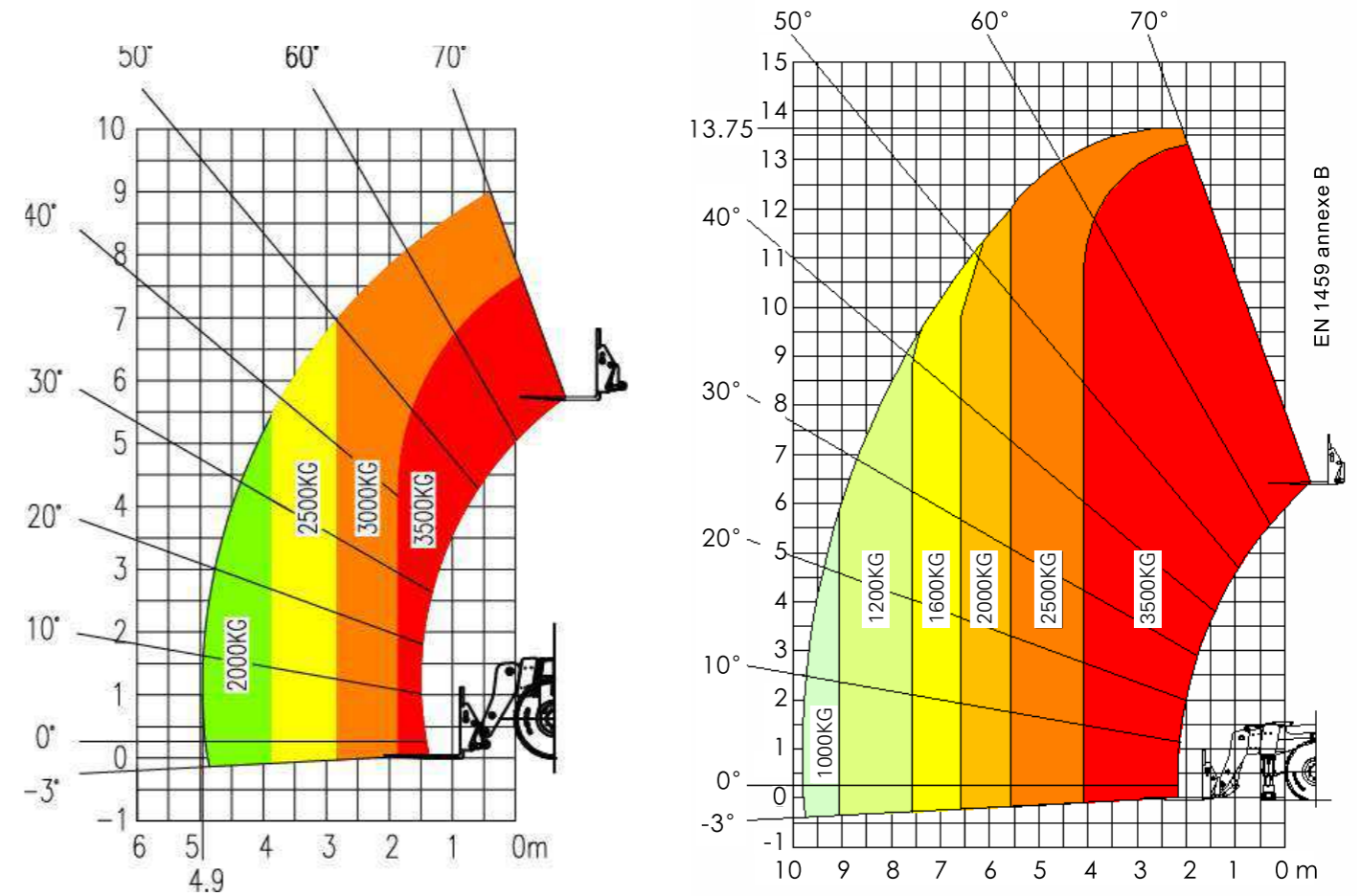
LengthxWidthxThickness ..... 1200x120x45mm  
 Max. distance between forks ..... 1040mm  
 Rotation ..... 126°

## DIMENSION

### SWTH3514

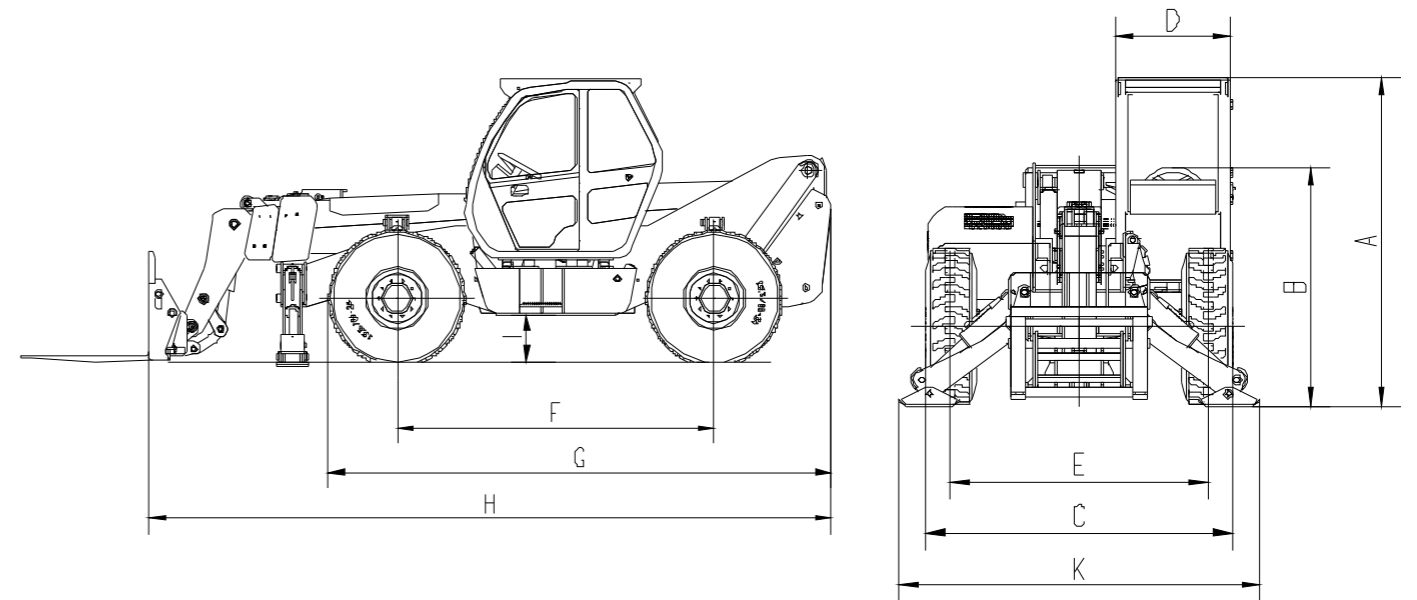
A	Height	2550 mm
B	Steering wheel height	1850~1900 mm
C	Width	2320 mm
D	Cab width	940 mm
E	Track width	1916 mm
F	Wheel base	2950 mm
G	Length to front wheels	4668 mm
H	Length without fork	6335 mm
I	Ground clearance	450 mm
K	Width for outrigger extended	2935 mm

Load and Dimensions Chart



SWTH3509

SWTH3514



## SWTH3910/3915

## PARAMETERS

Dimensions (LxWxH) ..... 7215x2320x2450mm  
 7366x2320x2450mm  
 Operating weight ..... 10600/12800kg  
 Max. lifting capacity ..... 4000kg  
 Max. lifting height ..... 10200/14460mm  
 Max. reach ..... 5125/9700mm  
 Tipping load at max.reach ..... 2800/1400kg  
 Distance of load center ..... 500mm  
 Outside turning radius ..... 5060mm  
 Traction force ..... 40kN

### Capacities

Hydraulic oil ..... 180L  
 Fuel ..... 140L  
 Cooling system ..... 15L  
 Engine oil ..... 13L

### Tyres

Front ..... 15.5-25-16PR  
 Rear ..... 9.00-20-11PR

### Forks

LengthxWidthxThickness ..... 1200x120x45mm  
 Max. distance between forks ..... 956mm  
 Rotation ..... 117°

### Cycle Time

Lift time-without load ..... 9s  
 Lower time-without load ..... 10s  
 Telescope in, time at max.reach-without load ..... 20s  
 Telescope out, time at max.reach-without load ..... 16s

### Engine

Type ..... CY610BG  
 Power ..... 81kW/2500rpm  
 Max. torque ..... 353N.m/1600~1400rpm  
 Injection ..... Direct injection  
 Cooling ..... Water cooled

### Transmission System

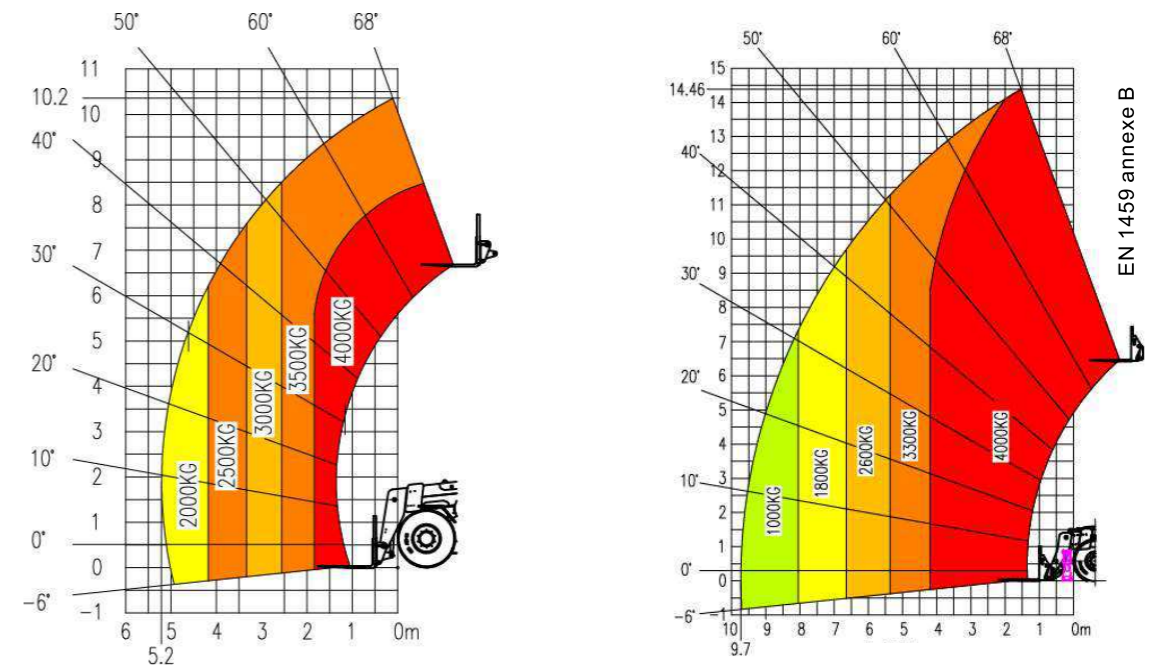
Transmission ..... Hydraulic  
 Number of speed ..... 2/2  
 Max. travel speed ..... 36km/h  
 Gradeability ..... 30%

## DIMENSION

### SWTH3915

A	122mm	J	940mm
B	1520mm	K	1200mm
C	3300mm	L	7366mm
D	5420mm	M	29°
E	6310mm	R	5060mm
F	300mm	X	105°
G	24°	Y	12°
H	2450mm	N	1875mm
I	2085mm	W	2320mm

Load and Dimensions Chart



SWTH3910

SWTH3915

