



## Excavator SWE 210

Operating Weight	21.3t(steel track)
Engine Power	110kW/2100rpm
Engine Brand	ISUZU
Standard Bucket Capacity	0.95m <sup>3</sup>
Max. Digging Depth	6.69m



### Excavator SWE210

#### Parameter

##### ENGINE

Brand	ISUZU
Model	6BGITRP-03
Type	6-cylinder 4-stroke water-cooled
Displacement	6.494L
Power	110kW/2100rpm

##### ELECTRIC SYSTEM

Nominal Voltage	24V
Batteries	12V-120Ah
Alternator	24V-50A
Starter	24V-4.5kW

##### DRIVE

Max. Travel Speed (2nd/1st)	4.9/3.1km/h
Gradeability	35°
Max. Traction	193kN

##### UNDERCARRIAGE

Undercarriage Width	2800mm
Tumbler Distance	3465mm
Track Length	4260mm
Shoe Width	600mm

##### DIMENSIONS

Counterweight Clearance	1060mm
Tail Swing Radius	2750mm
Shipping Length	9590mm
Shipping Width	2800mm
Shipping Height	3045mm

##### WORKING RANGES

Max. Cutting Height	9740mm
Max. Loading Height	6980mm
Max. Digging Depth	6690mm
Max. Vertical Wall Digging Depth	6040mm
Max. Digging Reach	9950mm
Max. Reach at Ground Level	9785mm
Bucket Digging Force	154kN
Stick Digging Force	110kN
Ground Pressure	43.2kPa
Swing Speed	11.8rpm

##### CAPACITY

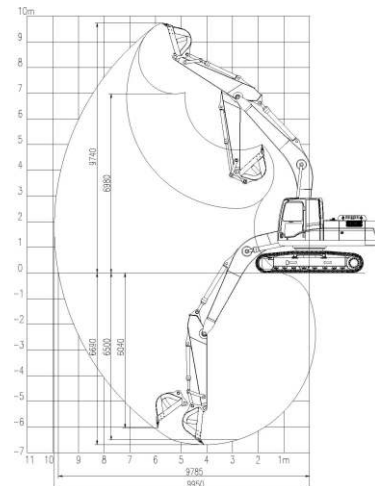
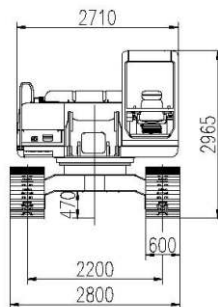
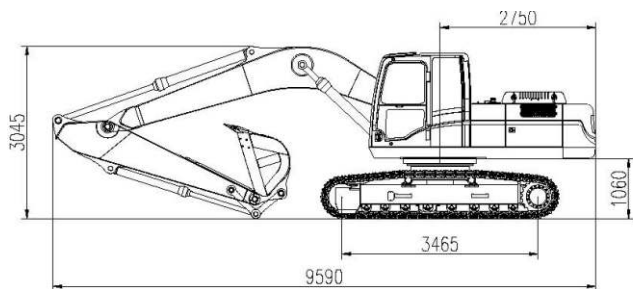
Fuel Tank	370L
Hydraulic Oil Tank	250L

##### HYDRAULIC SYSTEM

Main Pumps	
Type	2 piston pumps
Displacement	2x234L/min
Working Pressure	32.4/34.3MPa

# Excavator SWE 210

## Working Ranges



## Load Capacity

A(m) B(m)	MAX		8m		7m		6m		5m		4m		3m		2m	
	Front(kg)	Side(kg)	Front(kg)	Side(kg)	Front(kg)	Side(kg)	Front(kg)	Side(kg)	Front(kg)	Side(kg)	Front(kg)	Side(kg)	Front(kg)	Side(kg)	Front(kg)	Side(kg)
8.0	3210	3210	—	—	—	—	—	—	—	—	—	—	—	—	—	—
7.0	2920	2920	—	—	—	—	4110	3960	—	—	—	—	—	—	—	—
6.0	2790	2590	—	—	4220	2910	4180	3970	—	—	—	—	—	—	—	—
5.0	2730	2240	—	—	4330	2900	4500	3900	—	—	—	—	—	—	—	—
4.0	2760	2010	3720	2150	4610	2840	5000	3780	5640	5200	6720	6720	—	—	—	—
3.0	2840	1880	3680	2110	4690	2760	5600	3640	6610	4940	8450	7090	—	—	—	—
2.0	2980	1810	3630	2070	4590	2670	5960	3490	7560	4690	10030	6620	—	—	—	—
1.0	3190	1790	3580	2020	4500	2590	5820	3360	7880	4480	11060	6300	—	—	—	—
0.0	3310	1840	3540	1980	4130	2520	5710	3260	7720	4350	11430	6140	—	—	—	—
-1.0	3500	1950	3530	1970	4390	2490	5640	3200	7640	4280	11370	6100	7970	7970	—	—
-2.0	3840	2160	—	—	4380	2480	5630	3190	7630	4270	11190	6120	11410	10090	8110	8110
-3.0	4430	2520	—	—	4440	2530	5660	3220	7680	4310	10490	6200	13510	10250	11580	11530
-4.0	5390	3170	—	—	—	—	5740	3320	7410	4410	9310	6340	11850	10490	15850	15850
-5.0	5270	4560	—	—	—	—	—	—	5360	4620	7270	6570	9280	9280	—	—

## Notes:

- 1) Load with \* is limited by hydraulic capacity and based on ISO 10567. Rated loads do not exceed 87% of hydraulic capacity.
- 2) Load without \* is limited by tipping load and based on ISO 10567. Rated loads do not exceed 75% of tipping load.

### ■ SUNWARD INTELLIGENT EQUIPMENT CO.,LTD.

Add: Sunward Intelligent Industrial Park, Xingsha, Changsha, 410100, China.

Tel: (0086-731) 83572 828 Fax: (0086-731) 83572 661

E-mail: international@sunward.com.cn

Web: www.sunward.com.cn

### ■ SUNWARD EUROPE HEAVY INDUSTRY NV

Add: Nijverheidspark 3, 3580 Beringen, Belgium

Tel: (0032-011) 434666

E-mail: eu@sunward.cc

