



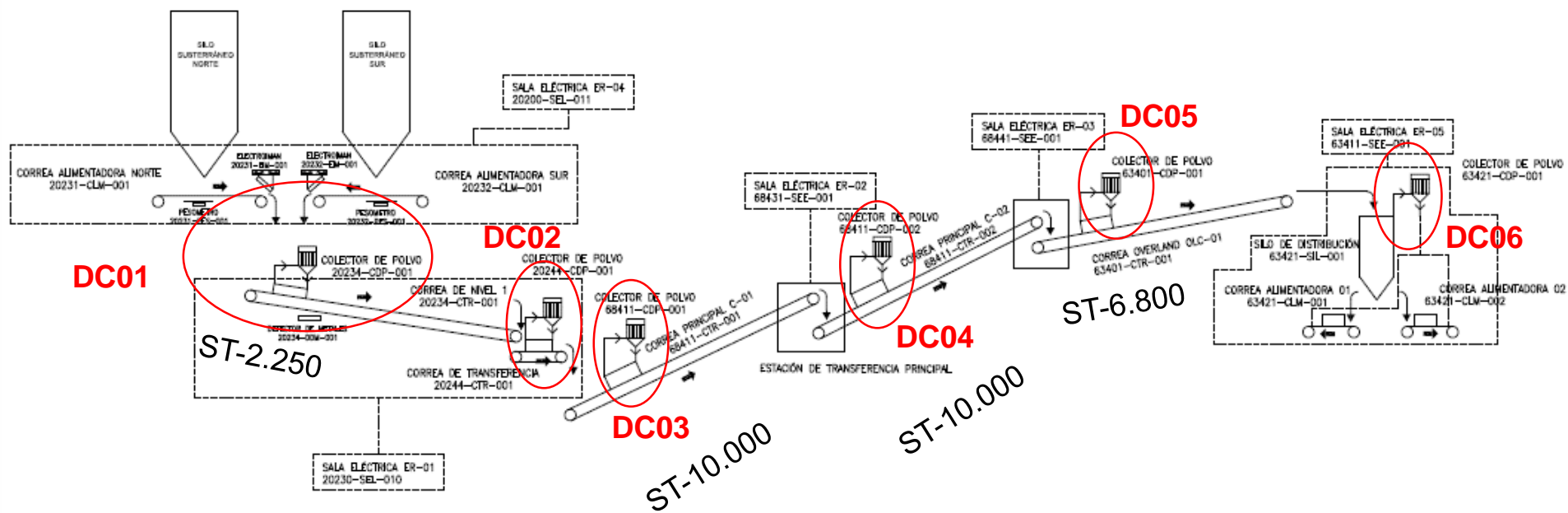
Breathe the Difference

Systematic Industrial Dedusting

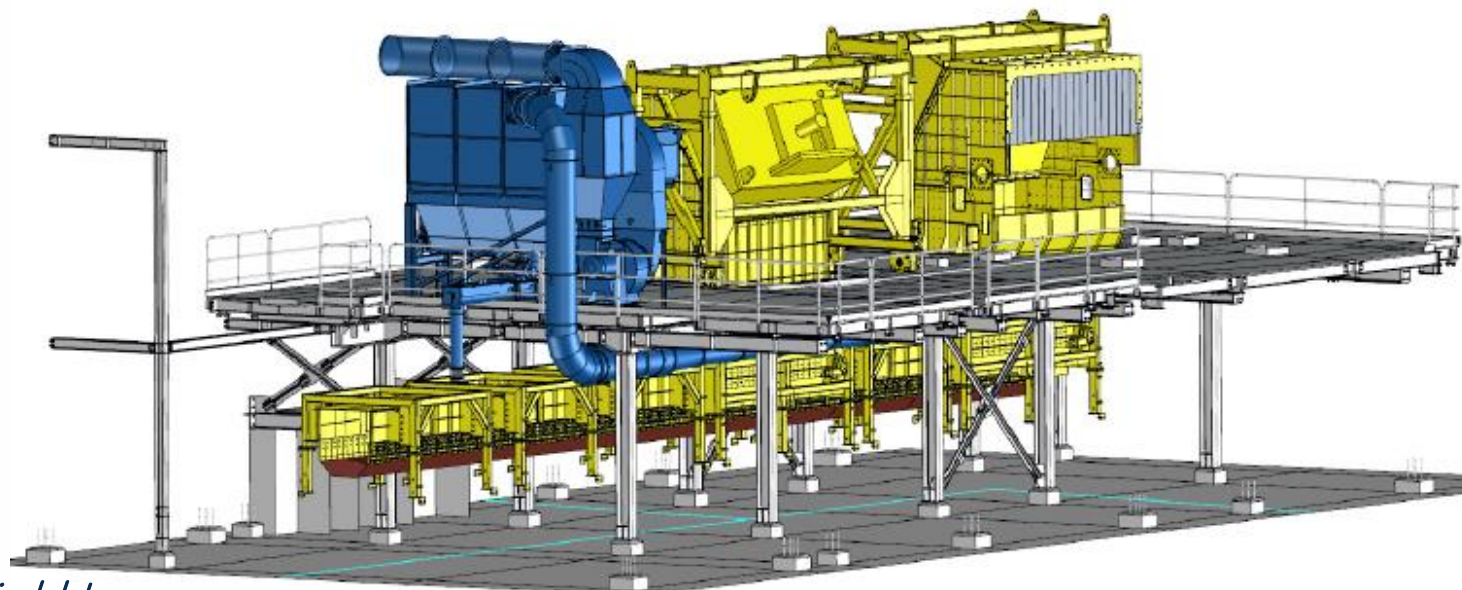


- Massive underground mineral conveyor system.
- 6 Transference points
- Mineral properties:
 - Material: Primary crushed copper ore.
 - Maximum lump size: 371 mm
 - Humidity: 3% (dry)
 - Bulk density: 1,6 t/m³
 - Density: 2,8 t/m³
 - Repose angle: 37°
 - Reclaim angle: 65°
 - Conveyor Belt Width: 1.800 mm
 - Conveyor Speed: 7 m/s
 - Conveyor Capacity: 11.000 t/h.

Chuquicamata Subterránea



Chuquicamata Subterránea DC01



Technical data

Type : CJF-BVC 28/1200-28/1-3

Application : Mineral dust from double belt transfer.

Volume flow max. : 22.500 m³/h

Operation temperature : +10/+40 ° C

Elevation : 3.000 m

Dust load assumed : 10-70** g/m³

Humidity rel. : n. n. %

Number filter elements : 42 piece

Filtre surface : 235 m²

Air to cloth ratio < : 1,59 m/min

Filtration efficiency : 99% for PM5, and 98% for PM2

Filter element size : 45x800 mm Length : 1,2 m

Cleaning device : 460 V AC/ 115 V DC time/ Δ p controlled

Press. air consumption max. : 15 Nm³/h Pressure : 5 bar

Water consumption max. : 0,125 m³/h Supply capacity : 1 m³/h

Water pressure : 6-16 bar

Power consumption total : 45* kW Voltage : 460 V

Material filter elements : CF PE micro fibre

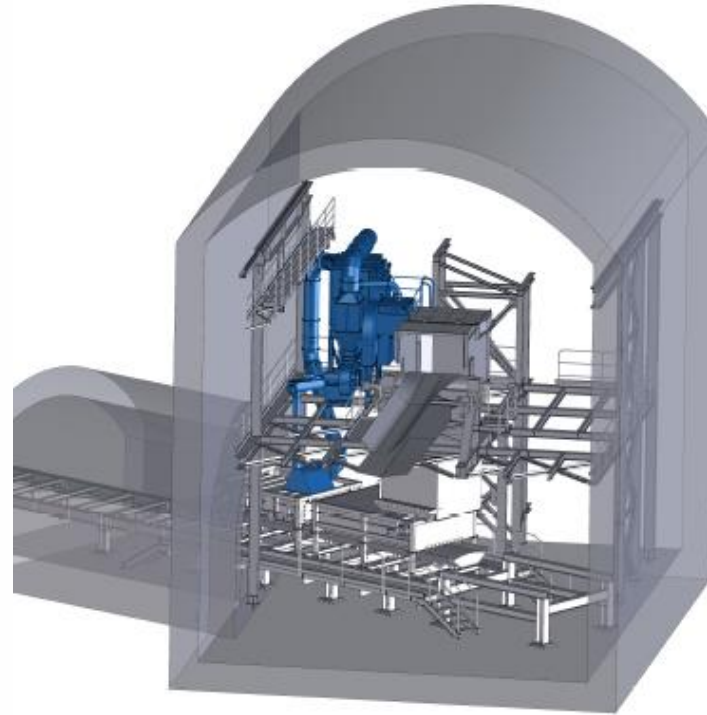
Material filter housing : 3-5 mm St 37

Total weight approx. : 6.400 kg

Pre-comisionamiento DC01



Chuquicamata Subterránea DC02



Technical data

Type : CJF-BVC 43/1200-14/1-2

Application : Mineral dust from single belt transfer

Explosion protection : n. a.

Volume flow max. : 12.000 – 15.00 m³/h

Operation temperature : +10/+40 ° C

Elevation : 3.000 m

Dust load assumed : 10-70** g/m³

Number filter elements : 28 piece

Filter surface : 120,5 m²

Air to cloth ratio < : 1,66 m/min

Filtration efficiency : 99% for PM5, and 98% for PM2

Filter element size : 45x800 mm Length : 1,2 m

Cleaning device : 460 V AC/ 115 V DC time/ Δ p controlled

Press. air consumption max. : 10 Nm³/h Pressure : 5 bar

Water consumption max. : 0,125** m³/h Supply capacity : 1 m³/h

Water pressure : 6-16 bar

Power consumption total : 22* kW Voltage : 460 V

Material filter elements : CF PE micro fibre

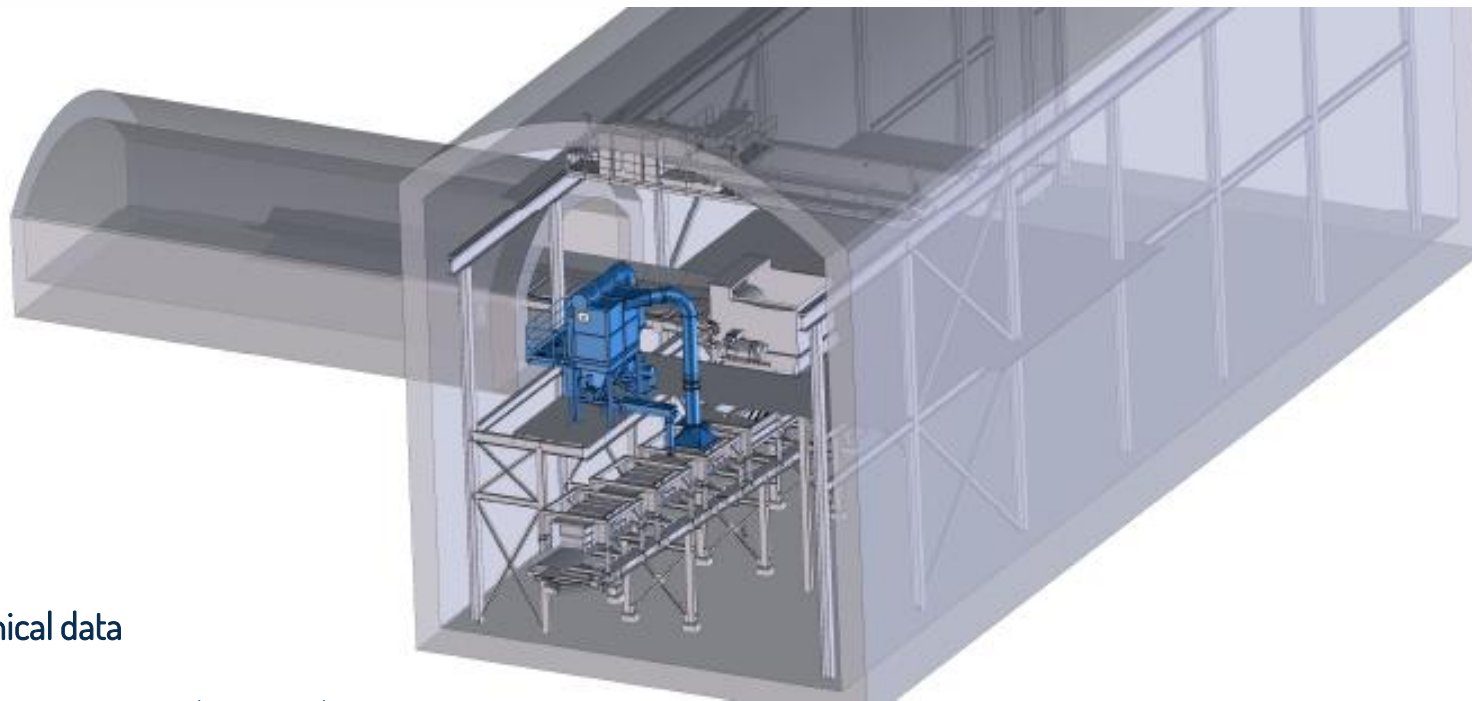
Material filter housing : 3-5 mm St 37

Total weight approx. : 4.400 kg/unit

Pre-comisionamiento DC02



Chuquicamata Subterránea DC03



Technical data

Type : CJF-BVC 43/1200-14/1-2

Application : Mineral dust from single belt transfer

Explosion protection : n. a.

Volume flow max. : 12.000 – 15.00 m³/h

Operation temperature : +10/+40 ° C

Elevation : 3.000 m

Dust load assumed : 10-70** g/m³

Number filter elements : 28 piece

Filter surface : 120,5 m²

Air to cloth ratio < : 1,66 m/min

Filtration efficiency : 99% for PM5, and 98% for PM2

Filter element size : 45x800 mm Length : 1,2 m

Cleaning device : 460 V AC/ 115 V DC time/ Δ p controlled

Press. air consumption max. : 10 Nm³/h Pressure : 5 bar

Water consumption max. : 0,125** m³/h Supply capacity : 1 m³/h

Water pressure : 6-16 bar

Power consumption total : 22* kW Voltage : 460 V

Material filter elements : CF PE micro fibre

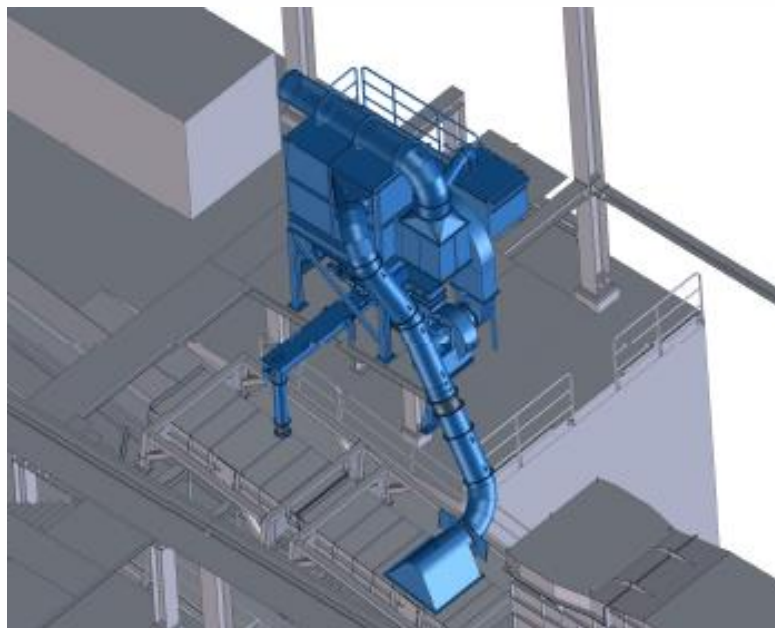
Material filter housing : 3-5 mm St 37

Total weight approx. : 4.400 kg/unit

Pre-comisionamiento DC03



Chuquicamata Subterránea DC04



Technical data

Type : CJF-BVC 43/1200-14/1-2

Application : Mineral dust from single belt transfer

Explosion protection : n. a.

Volume flow max. : 12.000 – 15.00 m³/h

Operation temperature : +10/+40 ° C

Elevation : 3.000 m

Dust load assumed : 10-70** g/m³

Number filter elements : 28 piece

Filter surface : 120,5 m²

Air to cloth ratio < : 1,66 m/min

Filtration efficiency : 99% for PM5, and 98% for PM2

Filter element size : 45x800 mm Length : 1,2 m

Cleaning device : 460 V AC/ 115 V DC time/ Δ p controlled

Press. air consumption max. : 10 Nm³/h Pressure : 5 bar

Water consumption max. : 0,125** m³/h Supply capacity : 1 m³/h

Water pressure : 6-16 bar

Power consumption total : 22* kW Voltage : 460 V

Material filter elements : CF PE micro fibre

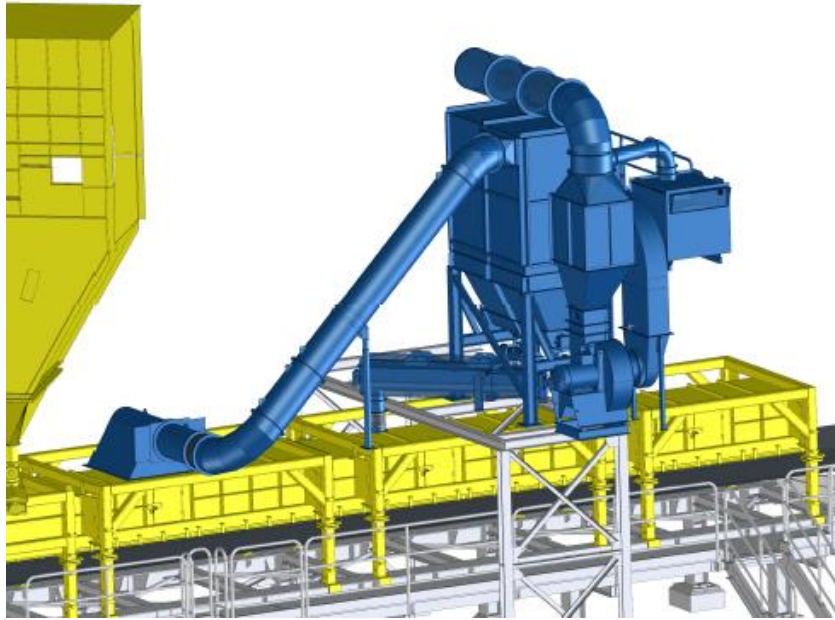
Material filter housing : 3-5 mm St 37

Total weight approx. : 4.400 kg/unit

Pre-comisionamiento DC04



Chuquicamata Subterránea DC05



Technical data

Type : CJF-BVC 43/1200-14/1-2

Application : Mineral dust from single belt transfer

Explosion protection : n. a.

Volume flow max. : 12.000 – 15.00 m³/h

Operation temperature : +10/+40 ° C

Elevation : 3.000 m

Dust load assumed : 10-70** g/m³

Number filter elements : 28 piece

Filter surface : 120,5 m²

Air to cloth ratio < : 1,66 m/min

Filtration efficiency : 99% for PM5, and 98% for PM2

Filter element size : 45x800 mm Length : 1,2 m

Cleaning device : 460 V AC/ 115 V DC time/ Δp controlled

Press. air consumption max. : 10 Nm³/h Pressure : 5 bar

Water consumption max. : 0,125** m³/h Supply capacity : 1 m³/h

Water pressure : 6-16 bar

Power consumption total : 22* kW Voltage : 460 V

Material filter elements : CF PE micro fibre

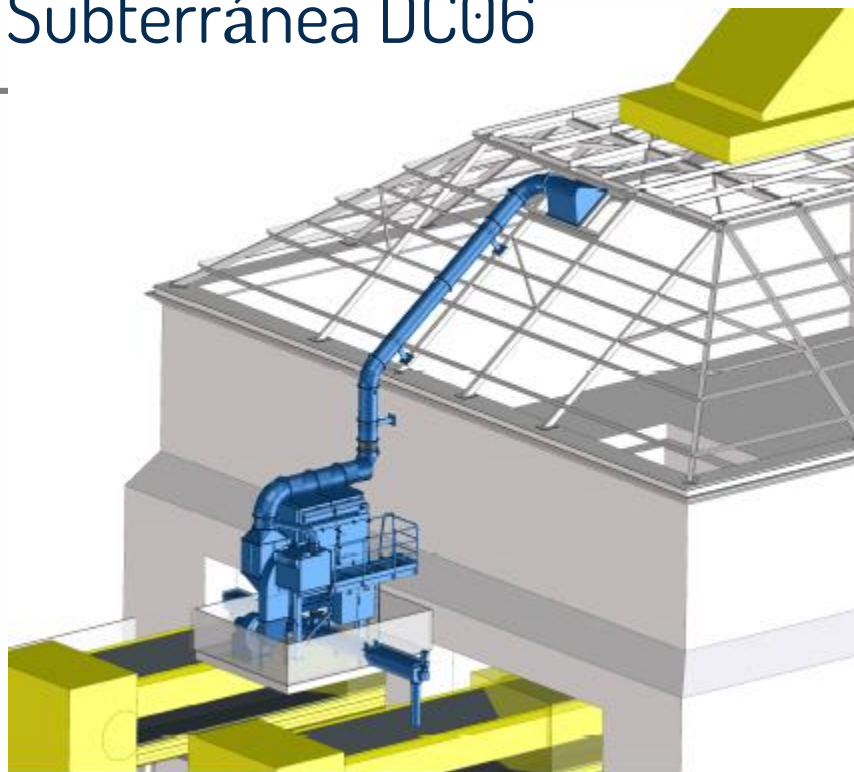
Material filter housing : 3-5 mm St 37

Total weight approx. : 4.400 kg/unit

Pre-comisionamiento DC05



Chuquicamata Subterránea DC06



Technical data

Type : CJF-BVC 43/1200-14/1-2

Application : Mineral dust from single belt transfer

Explosion protection : n. a.

Volume flow max. : 18.00 m³/h

Operation temperature : +10/+40 ° C

Elevation : 3.000 m

Dust load assumed : 10-70** g/m³

Number filter elements : 28 piece

Filter surface : 120,5 m²

Air to cloth ratio < : 1,66 m/min

Filtration efficiency : 99% for PM5, and 98% for PM2

Filter element size : 45x800 mm Length : 1,2 m

Cleaning device : 460 V AC/ 115 V DC time/ Δ p controlled

Press. air consumption max. : 10 Nm³/h Pressure : 5 bar

Water consumption max. : 0,125** m³/h Supply capacity : 1 m³/h

Water pressure : 6-16 bar

Power consumption total : 22* kW Voltage : 460 V

Material filter elements : CF PE micro fibre

Material filter housing : 3-5 mm St 37

Total weight approx. : 4.400 kg/unit

Pre-comisionamiento DC06





Breathe the Difference

Systematic Industrial Dedusting

