



HTH



MAGNI TH, OUR EXPERTISE AND RELIABILITY FOR YOUR NEEDS

Magni TH team expertise has been exploited for the development and creation of a specific range of heavy duty machines, the HTH RANGE.

These machines have been specifically designed for quarries, mining, oil and gas and heavy industry since their lifting capacity goes from 10 tons up to 45 tons.

A specific range of attachments has been developed too, in order to provide the great versatility of these machines, giving the opportunity to the customers to choose the best solution for their needs.

The great potential of our machines is also underlined by the attention given to the development of the cabin, which has been completely designed taking into consideration the operator needs, safety and comfort.



HTH 10.10



HTH 16.10



HTH 24.11



HTH 27.11



HTH 30.12



HTH 35.12



HTH 45.14

Cabin Design



FULL VISIBILITY CAB

The innovative design of Magni cab has been developed to grant the comfort and safety (ROPS\FOPS certification) of the operator and to make the maneuvering of the machine plain and simple.

The cabin has a full visibility, since it has a large windshield that allows the operator to look at

the load even when it is suspended on his head or when the boom is completely lowered.

The movable steering column allows the operator to get easily in and out and achieve an excellent driving position.

The fully enclosed and airtight cab is fully pressurized and provided with 100% inlet air filtration.

Heating and cold air conditioning is part of the standard equipment for all models.

A user friendly touch screen display, also usable through an automotive style joystick, is used for the control of the whole machine.



TOUCH SCREEN DISPLAY

The display has been thought to control all the functions of the machines in the most simple and intuitive way, since it is interfacing to the operator with written messages and not alphanumeric codes.

Just with the touch of a finger is possible to visualize dynamic load charts, drive page, air conditioning and options.

Moreover is available a complete integrated diagnostic that, in case of electronic and software failures, reduces after sales costs, time of machine stop and allows remote assistance.



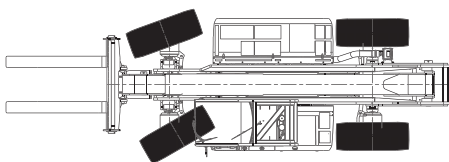


REMOTE CONTROL

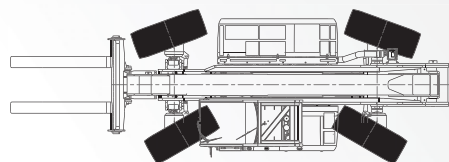
The remote control of Magni can be used to control the boom movement and reproduces the joystick controls in the cabin. Also the attachments, can be wireless managed with the remote control, granting the total safety of the operator that can stand apart from the machine reducing the risk of injuries.



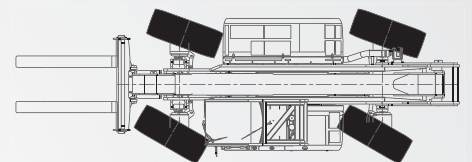
3 TYPES OF STEERING



Front steering



Round steering



Crab steering

Performances



ENGINE

From 108 kW/146 hp to 240 kW/320 hp.
The engine compartment is completely accessible on all sides for maintenance.

TRANSMISSION

10.10/16.10/24.11/27.11 hydrostatic with 2 speeds (forward and reverse).
30.12/35.12 fully automatic shifting gearbox with 3 speeds (forward and reverse)
Both allow safe, precise and millimetric movements.



2,6t (5m)-4,2t (5m)-7



10-11-12-14
Max. height



10-16-24-27-30-35-45
Lifting capacity (ton)



6t (6m)-7,5t (6,5m)-8t (6,9m)-9t (6,9m)-12t (8m)
Capacity in ton at max. reach



QUICK FIT SYSTEM

All the machines are provided with this patented quick fit, that permits the attachments to be fitted on the machine in a stable and trustworthy manner. The system is also equipped with automatic recognition of the fitted attachment



AXLES

The machines heavy duty axles with hydraulic servo-assisted multidisc brake in oil bath, with heavy duty 4 stage epicyclic reduction.

It is also present a negative parking brake to grant the stability of the machine when parked.



ROUGH TERRAIN

All the machines are equipped with 4 wheel drive and steering high ground clearance, that makes the machine extremely safe and stable even in the most bumpy rough terrain.

Versatility

The great potential of Magni machines is completely achieved by choosing the right attachment among all the possible options given.

It is in fact true, that all attachments are interchangeable giving the possibility to have one machine that can perform more than one task.

ATTACHMENTS OPTIONS

FORKS

STANDARD



10 Ton
16 Ton
24 Ton
30 Ton
35 Ton
45 Ton

WITH POSITIONER



10 Ton
16 Ton
24 Ton
27 Ton
30 Ton
35 Ton
45 Ton

WITH POSITIONER AND SIDE SHIFT



24 Ton
27 Ton
30 Ton
35 Ton

HOOK

SHORT



10 Ton
16 Ton
24 Ton
27 Ton
30 Ton
35 Ton
45 Ton

LONG



30 Ton
35 Ton
45 Ton

WHEEL HUB HANDLER



22 Ton

TYRES CLAMP



8 Ton



16 Ton

CYLINDER CLAMP



11 Ton

HUB WITH SUSPENSION CYLINDER HANDLER



9 Ton (hub + suspension cylinder)
7 Ton (just cylinder)

CONVEYOR BELTS HANDLER





Technical data

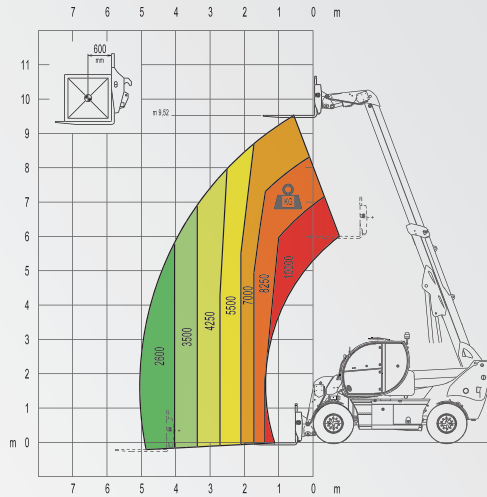


	HTH10.10	HTH16.10	HTH24.1	HTH27.1
LIFT CAPACITY	10.000 Kg at 600 mm load center	16.000 Kg at 600 mm load center	24.000 Kg at 900 mm load center	27.000 Kg at 1.200 mm load center
MAXIMUM LIFTING HEIGHT	9,52 m	9,70 m	10,55 m	10,85 m
MAXIMUM REACH	5,05 m	5,10 m	5,65 m	6,60 m
FORKS	Fork carriage with forks positioner 1.750 mm length Forks 200x60x1.200 mm	Fork carriage with forks positioner device 1.950 mm width Forks 200 x 80 x 1.500 mm	Fork carriage with forks positioner device 2.000 mm width Forks 250 x 100 x 2.400 mm	Fork carriage with forks positioner device 2.000 mm width Forks 300 x 115 x 2.400 mm
CAB	FOPS-ROPS tested hermetic cab with protectors Front, rear and upper wiper Headlights for road circulation, flashing beacon Rear view mirrors Heating - Air conditioning	FOPS-ROPS tested hermetic cab with protectors Front, rear and upper wiper Headlights for road circulation, flashing beacon Rear view mirrors Heating - Air conditioning	FOPS-ROPS tested hermetic cab with protectors Front, rear and upper wiper Headlights for road circulation, flashing beacon Rear view mirrors Heating - Air conditioning	FOPS-ROPS tested hermetic cab with protectors Front, rear and upper wiper Headlights for road circulation, flashing beacon Rear view mirrors Heating - Air conditioning
CONTROLS	Multi-function electro proportional joystick	Multi-function electro proportional joystick	Multi-function electro proportional joystick	Multi-function electro proportional joystick
BRAKE SYSTEM	Hydraulic servo-assisted multidisc brake in oil bath on both axles, with double circuit Negative parking brake	Hydraulic servo-assisted multidisc brake in oil bath on both axles, with double circuit Negative parking brake	Hydraulic servo-assisted multidisc brake in oil bath on both axles, with double circuit Negative parking brake	Hydraulic servo-assisted multidisc brake in oil bath on both axles, with double circuit Negative parking brake
ENGINE	Deutz TCD 3.6 L4 Stage IV Turbo intercooler 4 cylinders / 3.600 cm3 Power 100 KW - 136 HP at 2.300 rpm Max rpm = 2.200-2.300 Max torque 500 Nm at 1.400 rpm Diesel turbocharged Liquid cooling system	Mercedes OM 934 LA Stage IV Turbo intercooler 4 cylinders / 5.130 cm3 Power 176 HP – 129KW Max rpm = 1.200 Max torque 750 Nm at 1.200 rpm Electronic injection (single pump each injector) Water + intercooler	Mercedes OM 934 LA Stage IV Turbo intercooler 4 cylinders / 4.800 cm3 Power 204 HP – 150 KW Max rpm = 2.200 Max torque 800 Nm at 1.200-1.600 rpm Electronic injection (single pump each injector) Liquid + intercooler cooling system	Mercedes OM 934 LA Stage IV Turbo intercooler 4 cylinders / 4.800 cm3 Power 204 HP – 150 kW Max rpm = 2.200 Max torque 800 Nm at 1.200-1.600 rpm Electronic injection (single pump each injector) intercooler cooling system
AXLES	Heavy Duty with epicyclic reduction One steering cylinders each axle Levelling correction front axle at + 8° on the right and + 8° on the left 3 types of steering: - with front steering - with round steer - with crab steering Tilting rear axle	Heavy Duty with 2-stage epicyclic reduction One steering cylinder each axle Levelling correction front axle at + 8° on the right and + 8° on the left 3 types of steering: - with front steering - with round steer - with crab steering Tilting rear axle	Heavy Duty with 4-stage epicyclic reduction One steering cylinders each axle Levelling correction front axle at + 5° on the right and + 5° on the left 3 types of steering: - with front steering - with round steer - with crab steering Tilting rear axle	Heavy Duty with 4-stage epicyclic reduction One steering cylinders each axle Levelling correction front axle at + 5° on the right and + 5° on the left 3 types of steering: - with front steering - with round steer - with crab steering Tilting rear axle
PERFORMANCE	Max. travel speed: 40 km/h Drawbar pull: 88 kN Gradeability: 35% Turning radius (at wheels): 4.725 mm	Max. travel speed: 25 km/h Drawbar pull: 114 kN Gradeability: 35% Turning radius (at wheels): 5.510 mm	Max. travel speed: 25 km/h Drawbar pull: 180 kN Gradeability: 34% Turning radius (at wheels): 5.400 mm	Max. travel speed: 25 km/h Drawbar pull: 180 kN Gradeability: 30% Turning radius (at wheels): 8.225 mm
WEIGHTS	Total unladen: 13.900 kg Front axle unladen (boom retracted and lowered): 6.300 kg Rear axle unladen (boom retracted and lowered): 7.600 kg	Total unladen: 20.500 kg Front axle unladen (boom retracted and lowered): 9.000 kg Rear axle unladen (boom retracted and lowered): 11.500 kg	Total unladen: 29.700 kg Front axle unladen (boom retracted and lowered): 9.200 kg Rear axle unladen (boom retracted and lowered): 20.500 kg	Total unladen: 35.500 kg Front axle unladen (boom retracted and lowered): 12.700 kg Rear axle unladen (boom retracted and lowered): 22.800 kg
TRANSMISSION	Rexroth hydrostatics Variable displacement hydrostatic pump 85 cc with electronic control One variable displacement hydrostatic motor 115 cc Hydraulic gearbox with 2 speeds forward /reverse	Rexroth hydrostatics Variable displacement hydrostatic pump 110 cc with electronic control One variable displacement hydrostatic motor 150 cc Hydraulic gearbox with 2 speeds forward /reverse	Rexroth hydrostatics Variable displacement hydrostatic pump 110 cc with electronic control One variable displacement hydrostatic motor 170 cc Hydraulic gearbox with 2 speeds forward /reverse	Rexroth hydrostatics Variable displacement hydrostatic pump 110 cc with electronic control One variable displacement hydrostatic motor 170 cc Hydraulic gearbox with 2 speeds forward /reverse
HYDRAULIC CIRCUIT	Load sensing piston pump 60 cc 132 l/min Circuit at 350 bar Rexroth Proportional hydraulic distributor Suction and return line filters High pressure flexible hoses	Load sensing piston pump 60 cc 132 l/min Circuit at 350 bar Rexroth Proportional hydraulic distributor Suction and return line filters High pressure flexible hoses	Load sensing piston pump 75 cc 165 l/min Circuit at 350 bar Rexroth Proportional hydraulic distributor Suction and return line filters High pressure flexible hoses	Load sensing piston pump 75 cc 165 l/min Circuit at 350 bar Rexroth Proportional hydraulic distributor Suction and return line filters High pressure flexible hoses
TANKS CAPACITIES	Engine oil = 16 l cooling liquid = 25 l Ad Blue = 20 l Hydraulic oil tank = 210 l Fuel tank = 200 l	Engine oil = 16 l Cooling liquid = 25l Ad Blue = 40 l Hydraulic oil tank = 210 l Fuel tank = 200 l	Engine oil = 16 l cooling liquid = 25 l Ad Blue = 40 l Hydraulic oil tank = 210 l Fuel tank = 200 l	Engine oil = 16 l cooling liquid = 25 l Ad Blue = 40 l Hydraulic oil tank = 300 l Fuel tank = 300 l
TYRES DIMENSIONS	26,5 - R25 ** two each axle, driving and steering	16,00 - R25 ** two each axle, driving and steering Goodyear EV-3+	18,00 - R25 ** two each axle, driving and steering	26,5 - R25 ** two each axle, driving and steering
SAFETY	Electronic safety system which controls the load with definition of the lifted load, radius and comparison with the diagrams stored. Block of aggravating movements of the load. Safety valves on cylinders	Electronic safety system which controls the load with definition of the lifted load, radius and comparison with the diagrams stored. Block of aggravating movements of the load. Safety valves on cylinders	Electronic safety system which controls the load with definition of the lifted load, radius and comparison with the diagrams stored. Block of aggravating movements of the load. Safety valves on cylinders	Electronic safety system which controls the load with definition of the lifted load, radius and comparison with the diagrams stored. Block of aggravating movements of the load. Safety valves on cylinders

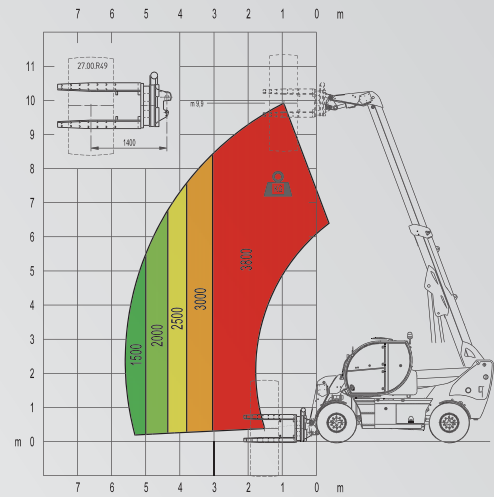
Technical data

LIFT CAPACITY		30.000 Kg at 1.200 mm load center		35.000 Kg at 1.200 mm load center		45.000 Kg at 1.200 mm load center
MAXIMUM LIFTING EIGHT		11,72 m		11,72 m		14,00 m
MAXIMUM REACH		6,86 m		6,86 m		8,00 m
FORKS		Fork carriage with forks positioner device 2.000 mm width Forks 300x115x2.400 mm		Fork carriage with forks positioner device 2.000 mm width Forks 320x115x2.400 mm		Fork carriage with forks positioner device Forks length 2.400 mm
CAB		FOPS-ROPS tested hermetic cab with protectors Front, rear and upper wiper Headlights for road circulation, flashing beacon Rear view mirrors Heating - Air conditioning		FOPS-ROPS tested hermetic cab with protectors Front, rear and upper wiper Headlights for road circulation, flashing beacon Rear view mirrors Heating - Air conditioning		FOPS-ROPS tested hermetic cab with protectors Front, rear and upper wiper Headlights for road circulation, flashing beacon Rear view mirrors Heating - Air conditioning
CONTROLS		Multi-function electro proportional joystick		Multi-function electro proportional joystick		Multi-function electro proportional joystick
BRAKE SYSTEM		Hydraulic servo-assisted multidisc brake in oil bath on both axles, with double circuit Negative parking brake		Hydraulic servo-assisted multidisc brake in oil bath on both axles, with double circuit Negative parking brake		Hydraulic servo-assisted multidisc brake in oil bath on both axles, with double circuit Negative parking brake
ENGINE		Mercedes OM 934 LA Stage IV Turbo intercooler 6 cylinders / 7.700 cm ³ Power 350 HP – 260 kW Max rpm = 1.200 Max torque 1.400 Nm at 1.200 rpm Electronic injection (single pump each injector) Liquid cooling system		Mercedes OM 934 LA Stage IV Turbo intercooler 6 cylinders / 7.700 cm ³ Power 350 HP – 260 kW Max rpm = 1.200 Max torque 1.400 Nm at 1.200 rpm Electronic injection (single pump each injector) Liquid cooling system		Mercedes OM 934 LA Stage IV Turbo intercooler 6 cylinders / 7.700 cm ³ Power 350 HP – 260 kW Max rpm = 1.200 Max torque 1.400 Nm at 1.200 rpm Electronic injection (single pump each injector) Liquid cooling system
AXLES		Heavy Duty with 2-stage epicyclic reduction Two steering cylinders each axle Levelling correction front axle at + 5° on the right and + 5° on the left 3 types of steering: - with front steering - with round steer - with crab steering Tilting rear axle		Heavy Duty with 2-stage epicyclic reduction Two steering cylinders each axle Levelling correction front axle at + 5° on the right and + 5° on the left 3 types of steering: - with front steering - with round steer - with crab steering Tilting rear axle		Heavy Duty with 2-stage epicyclic reduction Two steering cylinders each axle Levelling correction front axle at + 5° on the right and + 5° on the left 3 types of steering: - with front steering - with round steer - with crab steering Tilting rear axle
PERFORMANCE	HTH30.12	Max. travel speed: 25 km/h Drawbar pull: 365 kN Gradeability: 58% Turning radius (at wheels): 7.990 mm	HTH35.12	Max. travel speed: 25 km/h Drawbar pull: 365 kN Gradeability: 50% Turning radius (at wheels): 7.990 mm	HTH45.14	Max. travel speed: 20 km/h Drawbar pull: 390 kN Gradeability: 50% Turning radius (at wheels): 9.600 mm
WEIGHTS		Total unladen: 40.900 kg Front axle unladen (boom retracted and lowered): 18.700 kg Rear axle unladen (boom retracted and lowered): 22.200 kg		Total unladen: 45.000 kg Front axle unladen (boom retracted and lowered): 18.900 kg Rear axle unladen (boom retracted and lowered): 26.100 kg		Total unladen: 58.000 kg Front axle unladen (boom retracted and lowered): 22.900 kg Rear axle unladen (boom retracted and lowered): 35.100 kg
TRANSMISSION		Rexroth hydrostatics Variable displacement hydrostatic pump 175 cc with electronic control Two variable displacement hydrostatic motors Fully automatic shifting gearbox with 3 speeds forward/reverse Automatic disconnection of rear axle		Rexroth hydrostatics Variable displacement hydrostatic pump 175 cc with electronic control Two variable displacement hydrostatic motors Fully automatic shifting gearbox with 3 speeds forward/reverse Automatic disconnection of rear axle		Rexroth hydrostatics Variable displacement hydrostatic pump 175 cc with electronic control Two variable displacement hydrostatic motors Fully automatic shifting gearbox with 3 speeds forward/reverse Automatic disconnection of rear axle
HYDRAULIC CIRCUIT		Load sensing piston pump 95 cc 210 l/min Circuit at 350 bar Rexroth Proportional hydraulic distributor Suction and return line filters High pressure flexible hoses		Load sensing piston pump 95 cc 210 l/min Circuit at 350 bar Rexroth Proportional hydraulic distributor Suction and return line filters High pressure flexible hoses		Load sensing piston pump Circuit at 350 bar Rexroth Proportional hydraulic distributor Suction and return line filters High pressure flexible hoses
TANKS CAPACITIES		Engine oil = 29 l Ad Blue = 40 l cooling liquid = 25 l Hydraulic oil tank = 300 l Fuel tank = 300 l		Engine oil = 29 l Ad Blue = 40 l cooling liquid = 25 l Hydraulic oil tank = 300 l Fuel tank = 300 l		Engine oil = 29 l Ad Blue = 40 l cooling liquid = 25 l Hydraulic oil tank = 300 l Fuel tank = 300 l
TYRES DIMENSIONS		29,5 - R25 ** two each axle, driving and steering		29,5 - R25 ** two each axle, driving and steering		29,5 - R25 ** two each axle, driving and steering
SAFETY		Electronic safety system which controls the load with definition of the lifted load, radius and comparison with the diagrams stored. Block of aggravating movements of the load. Safety valves on cylinders		Electronic safety system which controls the load with definition of the lifted load, radius and comparison with the diagrams stored. Block of aggravating movements of the load. Safety valves on cylinders		Electronic safety system which controls the load with definition of the lifted load, radius and comparison with the diagrams stored. Block of aggravating movements of the load. Safety valves on cylinders

HTH 10.10

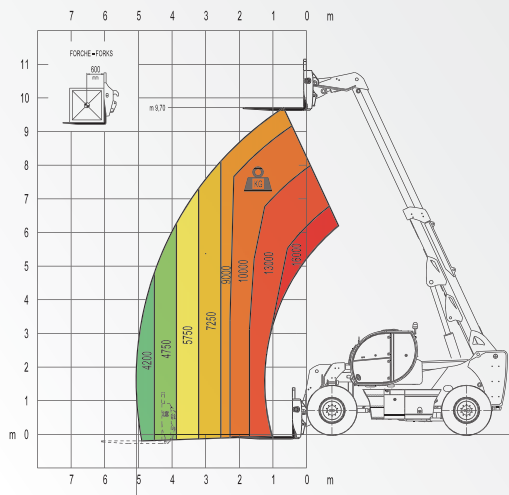


Load chart with forks

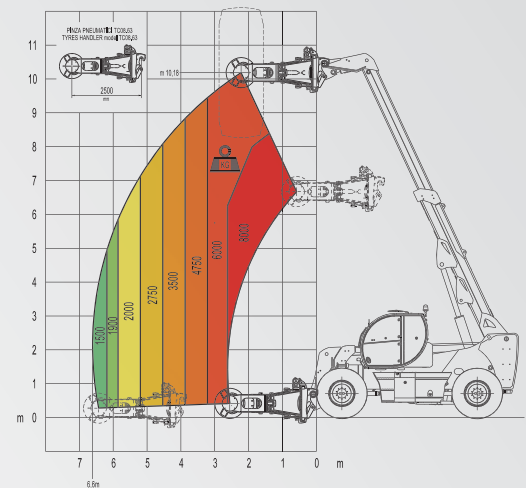


Tyres handler TC3,8-49

HTH 16.10

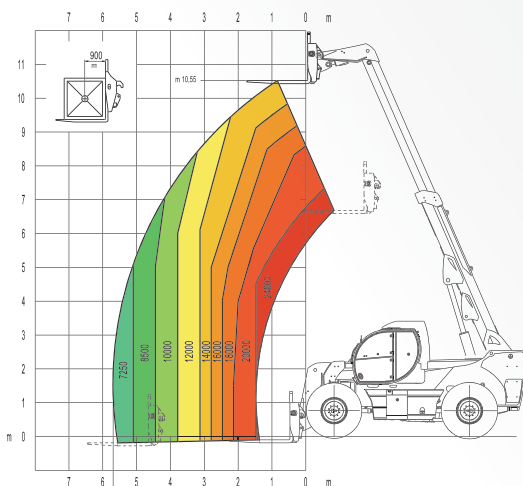


Load chart with forks

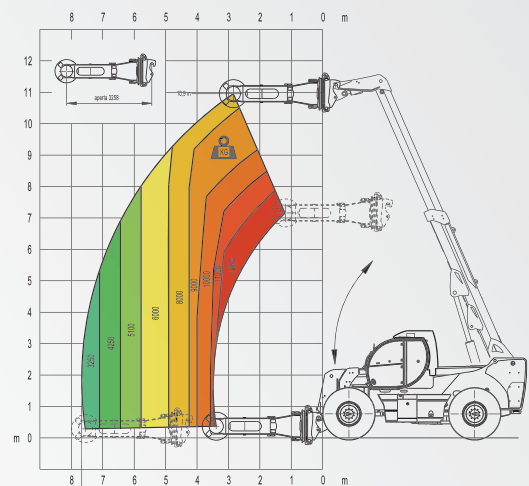


Tyres handler model TC08.63 Load chart

HTH 24.11

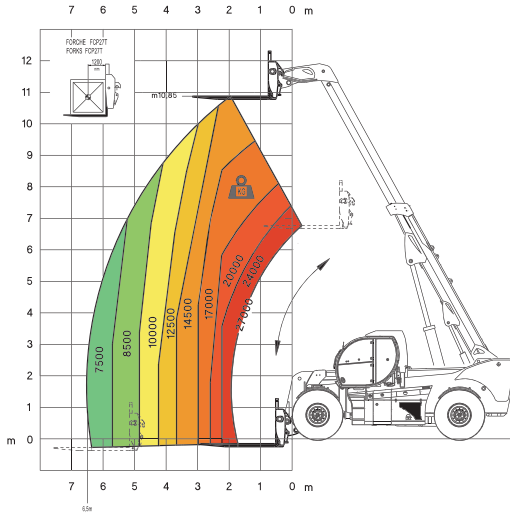


Load chart with forks

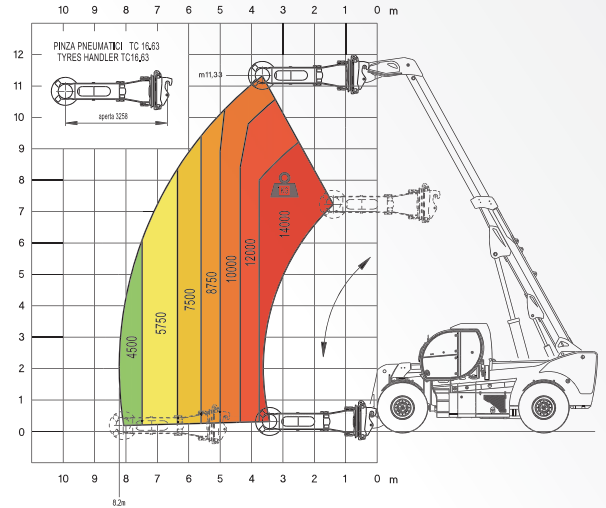


Tyres handler model TC16.63 Load chart

HTH 27.11

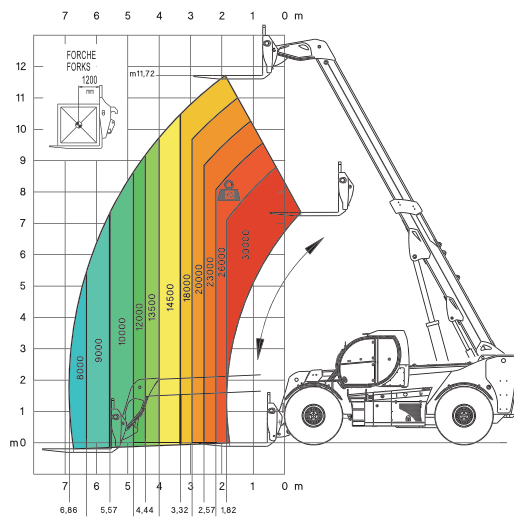


Load chart with forks

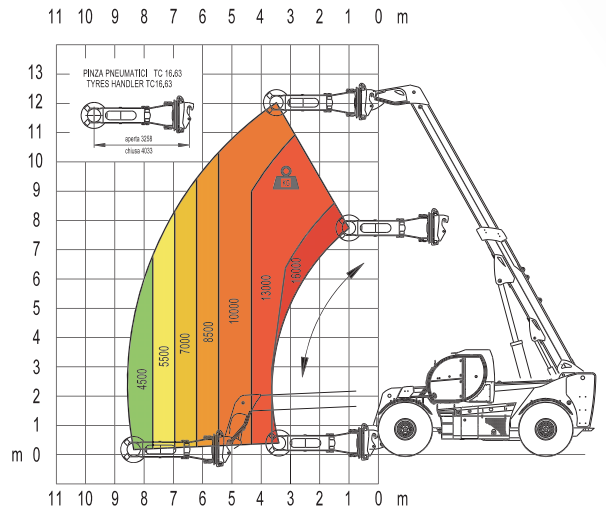


Tyres handler model TC16.63 Load chart

HTH 30.12

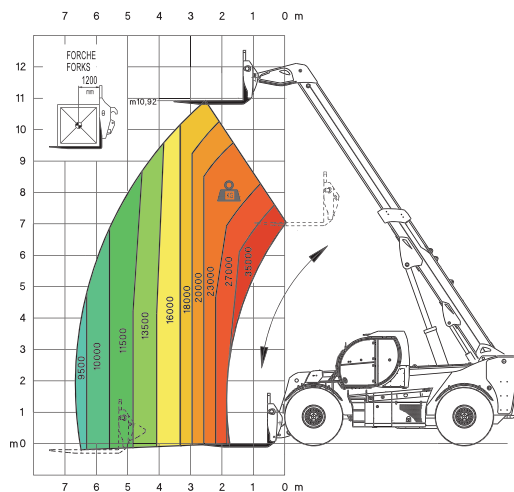


Load chart with forks

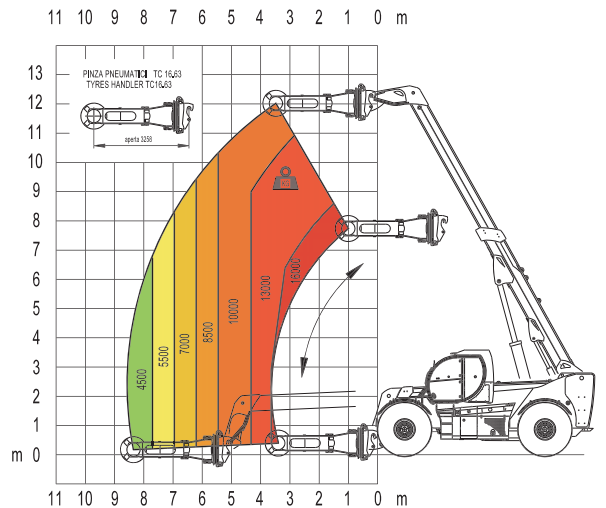


Tyres handler model TC16.63 Load chart

HTH 35.12

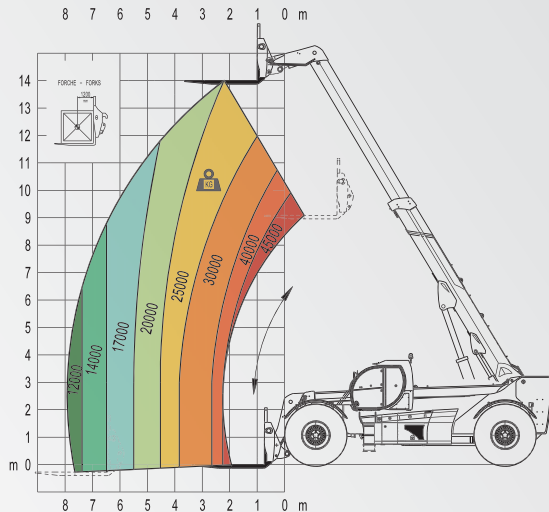


Load chart with forks

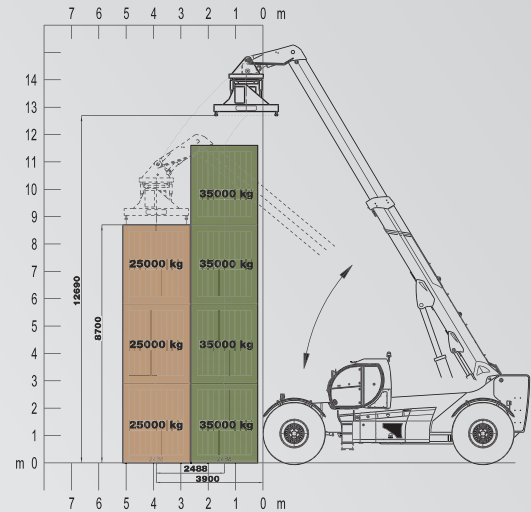


Tyres handler model TC16.63 Load chart

HTH 45.14

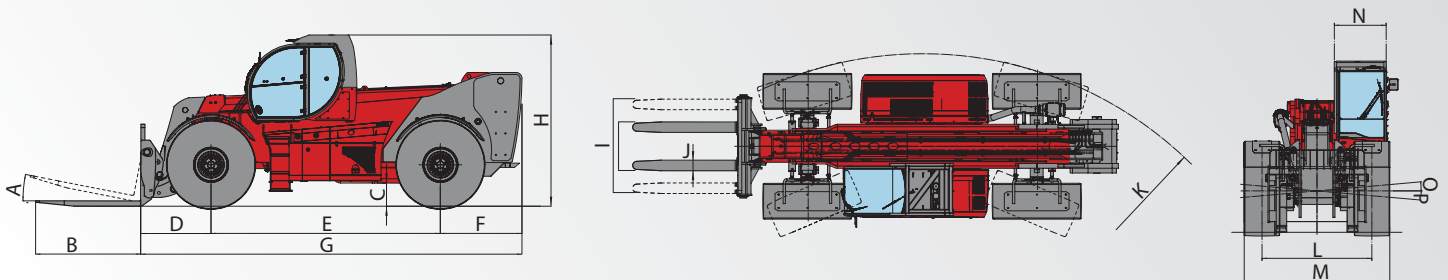


Load chart with forks



Spreader container 20-40FT Load chart

DIMENSIONS



HTH	10.10	16.10	24.11	27.11	30.12	35.12	45.14
A	12°	12°	12°	11°	11°	11°	11°
B (mm)	1200	1500	2400	2400	2400	2400	2400
C (mm)	375	450	450	403	484	484	620
D (mm)	1110	1175	1290	1332	1472	1472	1595
E (mm)	3300	4000	4000	4500	4800	4800	6900
F (mm)	1300	1214	1700	1712	1708	1708	1710
G (mm)	5710	6389	6990	7544	7980	7980	10705
H (mm)	2960	3110	2990	3432	3582	3582	3800
I (mm)	max 1740 min 820	max 2000 min 1160	max 1990 min 1250	max 2400 min 1430	max 1990 min 1360	max 2030 min 1400	on request
J (mm)	200	200	250	300	300	320	on request
K (mm)	4725	5510	5400	8225	7990	7990	9600
L (mm)	2080	2051	2470	2298	2299	2252	2560
M (mm)	2540	2550	2970	2920	3000	3000	3203
N (mm)	1030	1030	1030	1030	1030	1030	1030
O	8°	8°	10°	5°	5°	5°	5°
P	8°	8°	10°	5°	5°	5°	5°



Magni Telescopic Handlers srl

Via Magellano, 22 - 41013 Castelfranco Emilia, Modena, Italia
Tel: +39 059 8630811 - Fax: +39 059 8638012
commerciale@magnith.com - www.magnith.com

The data in this brochure are informative and subject to change without notice