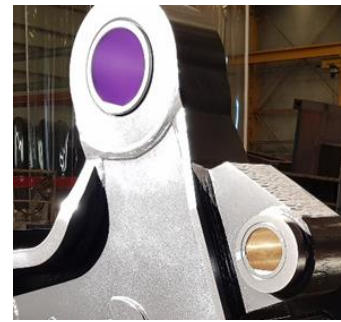


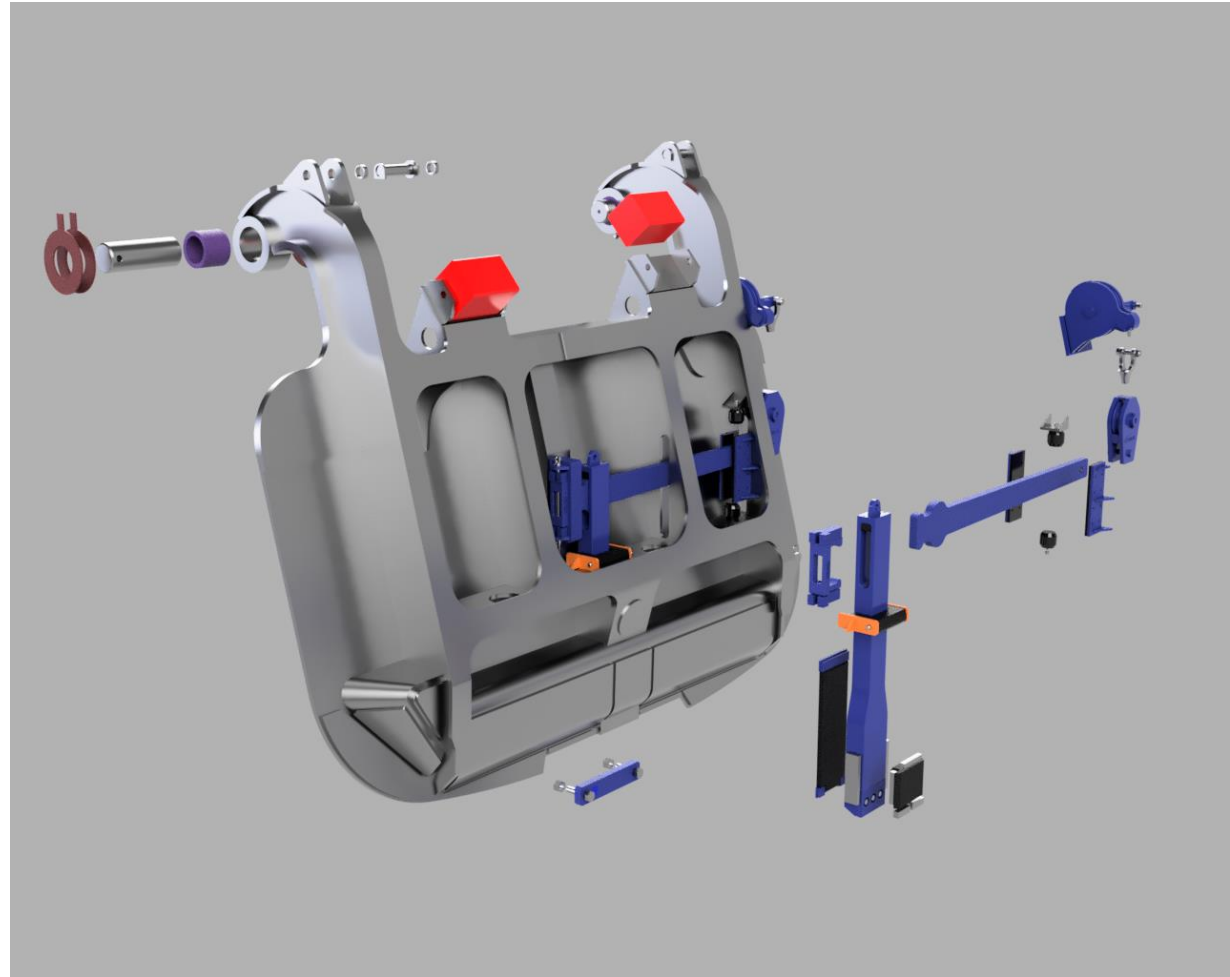
ZEMEK Engineering Pty Ltd

ROPE SHOVEL TRIP AND LATCHING SYSTEM



TRIP AND LATCHING SYSTEM

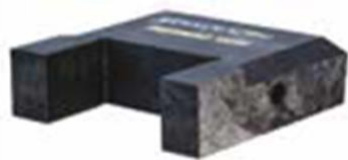
- **Predictable component life, matched to service intervals.**
- **Function and reliability of mechanism improved.**
- **Reduced machining and welding in shuts.**
- **Improved safety in maintenance.**



WEARITE POLYMER BUSHES

- Improved mechanism function
- Increased life all components
- Ease of handling and fitting - no hot work, no heavy lift

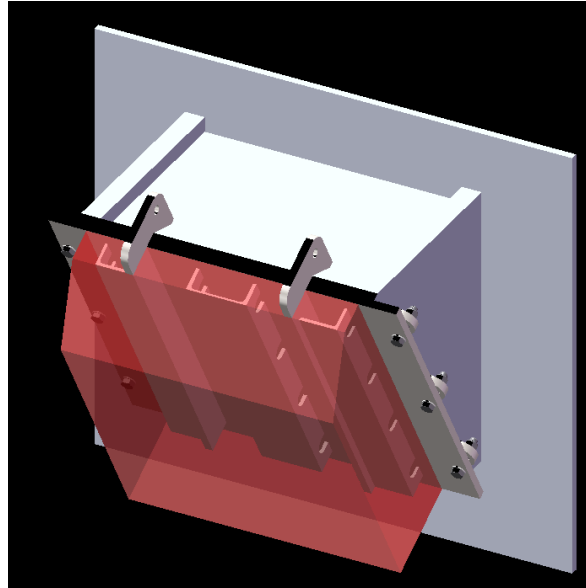




TRIP & LATCHING MECHANISM

- Use of Wearite Polymer reduces metal on metal wear
- Improved mechanism function
- Increased life all components
- Ease of handling
- Latch bar life typically 9+ months

POLYURETHANE BUFFERS AND STOPS



- Increased buffer life
- Ease of replacement





KOMATSU 4100 TRIP SHEAVES

- Revised position and geometry
- Significant increase in both rope and sheave life
- Improved sheave function



CAT 7495 TRIP SHEAVE

- Revised position and geometry
- Significant increase in both rope and sheave life
- Improved sheave function



P&H 4100 SADDLE BLOCK WEAR PLATES

- **Use of WEARITE limits wear and reduces friction**
- **Function of mechanism improved**
- **Reduced machining and welding in shuts**
- **Little or no wear on handle**
- **Overall weight reduced**
- **Reduced cost compared to OEM steel or bronze plates**





LATCHING SYSTEM MAINTENANCE SCHEDULE 4100XPB/C SHOVEL

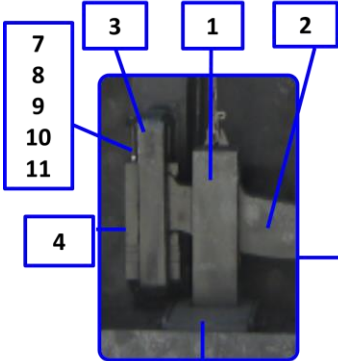
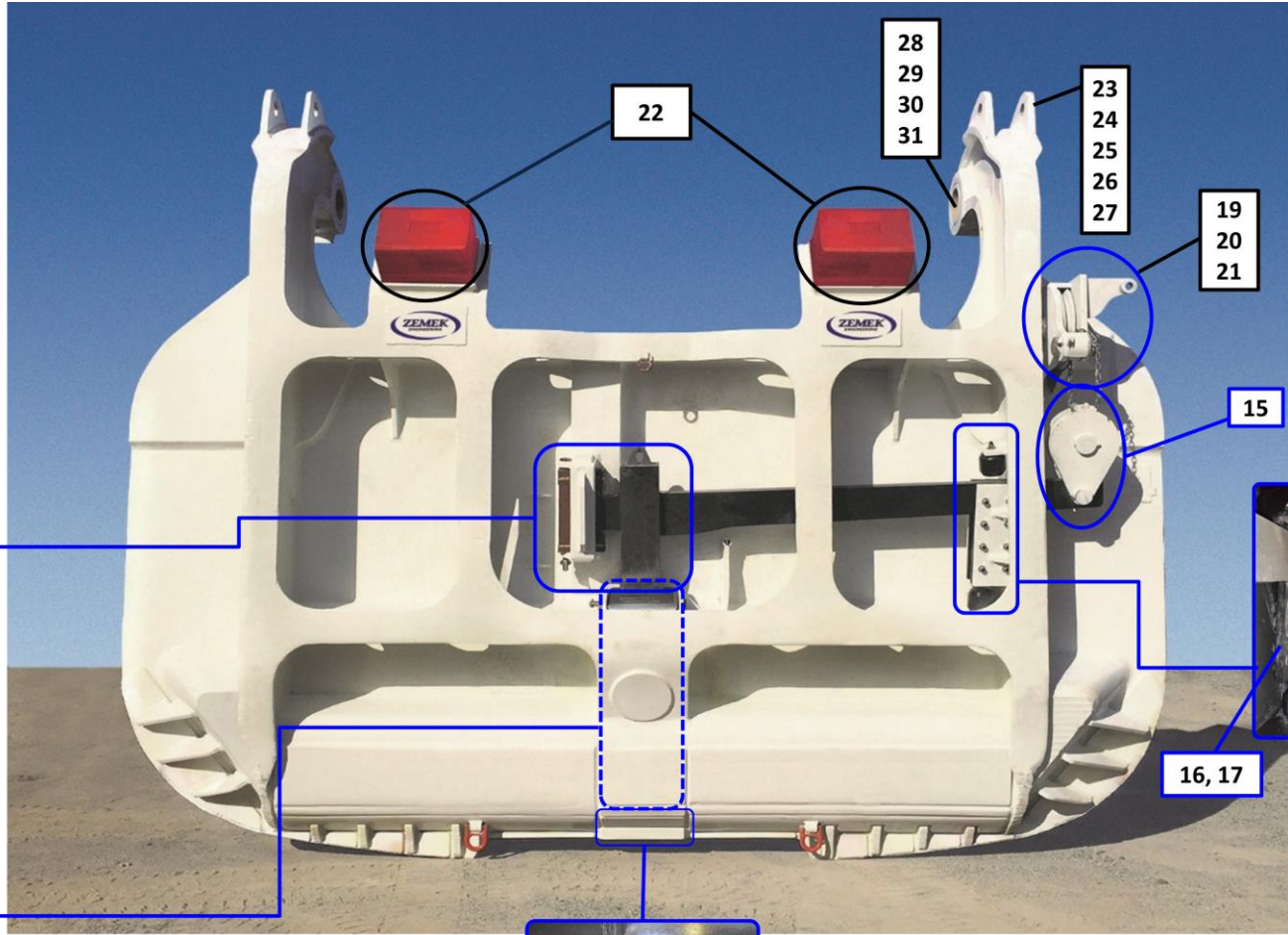
		WEEKS																							
		0	1	2	3	4	5	6	7	8	9	10	11	12	13	14	15	16	17	18	19	20	21	22	23
MAINTENANCE	New Latching	Z																							
	Insp Latching			Z	Z		Z		Z			Z		Z		Z		Z		Z		Z			
	Insp Shimbox Pin	Z		Z		Z		Z		Z		Z		Z		Z		Z		Z		Z		Z	
	Resocket Trip Rope				Z				Z			Z				Z			Z			Z			
	Roll Latch Bar Lower Insert (Keech)			Z				Z				Z				Z				Z					Z
	Replace Latch Bar Lower Insert (Keech)	Z				Z				Z				Z				Z				Z			
	Replace Nylon Latch Bar Upper Insert																								Z
	Roll Dutchman					Z				Z				Z									Z		
	Replace Dutchman Insert	Z																	Z						

Note: Re-shim to required engagement depth after each midlife/ maintenance day

Minor Service

Major Service

ZEMEK 4100XPB DOOR PACKAGE



5, 6



12, 13

14



16, 17



18



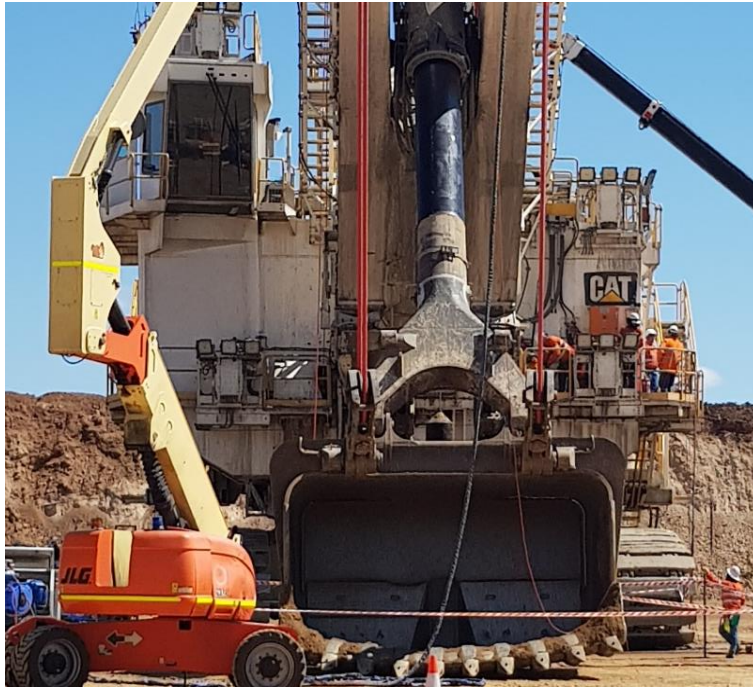
15

19
20
21

23
24
25
26
27

22

28
29
30
31



CONTACT US

ZEMEK Engineering Pty Ltd (Head Office)
11 Presto Avenue, MACKAY QLD 4740
Australia
P+ 61 7 4955 5133
sales@zemek.com.au

